

**Direct current electronic drivers with DIP-SWITCH**  
**Alimentatori elettronici in corrente continua con DIP-SWITCH**

Made in Italy

constant  
**CURRENT**

IS 15885  
(Part 2 / Sec 13)  
R - 41049751



SAA-141682-EA

**EL SELV 120V**

**RIPPLE FREE**



MP 50 K3



MP 50 BI



**Rated Voltage**  
**Tensione Nominale**  
 110 ÷ 127 V <sup>(2)</sup>  
 220 ÷ 240 V

**Frequency**  
**Frequenza**  
 50-60 Hz

**AC Operation range**  
**Tensione di utilizzo AC**  
 99 ÷ 264 V

**DC Operation range**  
**Tensione di utilizzo DC**  
 (see page info15)  
 170 ÷ 280 V

Article Articolo	Code Codice	P out W	V out DC <sup>(1)</sup>	I out DC	U out V	ta °C	tc °C	λ max. Power Factor	η max. Efficiency <sup>(1)</sup>
<b>MP 50 K3</b>	122204	25 (25 <sup>(2)</sup> )	2...74	350 mA cost.	90	-25... +50	85	0,95	>89
		35 (35 <sup>(2)</sup> )	2...72	500 mA cost.					
<b>MP 50 BI</b>	122460	39 (39 <sup>(2)</sup> )	2...72	550 mA cost.					
		46 (40 <sup>(2)</sup> )	2...72	650 mA cost.					
		50 (40 <sup>(2)</sup> )	2...71	700 mA cost.					
		50 (40 <sup>(2)</sup> )	2...66	750 mA cost.					
		50 (40 <sup>(2)</sup> )	2...58	850 mA cost.					
		50 (40 <sup>(2)</sup> )	2...55	900 mA cost.					
		50 (40 <sup>(2)</sup> )	2...48	1,05 A cost.					
		48Vout voltage limit settable with Dip-Switch - Poutmax=50W							

<sup>(1)</sup> Referred to  $V_m = 230$  V, 100% load - Riferito a  $V_m = 230$  V, carico 100%

<sup>(2)</sup> Only for **MP 50 K3**

<sup>(4)</sup> 122204BIS: order code for BIS marked product - codice di ordine per il prodotto marchiato BIS

**Power**  
**Potenza**  
 1 ÷ 50 W

**Output current ripple**  
 $\leq 3\%$  <sup>(1)</sup>

**Standards compliance**  
 CSA-C22.2 n° 107.1 <sup>(2)</sup>  
 CSA-C22.2 n° 250.13 <sup>(2)</sup>  
 EN 50172 (VDE 0108)  
 EN 55015  
 EN 61000-3-2  
 EN 61000-3-3  
 EN 61347-1  
 EN 61347-2-13  
 EN 61547  
 EN 62384  
 UL 1012 <sup>(2)</sup>  
 UL 8750 <sup>(2)</sup>

**Max. pcs for CB B16A**  
 (see page info17)  
 15 pcs

**In rush current**  
 20A 400µsec

## Features

- Multipower driver supplied with dip-switch for the selection of the output current.
- IP20 independent driver, for indoor use (MP 50 K3).
- Class II protection against electric shock for direct or indirect contact (MP 50 K3).
- Driver for built-in use (MP 50 BI).
- It can be used for lighting equipment in protection class I and II (MP 50 BI).
- Active Power Factor Corrector.
- Auxiliary output 12 V max. 100 mA.
- Current regulation  $\pm 5\%$  including temperature variations.
- Input and output terminal blocks on the same side (wire cross-section up to 2,5 mm<sup>2</sup> / AWG13).
- Clamping screws on primary and secondary circuits for cables with diameter: min. 3 mm - max. 8 mm (MP 50 K3).
- Driver can be secured with slot for screws.
- Protections:
  - against overheating and short circuits;
  - against mains voltage spikes;
  - against overloads.
- Thermal protection = C.5.a.

## Caratteristiche

- Alimentatore multipotenza fornito di dip-switch per la selezione della corrente in uscita.
- Alimentatore indipendente IP20, per uso interno (MP 50 K3).
- Protetto in classe II contro le scosse elettriche per contatti diretti e indiretti (MP 50 K3).
- Alimentatore da incorporare (MP 50 BI).
- Utilizzabile per apparecchi di illuminazione in classe di protezione I e II (MP 50 BI).
- PFC attivo.
- Uscita ausiliare 12 V max. 100 mA.
- Corrente regolata  $\pm 5\%$  incluse variazioni di temperatura.
- Morsetti di entrata e uscita sullo stesso lato (sezione cavo fino a 2,5 mm<sup>2</sup> / AWG13).
- Serracavo su primario e secondario per cavi di diametro: min. 3 mm - max. 8 mm (MP 50 K3).
- Fissaggio dell'alimentatore tramite asole per viti.
- Protezioni:
  - termica e cortocircuito;
  - contro le extra-tensioni di rete;
  - contro i sovraccarichi.
- Protezione termica = C.5.a.

**7 YEARS WARRANTY**  
 3% FAILURE RATE

**10 YEARS WARRANTY**  
 5% FAILURE RATE

PRODUCER'S LIABILITY

POWERED WITH ELECTRONICS  
 10 YEARS WARRANTY TO YEARS  
 ACCORDING TO THE EUROPEAN CONDITIONS

**Direct current electronic drivers with DIP-SWITCH**  
**Alimentatori elettronici in corrente continua con DIP-SWITCH**

Made in Italy



**IP 20**



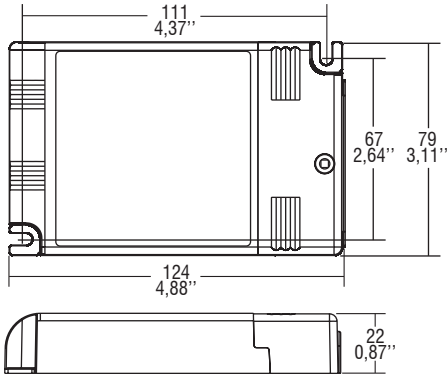
**SCREW FIXING**

Ø84  
3,31"



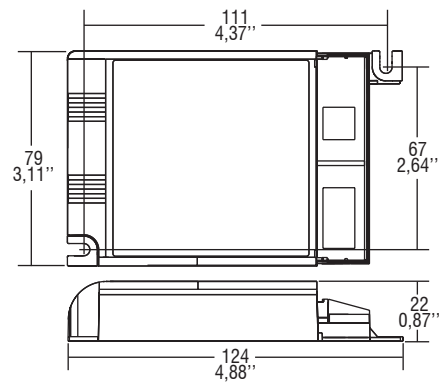
Weight - Peso gr. 205 / 7,2 oz.  
Pcs - Pezzi 50

Compatible with ZHAGA (AM3)

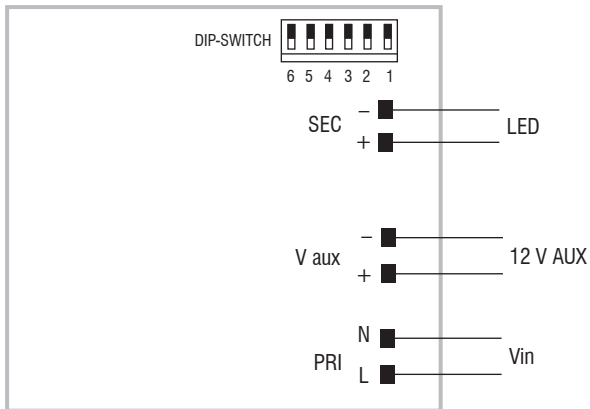


Weight - Peso gr. 189 / 6,7 oz.  
Pcs - Pezzi 50

Compatible with ZHAGA (AM3)



**Wiring diagram - Schema di collegamento** (Max. LED distance on page info8 - Massima distanza LED a pagina info8)



**2.1**

Multipower DIP-SWITCH drivers - Compact case  
 Alimentatori multipotenza con DIP-SWITCH - Formato compatto