

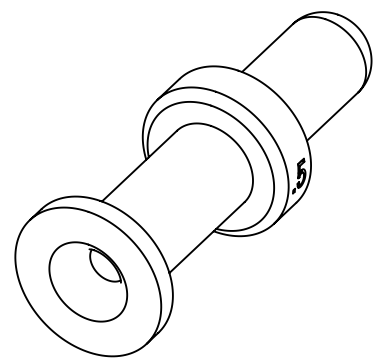
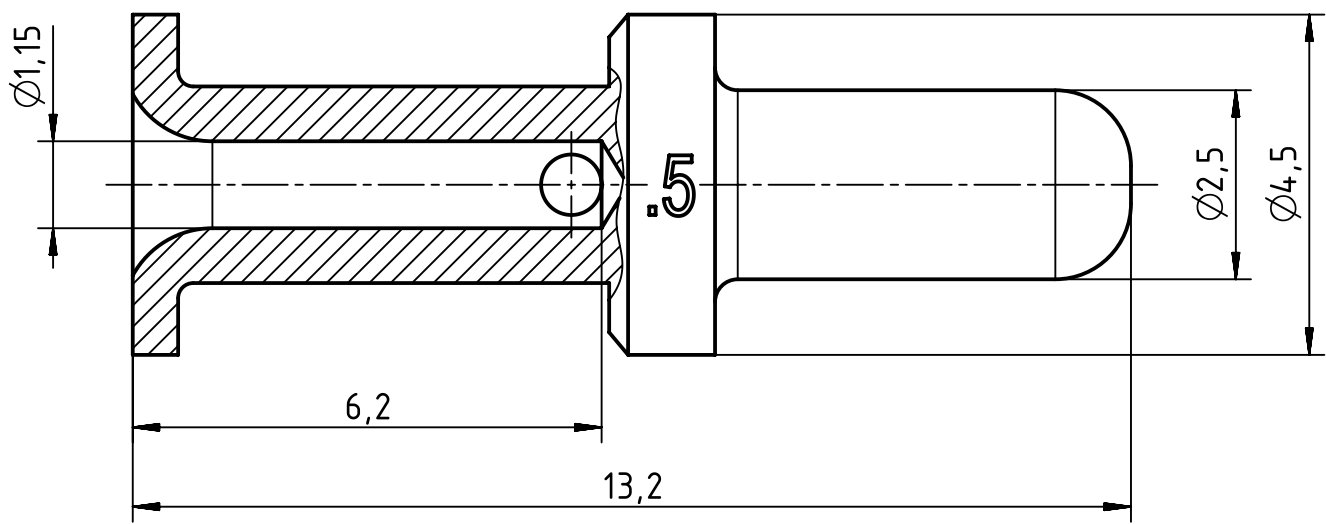
1 2 3 4 5 6

A


B

C

D



wire gauge: 0,5mm² / AWG 20
 stripping length: 6,5mm
 coating: silver plated

	All rights reserved Department EL PD - DE	Created by HOLLERT	Inspected by RIEPE	Standardisation TIEMANNA	Date 2013-11-28	State Final Release	
	HARTING Electric GmbH & Co. KG D-32339 Espelkamp	Title Han-Yellock Crimp contact male 0.5mm ²				Doc-Key / ECM-Nr. 100177922/UGD/006/B 500000068615	
		Type TB	Number 11 05 000 6102			Rev. B	Page 1/1