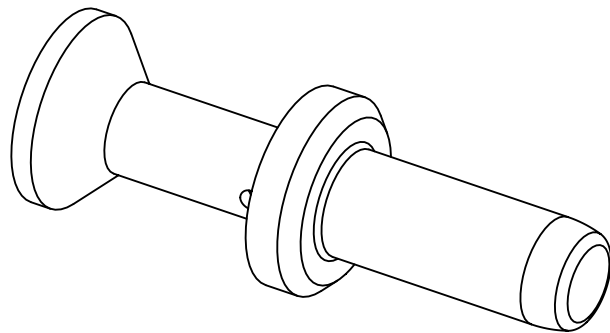






assembly notes see catalog
 crimp zone acc. to DIN EN 46235; indicator 8
 for stranded fine wire acc. to VDE 0295 class 5/IEC 60228 class 5
 wire gauge: 16mm²
 stripping length: 22mm



	All Dimensions in mm Original Size DIN A4		Scale 2:1	Free size tol.		Ref.		
			Created by HELLMANN	Inspected by NICHTERLEIN	Standardisation SAP_WFRT	Date 2022-10-07	State Final Release	
		All rights reserved Department EL PD	Title Han TC250 male contact 16mm ²				Doc-Key / ECM-Nr. 100641991/UGD/002/B 500000224.832	
		HARTING D-32339 Espelkamp	Type TB	Number 09 11 000 6185			Rev. B	Page 1/1