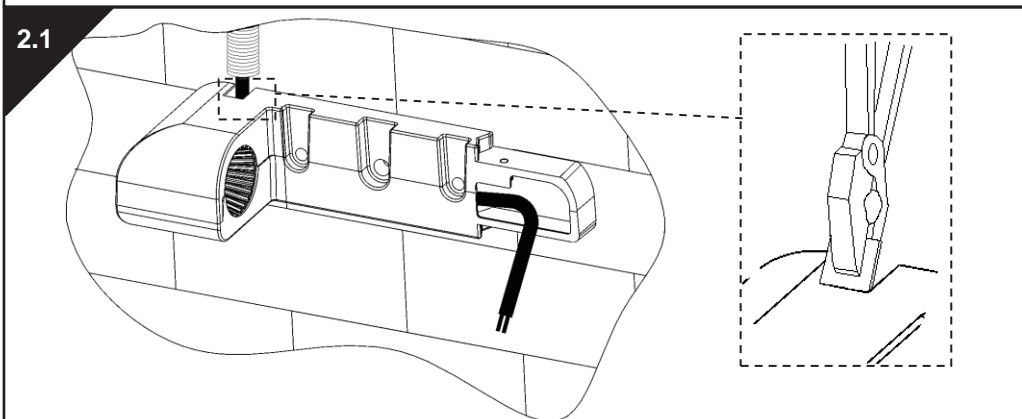
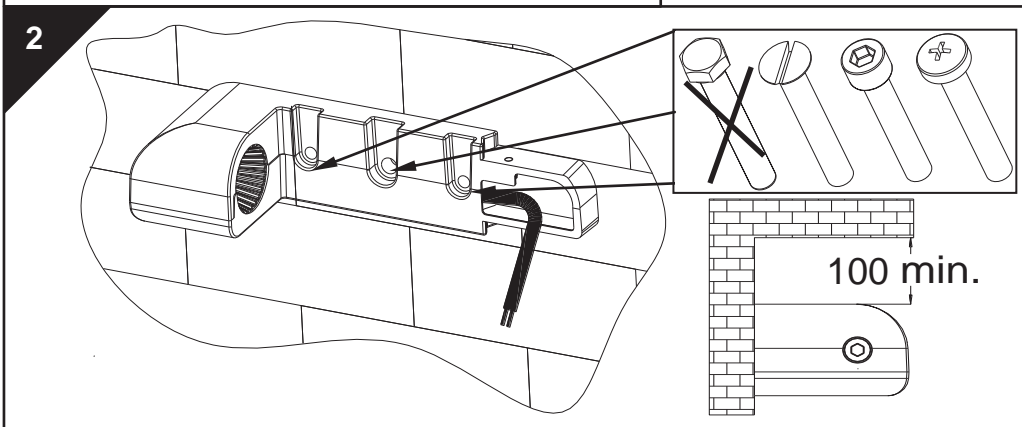
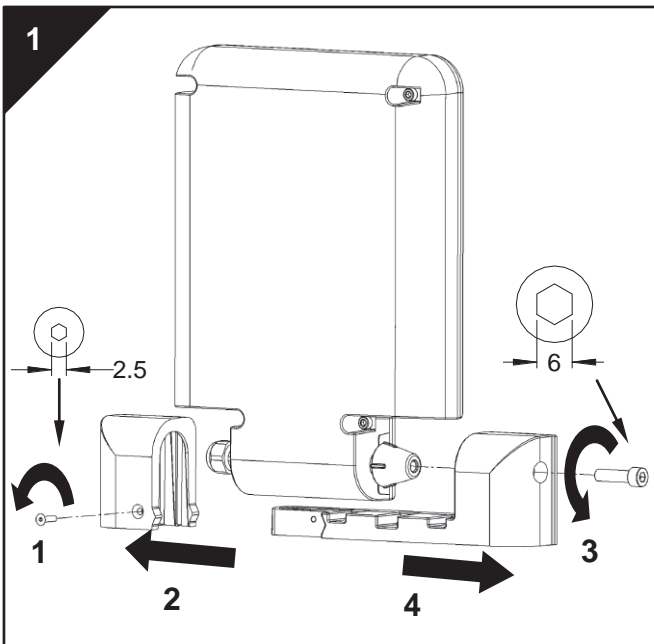


[CZ] Montážní návod	[LT] Montavimo Instrukcijos	[NO] Monteringsanvisning
[DE] Montageanleitung	[LV] Instalācijas instrukcija	[PL] Instrukcja montażu
[DK] Monteringsvejledning	[FR] Notice de montage	[RU] Инструкция по монтажу
[EE] Paigaldusjuhend	[HU] Szerelési útmutató	[SE] Installationsanvisning
[FI] Asennusohje	[IT] Istruzioni di montaggio	[UK] Installation Instructions



SCX = 0,07 m²
 Kg = 3.0 Kg

CL. II
 CL. I

IP66 IK08
 Ta +25°C

<p>Gruppo di Rischio Esente secondo norma EN 62471:2008 alla distanza di :</p> <ul style="list-style-type: none"> - 2100 mm con Lente Stradale (500lx) - 1000 mm con Lente A/D <p>Gruppo di Rischio "1" secondo norma EN 62471:2008 alla distanza di :</p> <ul style="list-style-type: none"> - 1000 mm con lente ROC 	<p>Risk category Exempt according to the EN 62471:2008 norm, at a distance of :</p> <ul style="list-style-type: none"> - 2100 mm with Street Lens (500lx) - 1000 mm with Asymmetrical Lens <p>Risk category "1" according to the EN 62471:2008 norm, at a distance of :</p> <ul style="list-style-type: none"> - 1000 mm with ROC lens
--	---

