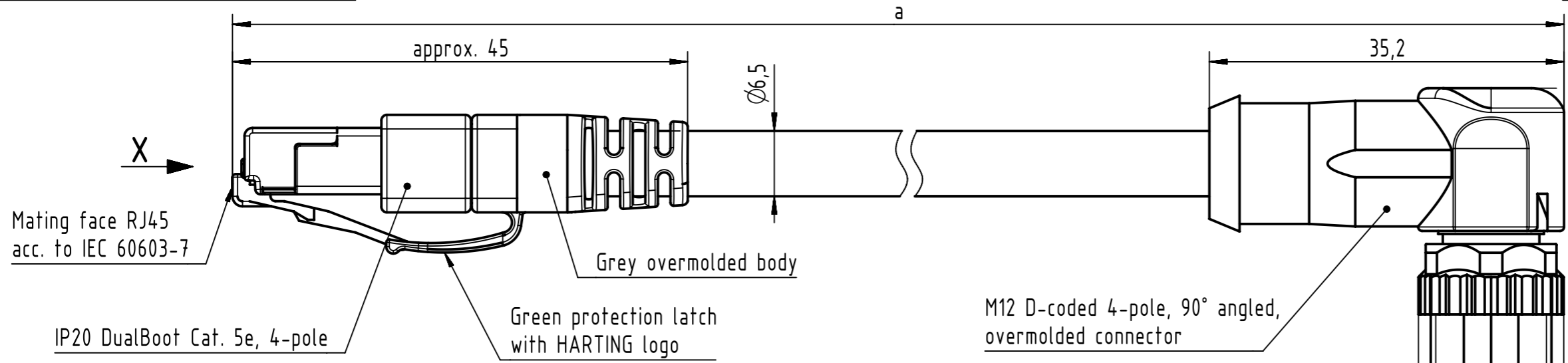


Connector Location A

Connector Location B



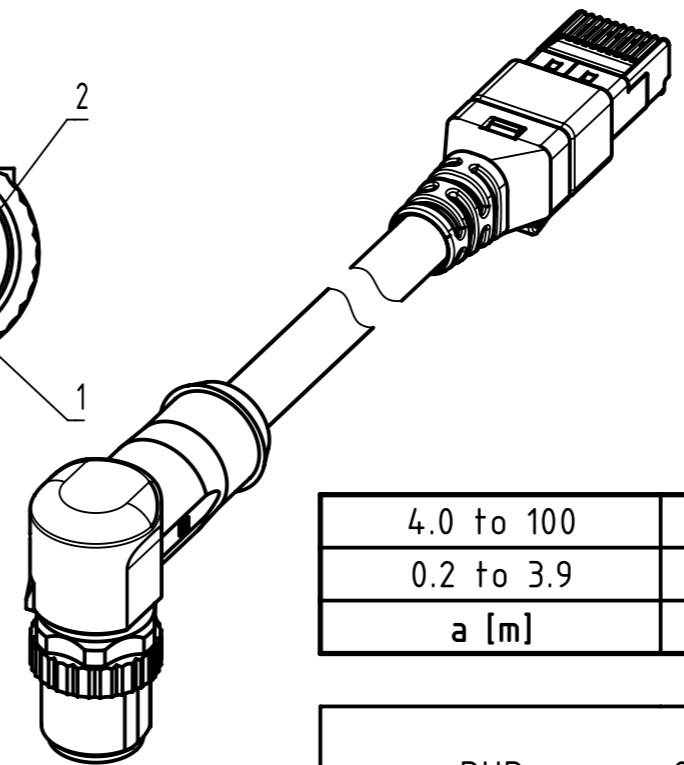
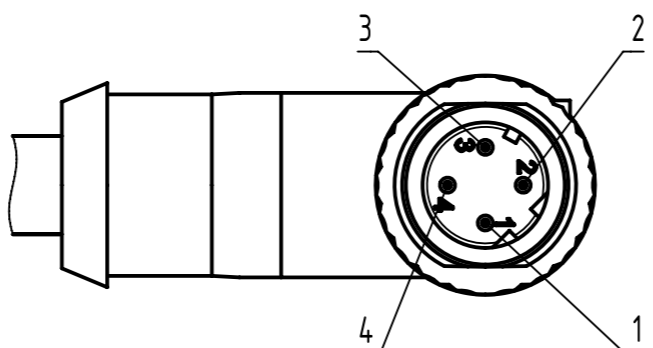
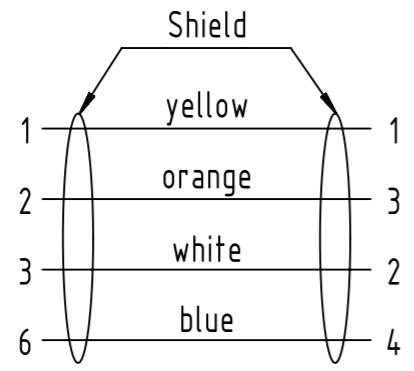
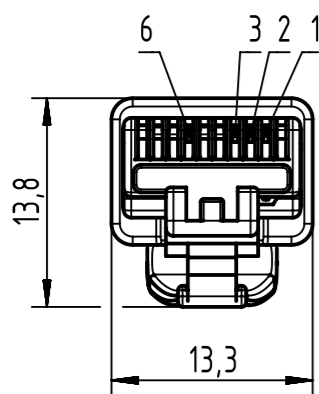
Mating face acc. to IEC 61076-2-101

M12x1  
Ø14,5

X male

Loading-Plan:

Y male



length in "1m" step	100	XXX=000
	99	XXX=990
	12	XXX=120
	11	XXX=110
length in "0.1m" step	10	XXX=100
	9.9	XXX=099
	9.8	XXX=098
	0.5	XXX=005
	0.4	XXX=004
	0.3	XXX=003
	0.2	XXX=002
Step	a [m]	XXX

4.0 to 100	±1%
0.2 to 3.9	+0.04
a [m]	Tolerance

PUR, green, 2x2xAWG22	09486883018XXX
Type of cable	Part no.

**NOTE:**  
 For lengths < 1.0m:  
 - relative positioning of the connectors to each other shall be as presented in the drawing, however with an admissible angular deviation around cable axis of ± 30°  
 For lengths ≥ 1.0m:  
 -relative positioning of the connectors to each other not obligatory

- Temperature range: -25°C ... +60°C

All rights reserved Department HCS - RO HARTING Customised Solutions D-32339 Espelkamp	All Dimensions in mm Tech. Character. Free size tol. According to production drawing	Created by COSTEA	Inspected by STOCHECIC	Standardisation MUNTEANV	Date 2018-10-12	State Final Release
	Title RJ45 -M12 D-COD st/an m/m PUR	Type TB	Number 09486883018XXX	Doc-Key / ECM-Nr. 100802492/UGD/045/A 500000141236	Rev. A	Page 1/1