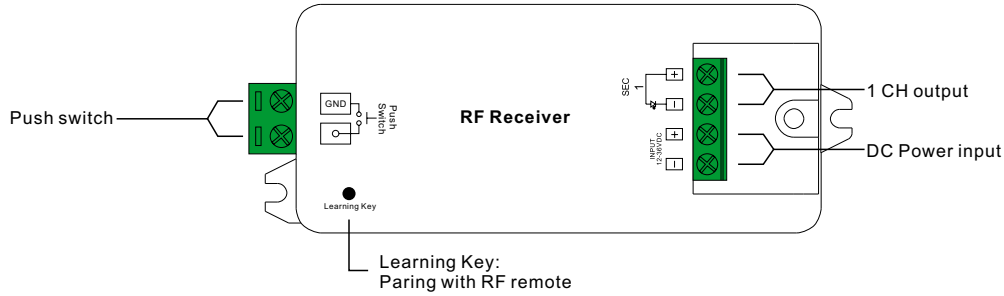


Important: Read All Instructions Prior to Installation

Function introduction



Product Data

Input Voltage	Output Current	Output Power	Remarks	Size(LxWxH)
12-36VDC	1x10A	1x(120-360)W	Constant voltage	95x37x20mm

- Radio Frequency : 868/869.5/916.5/434mhz
- Waterproof grade: IP20

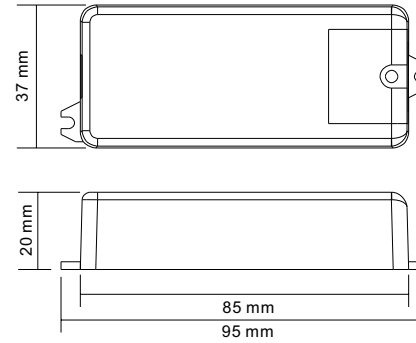
Pair/delete the pairing with RF remote

1. Do wiring according to connection diagram.
2. Pair RF Receiver with RF remote: please refer to the instruction of the remote that you would like to pair with.
3. Delete the pairing:
 - (1) Wire up the RF receiver correctly, power on.
 - (2) Press and hold down the “ **Learning Key** ” button on receiver for over 3 seconds until the connected light flashes, which means well deleted.

PUSH DIM:

While connected with PUSH LV, click the button to switch ON/OFF lights. Press and hold down the button to increase/decrease light intensity.

Product Dimension



The Light Group AS, Sagmyra 2A, 4624 Kristiansand, Norway

Safety & Warnings

- DO NOT install with power applied to device.
- DO NOT expose the device to moisture.

Wiring Diagram

