

1 2 3 4 5 6

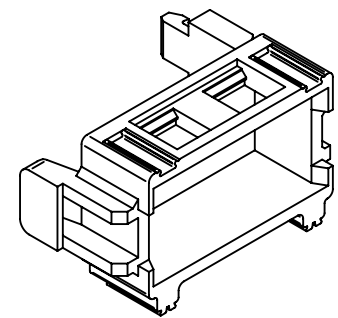
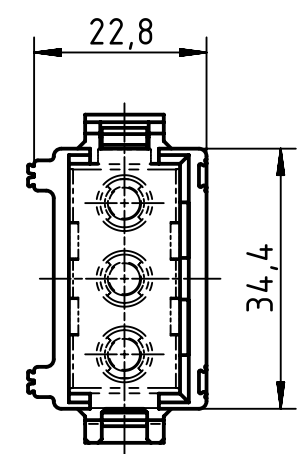
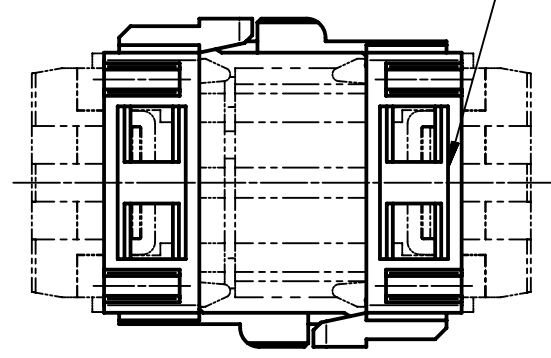
A

B


C

D

for Identification strip 9x20



useable for all single modules width 14,7

	All Dimensions in mm Original Size DIN A4	Scale 1:1	Free size tol.			Ref.
	All rights reserved Department EL PD - DE	Created by HARLASSK	Inspected by GERB	Standardisation RUETERA	Date 2015-08-05	State Final Release
HARTING Electric GmbH & Co. KG D-32339 Espelkamp		Title Module clamp w/o strain relief (2pcs/PU)				Doc-Key / ECM-Nr. 100086557/UGD/004/A 500000092832
		Type TB	Number 09 14 000 0301			Rev. A
					Page 1/1	