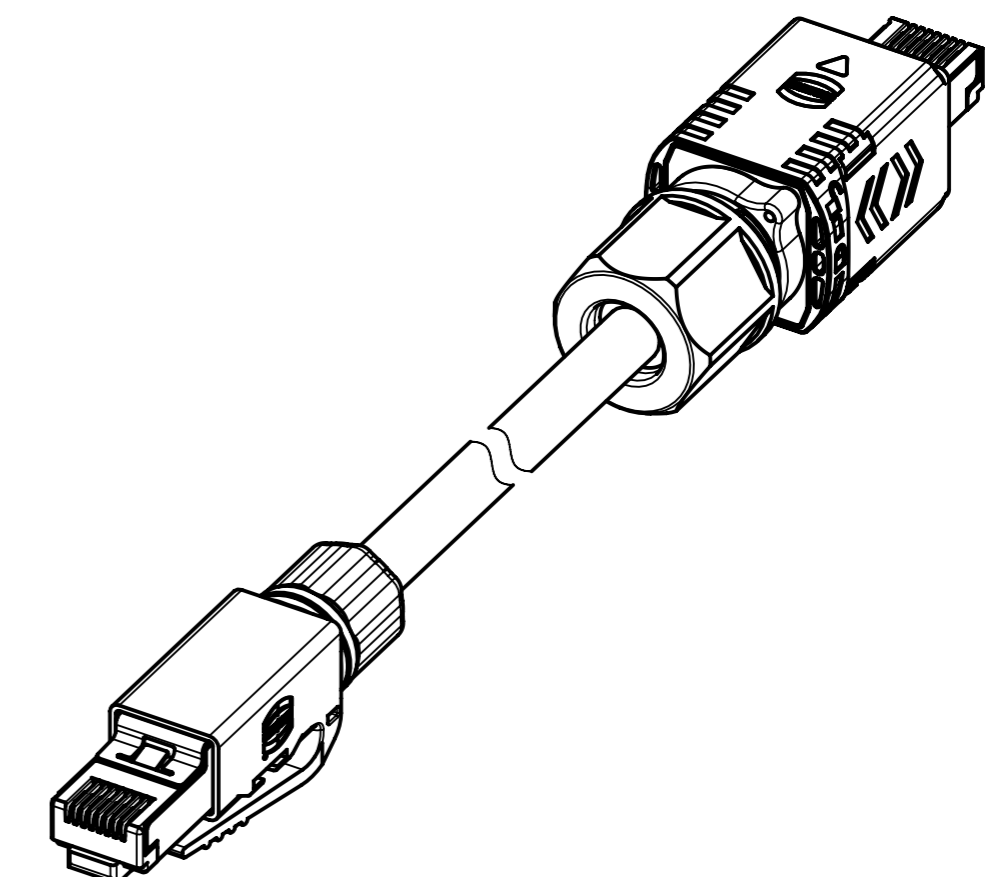
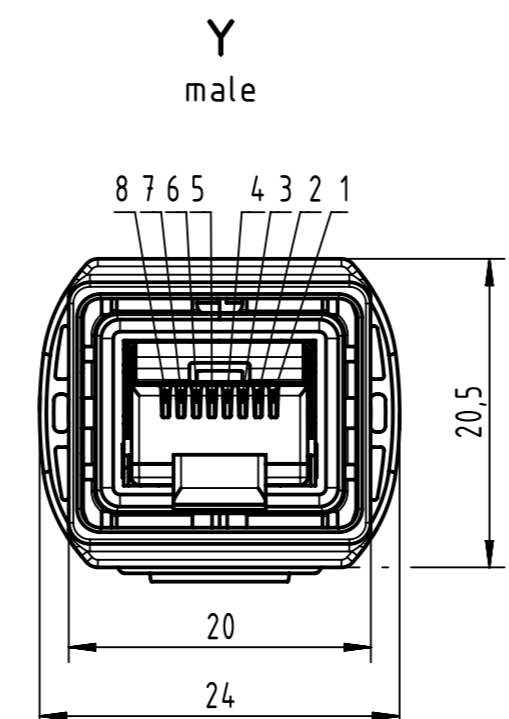
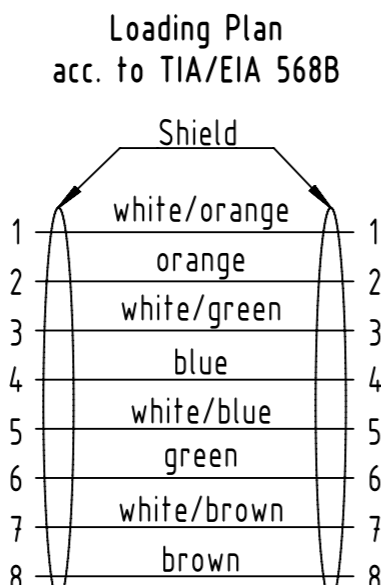
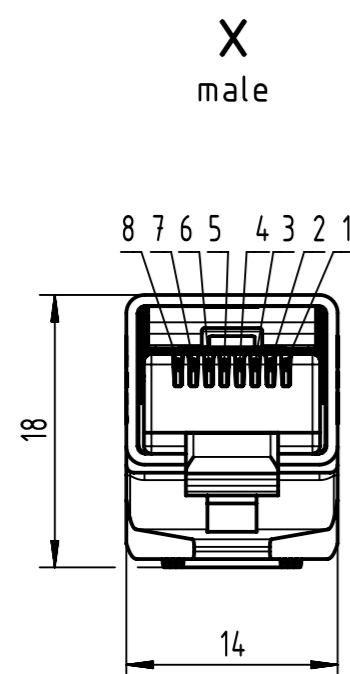
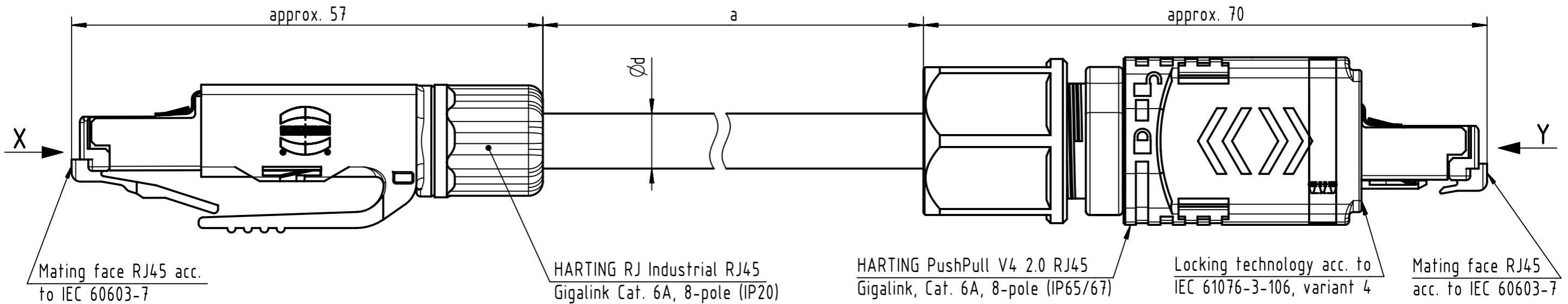


Connector Location A


Connector Location B



Temperature range:
 - Fixed installation: -20°C ... +80°C
 - Dynamic installation: -20°C ... +80°C

All Dimensions in mm		Tech. Character.		Free size tol.		According to production drawing	
	All rights reserved		Created by 405181 Hadar	Inspected by 402676 Gross	Standardisation COSTEA Costea	Date 2021-11-12	State Final Release
	Department HCS - RO		Title RJ Industrial Cable Assembly				Doc-Key / ECM-Nr. 100121364/UGD/011/N 500000205994
HARTING Customised Solutions D-32339 Espelkamp			Type TB	Number 09457011YYY		Rev. N	Page 1/2

1	2	3	4	5	6	7	8
A	36	09457011523	HARTING IE Cat.6A 4x2xAWG 26/7 PVC yellow	100*	6.6	NOTE: * Cat.6A 10 Gbit/s Ethernet transmission possible for lengths up to 45m	
	35	09457011525		70*			
	34	09457011522		50*			
	33	09457011524		30			
	32	09457011521		25			
	31	09457011514		20			
	30	09457011513		15			
B	29	09457011512		10			
	28	09457011519		9			
	27	09457011518		8			
	26	09457011517		7			
	25	09457011520		6			
	24	09457011511		5			
	23	09457011516		4			
C	22	09457011510		3			
	21	09457011526		2.5			
	20	09457011515		2			
	19	09457011509	1.5				
	18	09457011508	1				
	17	09457011507	0.5				
D	16	09457011118	RJl Ethernet Stranded Cable 4x2xAWG 26/7, outdoor, PVC, Cat. 5, black	50	6.7		
	15	09457011117		35			
	14	09457011116		20			
	13	09457011115		15			
	12	09457011114		10			
	11	09457011113		9			
	10	09457011112		8			
	9	09457011111		7			
E	8	09457011110		6			
	7	09457011109		5			
	6	09457011108		4			
	5	09457011107	3				
	4	09457011106	2				
	3	09457011105	1.5				
	2	09457011104	1				
F	1	09457011103	0.5				
	Cont. no.	Part no.	Type of cable	Dim. a[m]	Dim. d[mm]		

	All rights reserved Department HCS - RO	Created by 405181 Hadar	Inspected by 402676 Gross	Standardisation COSTEA Costea	Date 2021-11-12	State Final Release	Doc-Key / ECM-Nr. 100121364/UGD/011/N 500000205994
HARTING Customised Solutions D-32339 Espelkamp		Title RJ Industrial Cable Assembly		Type TB	Number 09457011YYYY	Rev. N	Page 2/2