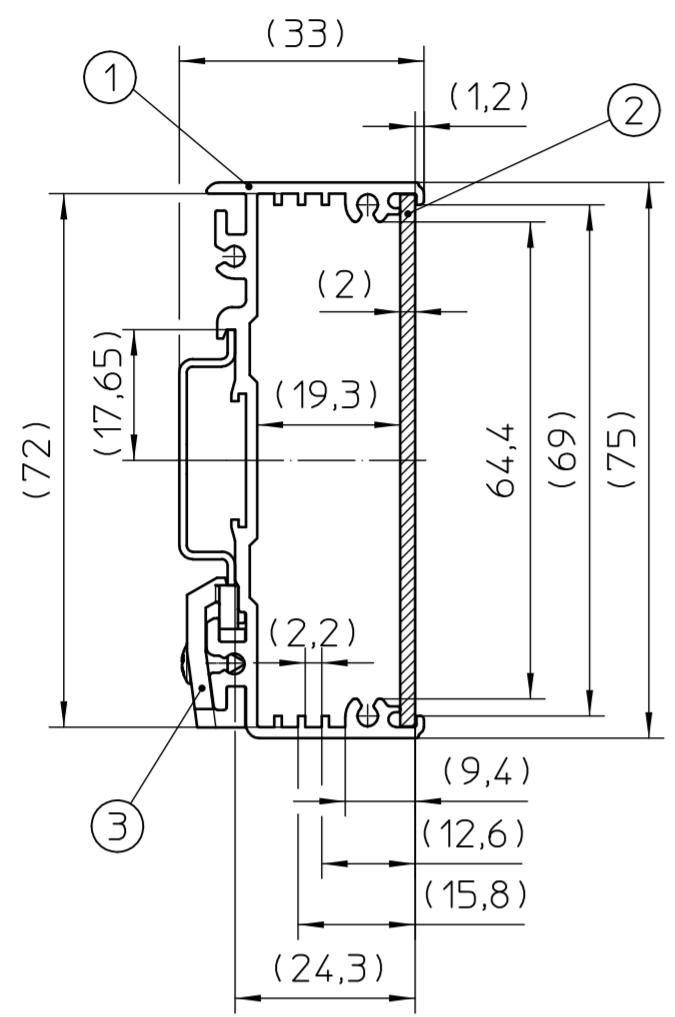
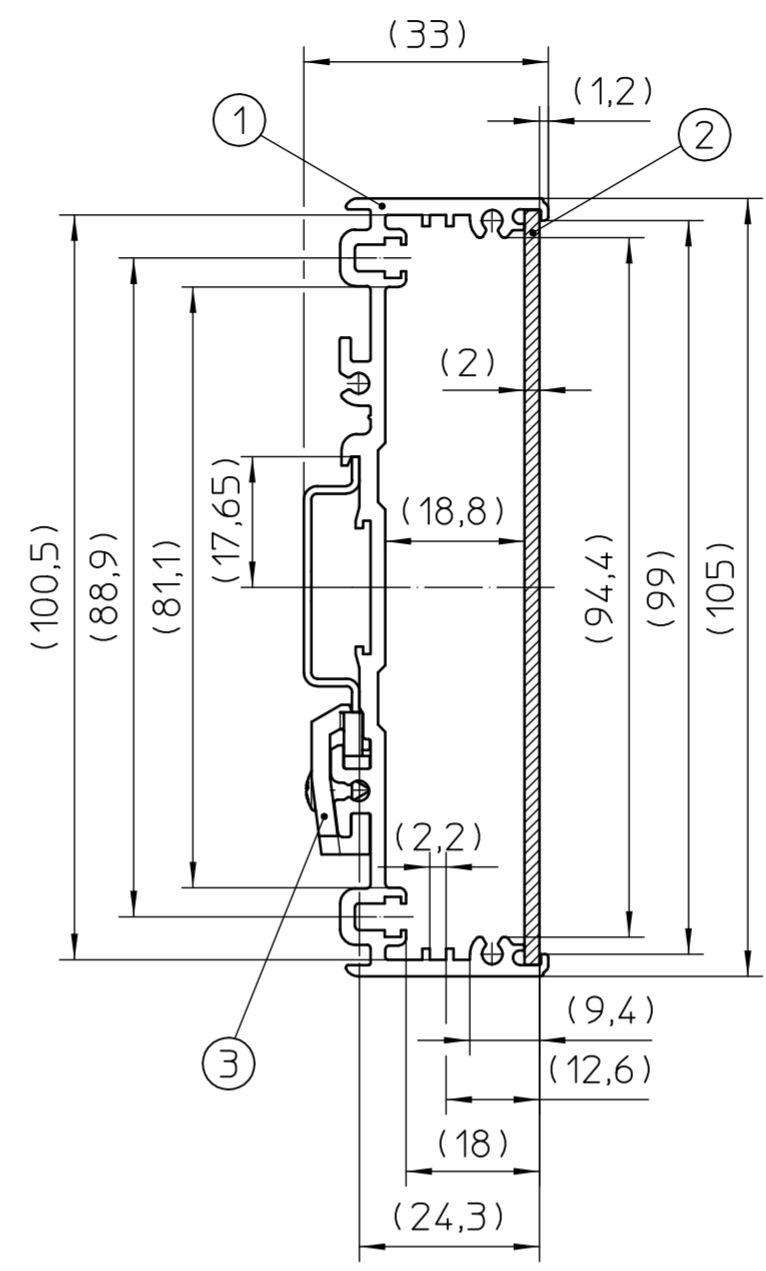


UM-ALU 4-72...



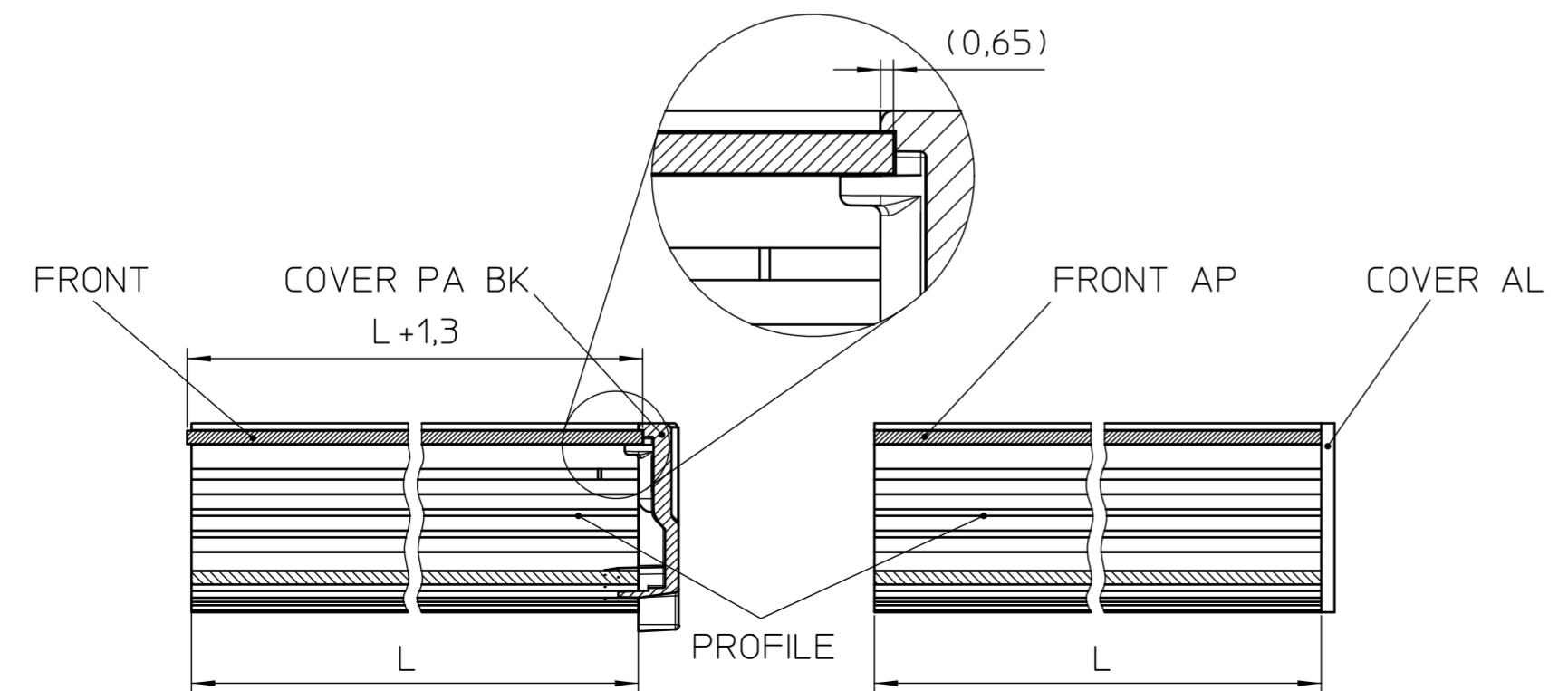
Description			
Product	Distance	Type	Length (L)
UM-ALU 4-	72	PROFILE	42,5
		FRONT AP	42,5
		FRONT	43,8
		PROFILE	60
		FRONT AP	60
		FRONT	61,3
		PROFILE	95
		FRONT AP	95
		FRONT	96,3
		PROFILE	130
		FRONT AP	130
		FRONT	131,3
		PROFILE	165
		FRONT AP	165
		FRONT	166,3
		PROFILE	200
		FRONT AP	200
		FRONT	201,3
		PROFILE	235
		FRONT AP	235
		FRONT	236,3
		PROFILE	990
		FRONT AP	990
		FRONT	991,3

UM-ALU 4-100,5...



Description			
Product	Distance	Type	Length (L)
UM-ALU 4-	100,5	PROFILE	42,5
		FRONT AP	42,5
		FRONT	43,8
		PROFILE	60
		FRONT AP	60
		FRONT	61,3
		PROFILE	95
		FRONT AP	95
		FRONT	96,3
		PROFILE	130
		FRONT AP	130
		FRONT	131,3
		PROFILE	165
		FRONT AP	165
		FRONT	166,3
		PROFILE	200
		FRONT AP	200
		FRONT	201,3
		PROFILE	235
		FRONT AP	235
		FRONT	236,3
		PROFILE	990
		FRONT AP	990
		FRONT	991,3

Assembly example:
 PROFILE with FRONT and COVER PA BK
 PROFILE with FRONT AP and COVER AL



- General information
- simplified representation
 - document excluded from change process
 - CAD Data see Download-Center on www.phoenixcontact.com
 - Distance: nominal distance between the PCB guidances
 - Length (L): Tolerance $\pm 0,2$

UM-ALU 4 PROFILE/FRONT			
Pos.	QTY	Description	Material
1	1	PROFILE	AL
2	1	FRONT	AL
3	1	FOOT	AL

	document-No. / RI	date	scale
	00707665 / 01	07.10.2021	1:1
	ident.-No.	document-type	
	1348793	TECDOC 2D_Productdrawing	
page 1 of 1	description		
	UM-ALU 4-72 PROFILE 66		

Transfer or duplication of this document as well as the utilisation or communication of its content are not permitted unless express consent is granted. Violations give rise to claims for damages. All rights reserved in case of patent, utility model or design patent registrations.

Weitergabe sowie Vervielfältigung dieses Dokuments, Verwertung und Mitteilung seines Inhalts sind verboten, soweit nicht ausdrücklich gestattet. Zuwiderhandlungen verpflichten zu Schadensersatz. Alle Rechte für den Fall der Patent-, Gebrauchsmuster- oder Designeintragung vorbehalten.