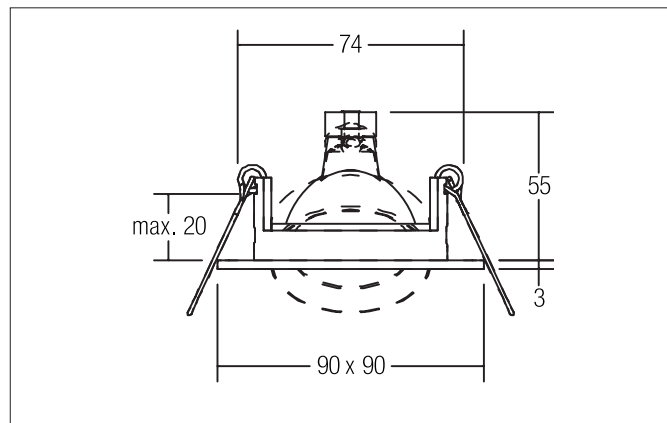


Recessed spot, GX5,3

Article no. 20355150

Light.
For Generations.**Tender**

Recessed spot, GX5,3, nickel, Square. In a compact design, for installation in tool-less rapid assembly systems. Lamp holder: GX5.3, Mounting method: Recessed mounting, Place of installation: Ceiling-mounted, Material: Aluminium, Degree of protection: according to DIN EN 60529 IP20, Protection class: (EN 61140) III, Voltage: 12V, Power: 50W, Amount of light sources / fittings: 1.0 Qty, Adjustability: Pivoted, With control gear: No, Dimmable: Depending on type of control gear, Control: Dimming depending on driver.

Article data	
Article no.	20355150
GTIN	4251433918233
Short description	Recessed spot, GX5,3
Material	Aluminium
Colour	Nickel
Type of surface	Matt
Shape	Square
Built-in diameter	74 mm
Installation depth	55 mm
Height	3 mm
Weight	0.156 kg

Lighting technology	
Light output	Direct
Light sharing	Symmetric

Recessed spot, GX5,3

Article no. 20355150

Light.
For Generations.

Operating technology of the luminaire	
System output	50 W
Voltage type	AC/DC
AC nominal voltage max	12 V
Frequenz max.	50 Hz
Lamp	for LED-retrofill lamp
Lamp holder	GX5.3
Protection class	III
Degree of protection	IP20
Dimmable	Depending on type of control gear
Control	Dimming depending on driver
Bulb change possible	Yes

Mounting technology	
Mounting method	Recessed mounting
Place of installation	Ceiling-mounted
Adjustability	Pivoted
Swivel angle	40°
Max. ceiling thickness	20 mm
Further references	No cover with thermal insulation material
Material cover	Without cover
Circlip	Without circlip

Packing data	
Gross weight	0.187 kg
Length of packaging	145 mm
Packaging width	100 mm
Packaging height	60 mm
Disposal at end of life	This product must not be disposed of with household waste. You are obliged, to dispose of such electrical waste separately. By disposing of electrical waste and other old or defective electronics separately, you support recycling or other forms of re-use. In that way you help to take care and to avoid that harmful substances get into the environment.