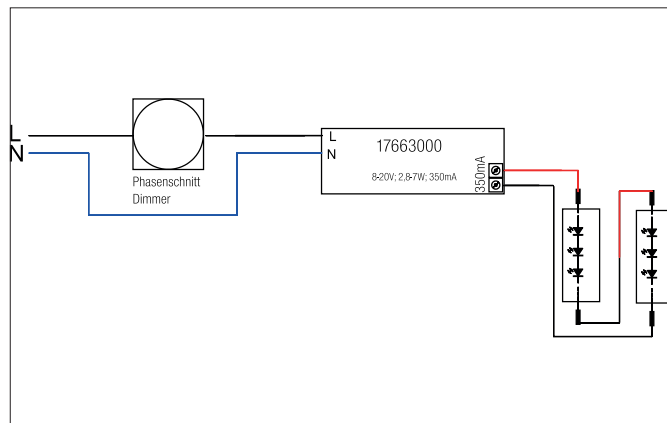
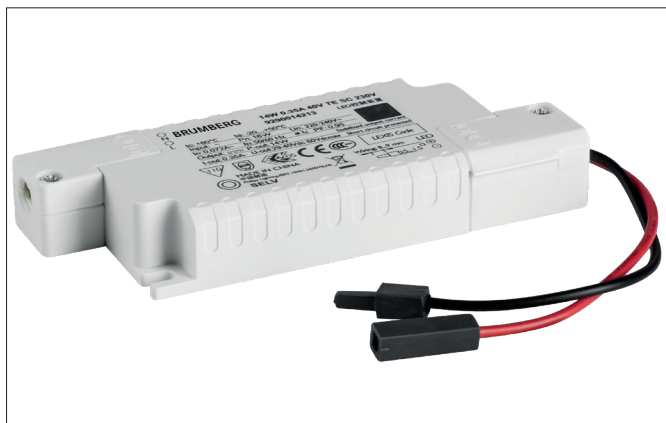


LED converter 350 mA, trailing-edge phase dimmable

Article no. 17663000

Light.
For Generations.**Tender**

LED converter 350 mA, trailing-edge phase dimmable. This converter is equipped with safety devices which protect it against overvoltage, short-circuit as well as thermal and electric overloads. The input and output terminals are suitable for cables with a cross-section of up to 1.5 mm². Material: Plastic, Degree of protection: according to DIN EN 60529 IP20, Protection class: (EN 61140) II, Current: 350 mA, Voltage: 230V AC 50Hz, Power: 7W, Dimmable: Yes, Control: Trailing-edge phase.

Article data	
Article no.	17663000
GTIN	4251433918455
Short description	LED converter 350 mA, trailing-edge phase dimmable
Material	Plastic
Length	110 mm
Width	50 mm
Height	19 mm
Scope of delivery	Plug&Play version with 110 mm P&P output cable
Weight	0.059 kg

LED converter 350 mA, trailing-edge phase dimmable

Article no. 17663000

Light.
For Generations.

Operating technology of driver	
AC nominal voltage min	198 V
AC nominal voltage max	264 V
Frequenz max.	50 Hz
Current	350 mA
Protection class	II
Degree of protection	IP20
Starting current	1A (15,2 µs)
Power min	2.8 W
Power	7 W
Control	Trailing-edge phase
Flickerfrei	Ja
Environment temperature (ta)	0°C up to 40°C
Measure point (tc)	max. +80 °C
Version	Plug&Play
Efficiency	0.78

Packing data	
Gross weight	0.086 kg
Length of packaging	60 mm
Packaging width	27 mm
Packaging height	150 mm
Disposal at end of life	<p>This product must not be disposed of with household waste. You are obliged, to dispose of such electrical waste separately.</p> <p>By disposing of electrical waste and other old or defective electronics separately, you support recycling or other forms of re-use. In that way you help to take care and to avoid that harmful substances get into the environment.</p>