

Plug TN - with cable gland, with closure cap

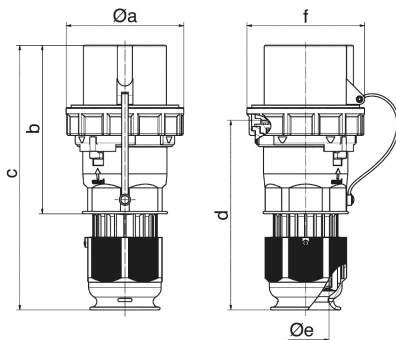
Product description	
BALS-Prd.-Nr	210415
EAN	4024941108317
Product category	TN plug
Current	63A
Number of poles	4p
Poles	3P+PE
Position of earth contact	11 h
Voltage	440 up to 460V, mainly for ship installations
Frequency	60Hz
VG-Type-No.:	VG 96919 CP 031
Protection degree	IP67
Colour code	bronze-green RAL 6031-F9
Colour of appliance	Pusher black RAL 9005, Cable gland bronze-green RAL 6031-F9, Bayonet ring bronze-green RAL 6031-F9, Housing cover bronze-green RAL 6031-F9, Collar bronze-green RAL 6031-F9
Connection design	screw terminal as box terminal
Maximum conductor size	16,0 qmm
Cable entry	Cable gland
Height	244mm
Width	113.5mm

Product description	
Depth	115mm
Material of enclosure	Polyamide
Contact	The contact carrier is made of high temperature resistant material, the contacts are brass nickel plated

Additional technical properties	
	For cable diameter from 16 up to max. 36 mm, Screwless housing connection, Multi-Grip cable gland with gasket, integrated cable clamp and additional water evacuation openings
	With closure cap

Logistics data	
Weight/pcs	0.755 kg / Piece
Packaging	Bag
Content amount	1 ST
EAN	4024941108317
Length	115 mm
Width	113.5 mm
Height	244 mm
Weight	0.756 kg
Volume	3,184.81 ccm
Packaging	Carton
Content amount	5 ST

Logistics data	
EAN	4024941839167
Length	325 mm
Width	217 mm
Height	210 mm
Weight	3.981 kg
Volume	13,588.4 ccm



2 MB 107

Ampere Polzahl	63 3	63 4	63 5	125 3	125 4	125 5
a Ø	113,5	113,5	113,5	126,0	126,0	126,0
b	169,0	169,0	169,0	185,0	185,0	185,0
c	250,0	250,0	250,0	286,0	286,0	286,0
d	177,0	177,0	177,0	206,0	206,0	206,0
e Ø	36,0	36,0	36,0	50,0	50,0	50,0
f	112,5	112,5	112,5	125,0	125,0	125,0
Leiter mm ² min	6,0	6,0	6,0	16,0	16,0	16,0
Leiter mm ² max	25,0	25,0	25,0	50,0	50,0	50,0