

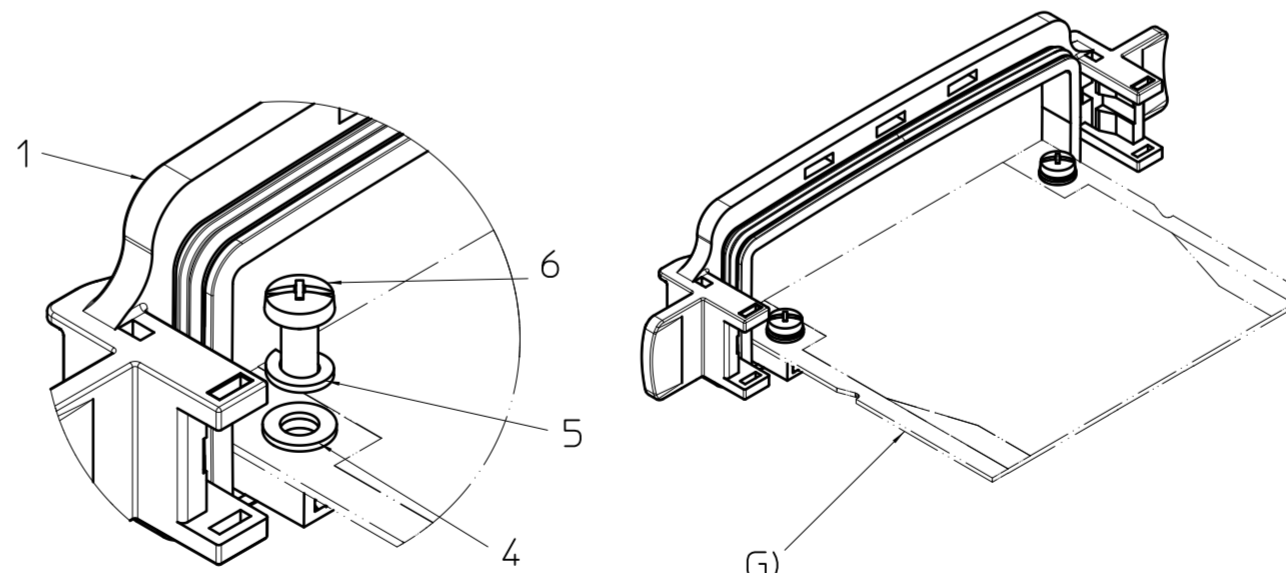
1:1

GENERAL INFORMATION:

- SIMPLIFIED REPRESENTATION
- DOCUMENT EXCLUDED FROM CHANGE PROCESS
- LINEAR DIMENSIONS (MM)
- WEB: WWW.PHOENIXCONTACT.COM WEBCODE: #0857

ADDITIONAL INFORMATION:

- A) LABEL / MILLING / PRINT AREA
- B) ENCLOSURE ALIGNMENT LUG SLOTS (6X) FOR ECS-B-122X169-L...
- C) ERGONOMIC THUMB PAD FOR UNLATCHING
- D) TOOL INSERTION SLOT FOR UNLATCHING (MAX Ø3.5 MM SHAFT SIZE)
- E) TAMPER PROOF FEATURE
- F) PCB MOUNTING AREA
- G) CUSTOMER SUPPLIED PCB



WORKPIECE ZERO POINT FOR MECHANICAL PROCESSING

CUSTOMER ASSEMBLED COMPONENTS

Pos.	QTY	description	material
4	2	FLAT WASHER 5MM	Zn STL
5	2	SPLIT LOCK WASHER 5MM	Zn STL
6	2	PHILLIPS SCREW M5X12	Zn STL

Pos.	QTY	description	material
1	1	ECS FACEPLATE	PC
2	1	FACEPLATE SEAL	SI
3	2	SQUARE NUTS	Zn STL

DIN A2	document-No. / RI 01047471 / 02	date 19.01.2026	scale 1:2
		ident.-No. 1050386	document-type
page 1	of 1	description ECS-P-122X169-L-UV-B GY	

Transfer or duplication of this document as well as the utilisation or communication of its content are not permitted unless express consent is granted. Violations give rise to claims for damages. All rights reserved in case of patent, utility model or design patent registrations.

Weitergabe sowie Vervielfältigung dieses Dokuments, Verwertung und Mitteilung seines Inhalts sind verboten, soweit nicht ausdrücklich gestattet. Zuwiderhandlungen verpflichten zu Schadensersatz. Alle Rechte für den Fall der Patent-, Gebrauchsmuster- oder Designanmeldung vorbehalten.

