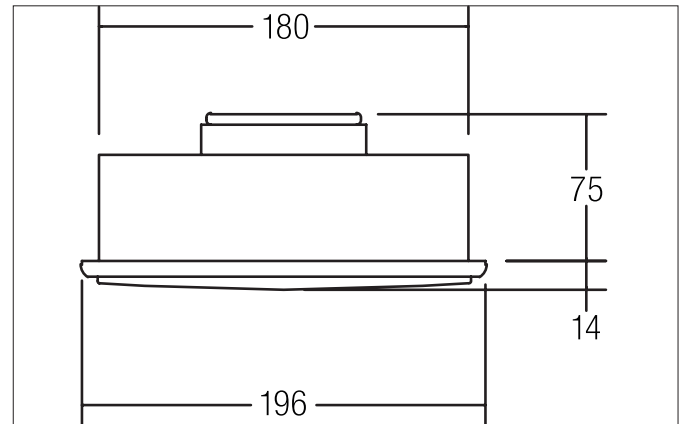


**Ceiling recessed speaker, DA 180 mm**  
Article no. 3094.07

Licht.  
Für Generationen.



IP20

**Tender**

Ceiling recessed speaker, DA 180 mm, white, Round. In a compact design, for installation in tool-less rapid assembly systems. Nominal / music load capacity: 40 / 50 W, impedance: 8 Ohm, Sound pressure level: 1 W / 1 m: 90 dB (at nominal output of 98 dB), Transmission range (-3 db): 100 - 20,000 Hz, Transmission range (-10 db): 60 - 23,000 Hz, Model: Front and mounting ring made of plastic with perforated plate cover in white, Net weight: 1.0 kg Installation in ceilings with material thickness of 1-20 mm. Connection using 2-core cable with connecting terminals. Moisture-impregnated membrane: Restricted protection against moisture (not suitable for continuous operation in outdoor area). Mounting method: Recessed mounting, Place of installation: Ceiling-mounted, Material: Steel / Plastic, Degree of protection: according to DIN EN 60529 IP20, Power: 50W.

Article data	
Article no.	3094.07
GTIN	4250047716563
Kurzbeschreibung	Ceiling recessed speaker, DA 180 mm
Material	Plastic
Colour	White
Type of surface	Matt
Shape	Round
Outer diameter	196 mm
Built-in diameter	180 mm
Installation depth	75 mm
Width	196 mm
weight	1.056 kg

**Ceiling recessed speaker, DA 180 mm**  
Article no. 3094.07

Licht.  
Für Generationen.

Packing data	
Gross weight	1.15 kg
Length of packaging	200 mm
Packaging width	200 mm
Packaging height	100 mm