

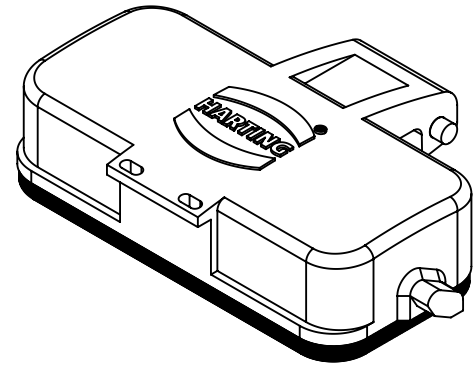
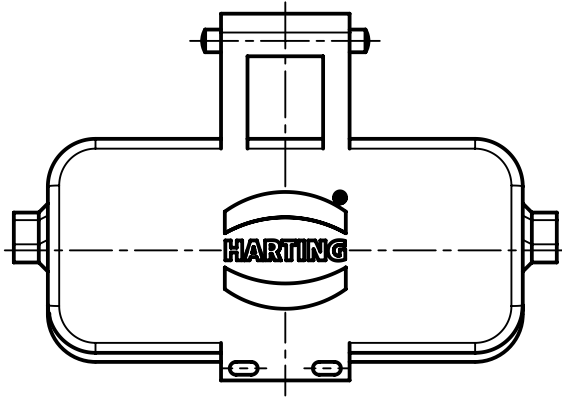
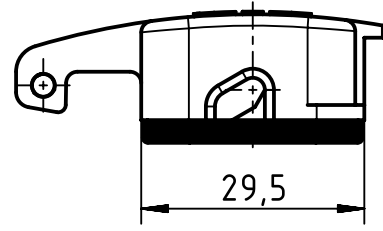
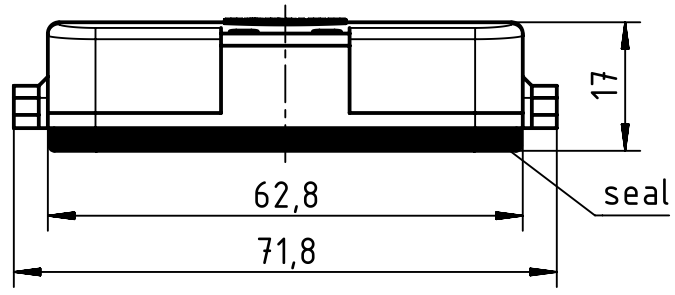
1 2 3 4 5 6

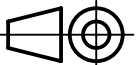

A

B

C

D



 All Dimensions in mm Original Size DIN A4	Scale 1:1		Free size tol.		Ref.
	Created by KLASSEN P		Inspected by NICHTERLEIN	Standardisation RUETERA	Date 2017-09-27
 All rights reserved Department EL PD - DE	Title Han 10A-Cover-Plastic 2 Pins, f. BP				Doc-Key / ECM-Nr. 100087320/UGD/006/A 500000124907
	HARTING Electric GmbH & Co. KG D-32339 Espelkamp		Type TB	Number 09 20 010 5410	