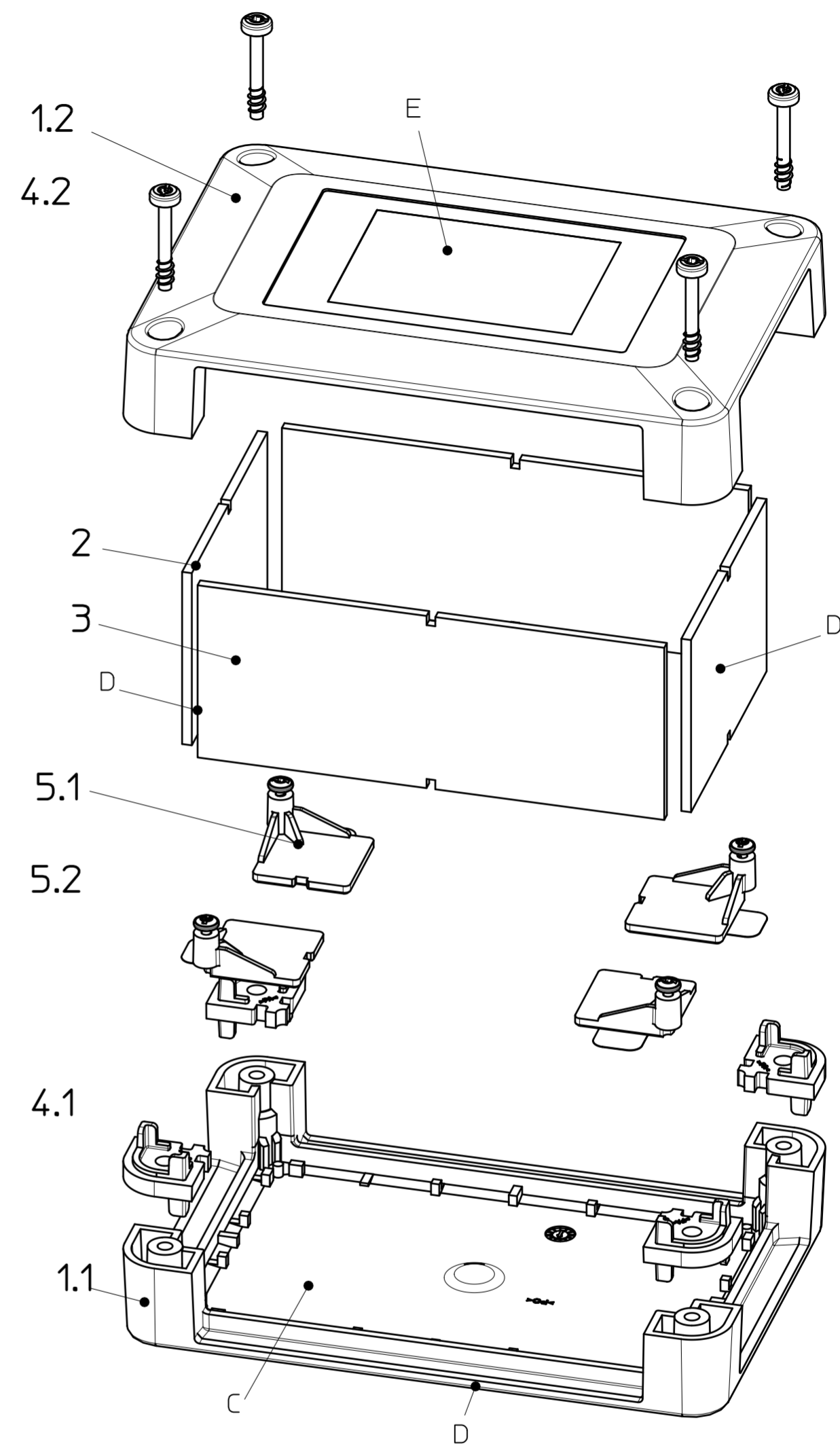
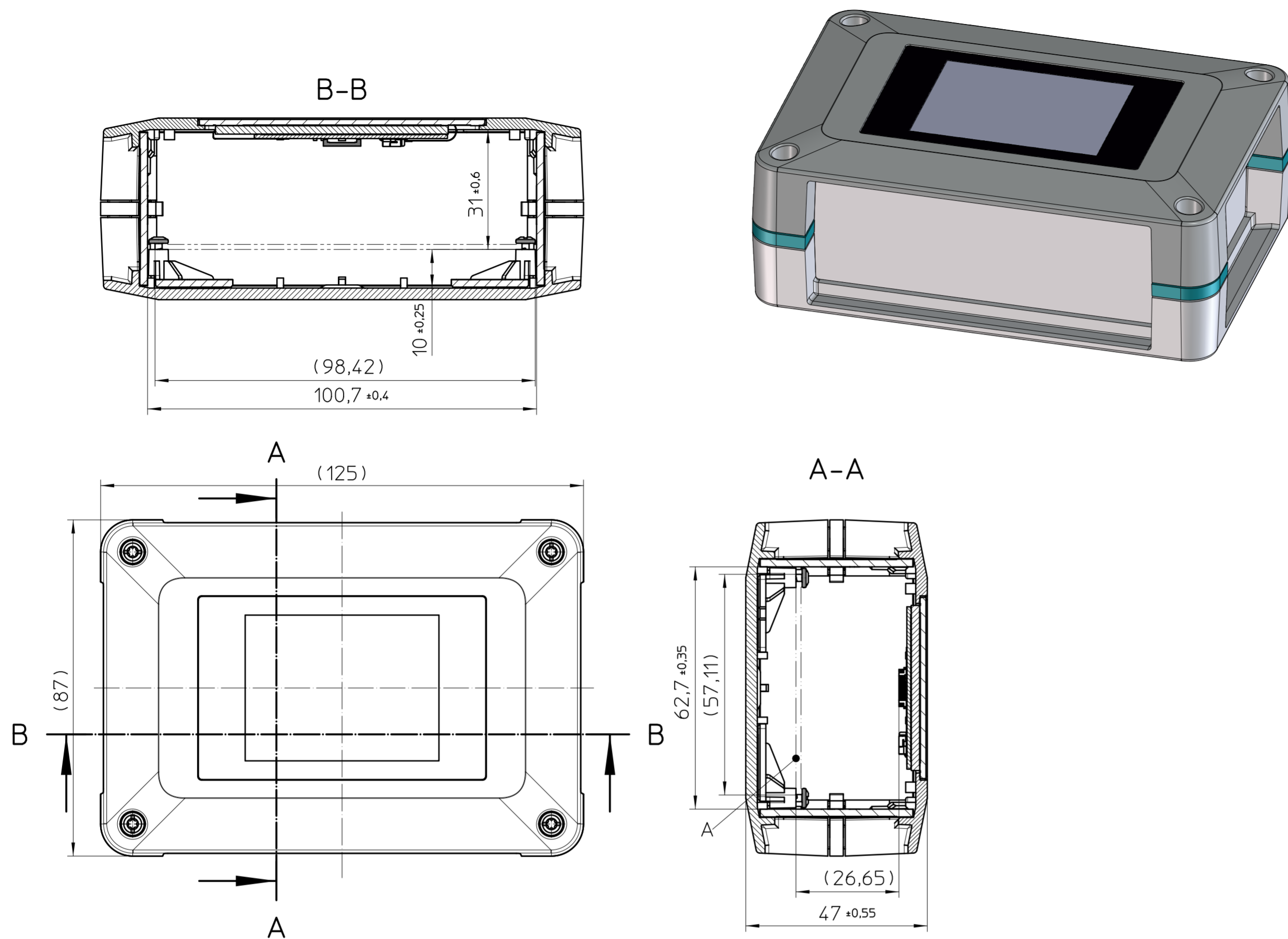


Transfer or duplication of this document as well as the utilisation or communication of its content are not permitted unless express consent is granted. Violations give rise to claims for damages. All rights reserved in case of patent, utility model or design patent registrations.

Weitergabe sowie Vervielfältigung dieses Dokuments, Verwertung und Mitteilung seines Inhalts sind verboten, soweit nicht ausdrücklich gestattet. Zuwiderhandlungen verpflichten zu Schadensersatz. Alle Rechte für den Fall der Patent-, Gebrauchsmuster- oder Designeintragung vorbehalten.



General Information:

- Simplified representation, exemplary shown in gray
- Document excluded from change process
- Linear dimensions [mm]
- Tolerances apply in a normal climate according to DIN EN ISO 291-23/50-2, PA plastic parts with about 2% (% by weight) moisture content.
- Web: www.phoenixcontact.com webcode: #0853

Additional Information:

- A. PCB t=0,8-3mm
- B. PCB area free option for Customer
max. PCB surface = 100mmx62mm
- C. Free position for UCS GD (Pos. 5.1+5.2) example position for max. PCB
- D. The positions 2, 3 and 1.1 can be machined, for further information see article 2203358 (Pos.2), 2203364 (Pos.3) , 2203349 (Pos.1.1)
- E. Display 2,4", for further information see article 1132710

KIT (not mounted)		
Pos.	QTY	Description
1.1	1	HALF HOUSING 125-87
1.2	1	HALF HOUSING 125-87 mit Display
2	2	SIDE WALL 87 FLAT
3	1	SIDE WALL 125 FLAT
4	4	CORNER CONNECTOR KIT
4.1	4	CORNER CONNECTOR
4.2	1	SCREW PT 3,5X20 TORX
5	4	GLUE DOME KIT
5.1	4	GLUE DOME
5.2	1	SCREW PT 2,5X8 TORX

	document-No. / RI	date	scale
	01312036 / 01	10.12.2024	1:1
	ident.-No.	document-type	
	1246287	TECDOC 2D_Productdrawing	
page 1	of 1	description UCS 125-87-F-GD-D2.4-TRG 9005	