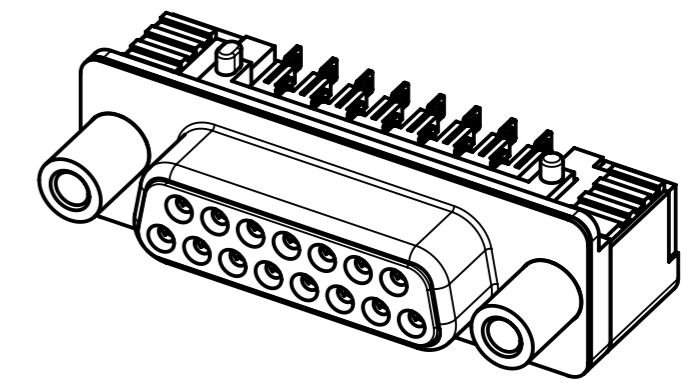
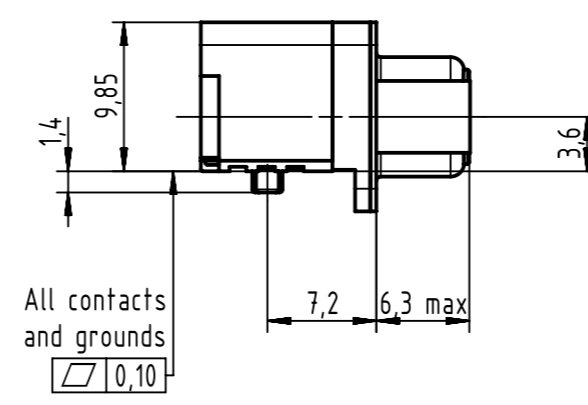
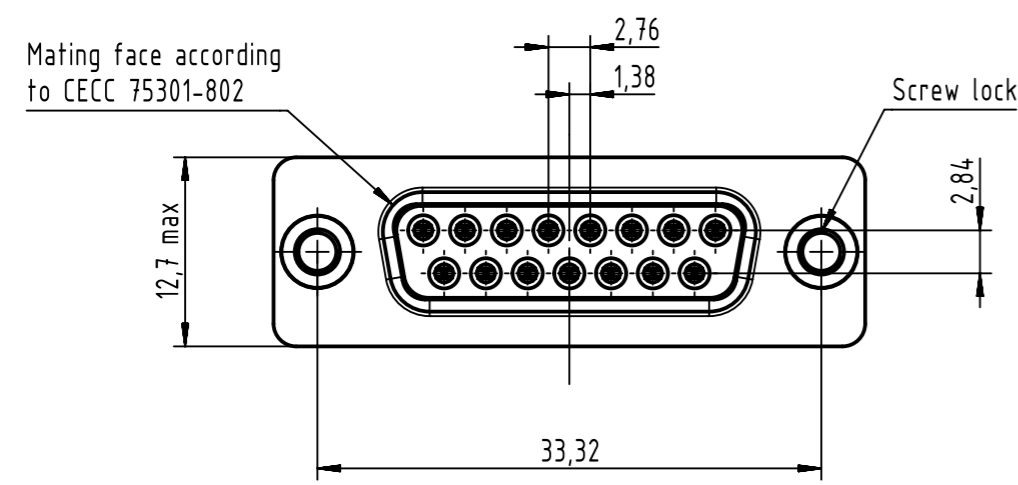
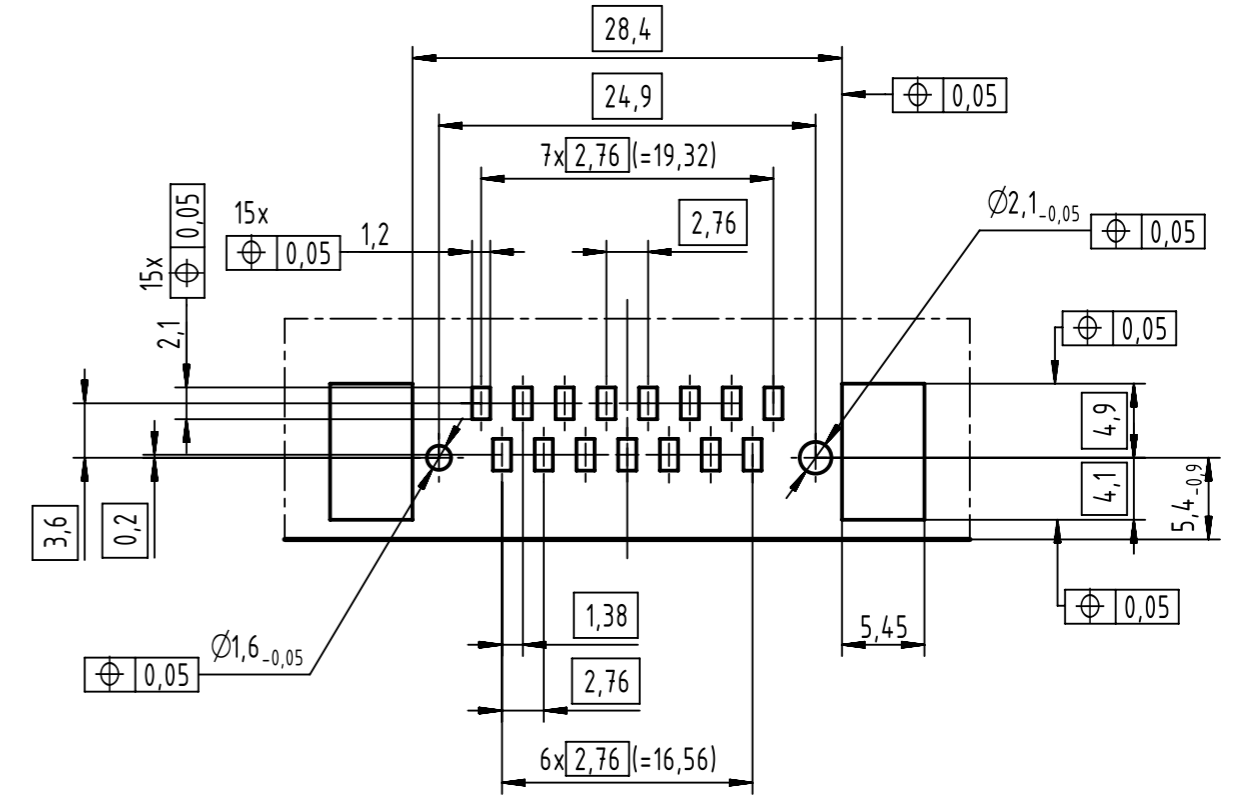


PCB layout, component side (thickness 1,6 min)



Max. Temperature: 260°C during 10 seconds.  
Find further technical information on DS 09550200301.

0955 256 6620 333	2	4-40 UNC	Black insulator	Samples
0955 256 3620 741	1			Reel packaging (160 connectors)
0955 256 6620 741	2			
0955 256 7620 741	3			
Part number	PL	Screw lock	Index designation	

	All rights reserved Department EC PD - CN	All Dimensions in mm Original Size DIN A3		Scale 2:1	Free size tol.	Ref. Sub.
		Created by ZENG D Inspected by LUOK Standardisation HOFFMANN Date 2016-08-29 State Final Release	Title D-Sub angled low-profile SMT 15-pole fem ass with screw lock		Doc-Key / ECM-Nr. 100512302/UGD/003/B 500000107668	
HARTING Electronics GmbH D-32339 Espelkamp		Type TB	Number 0955256X620	Rev. B	Page 1/1	