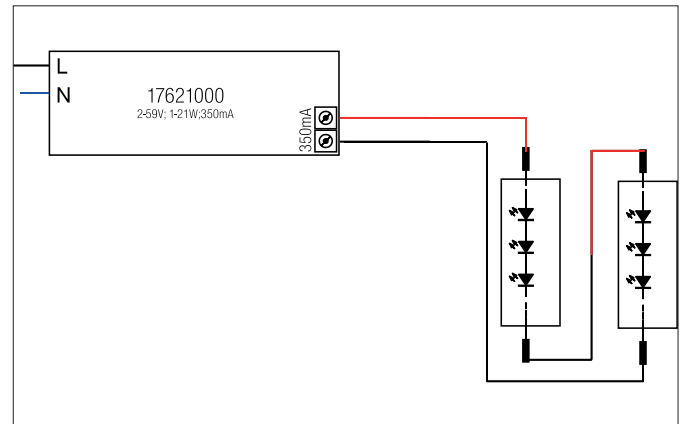


LED converter 350 mA, on/off switchable

Article no. 17621000

Light.
For Generations.



230V

Tender

LED converter 350 mA, on/off. This converter is equipped with safety devices which protect it against overvoltage, short-circuit as well as thermal and electric overloads. The input and output terminals are suitable for cables with a cross-section of up to 1.5 mm². Material: Plastic, Degree of protection: according to DIN EN 60529 IP20, Protection class: (EN 61140) II, Current: 350 mA, Voltage: 230V AC 50Hz, Power: 21W, Control: on/off.

Article data	
Article no.	17621000
GTIN	4251433917724
Short description	LED converter 350 mA, on/off switchable
Material	Plastic
Length	128 mm
Width	50 mm
Height	13 mm
Scope of delivery	Plug&Play version with 110 mm P&P output cable
Weight	0.076 kg

LED converter 350 mA, on/off switchable

Article no. 17621000

Light.
For Generations.

Operating technology of driver	
AC nominal voltage min	220 V
AC nominal voltage max	240 V
Frequenz max.	50 Hz
Current	350 mA
Protection class	II
Degree of protection	IP20
Starting current	8A
Power min	1 W
Power	21 W
Control	on/off
Environment temperature (ta)	0°C up to 40°C
Measure point (tc)	max. +85 °C
Version	Plug&Play

Packing data	
Gross weight	0.097 kg
Length of packaging	60 mm
Packaging width	27 mm
Packaging height	150 mm
Disposal at end of life	This product must not be disposed of with household waste. You are obliged, to dispose of such electrical waste separately. By disposing of electrical waste and other old or defective electronics separately, you support recycling or other forms of re-use. In that way you help to take care and to avoid that harmful substances get into the environment.