

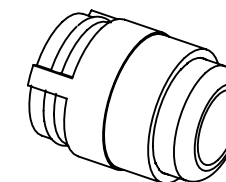
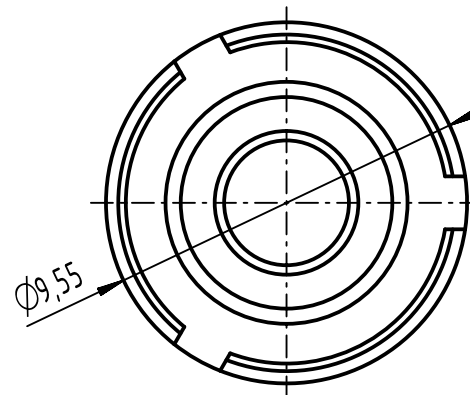
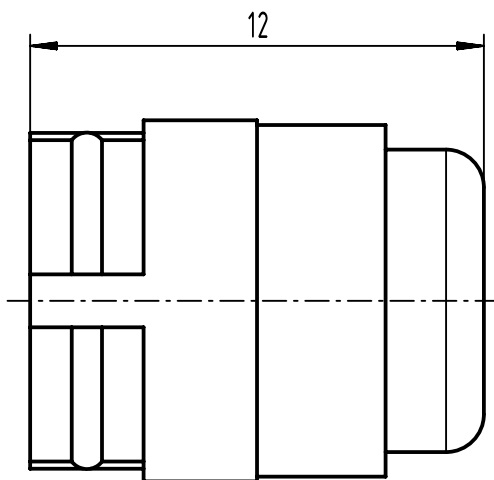
1 2 3 4 5 6



A

B

C

D



	All rights reserved Department EL PD	Created by 105120	Inspected by HASSEBROCKS	Standardisation	Date 2023-06-07	State Final Release
		Title HARTING M12 sealing insert		Doc-Key / ECM-Nr. 100214635/UGD/004/C 500000243910		
HARTING D-32339 Espelkamp		Type TB	Number 21010102001		Rev. C	Page 1/1
 All Dimensions in mm Original Size DIN A4		Scale 5:1	Free size tol.		Ref.	Sub.