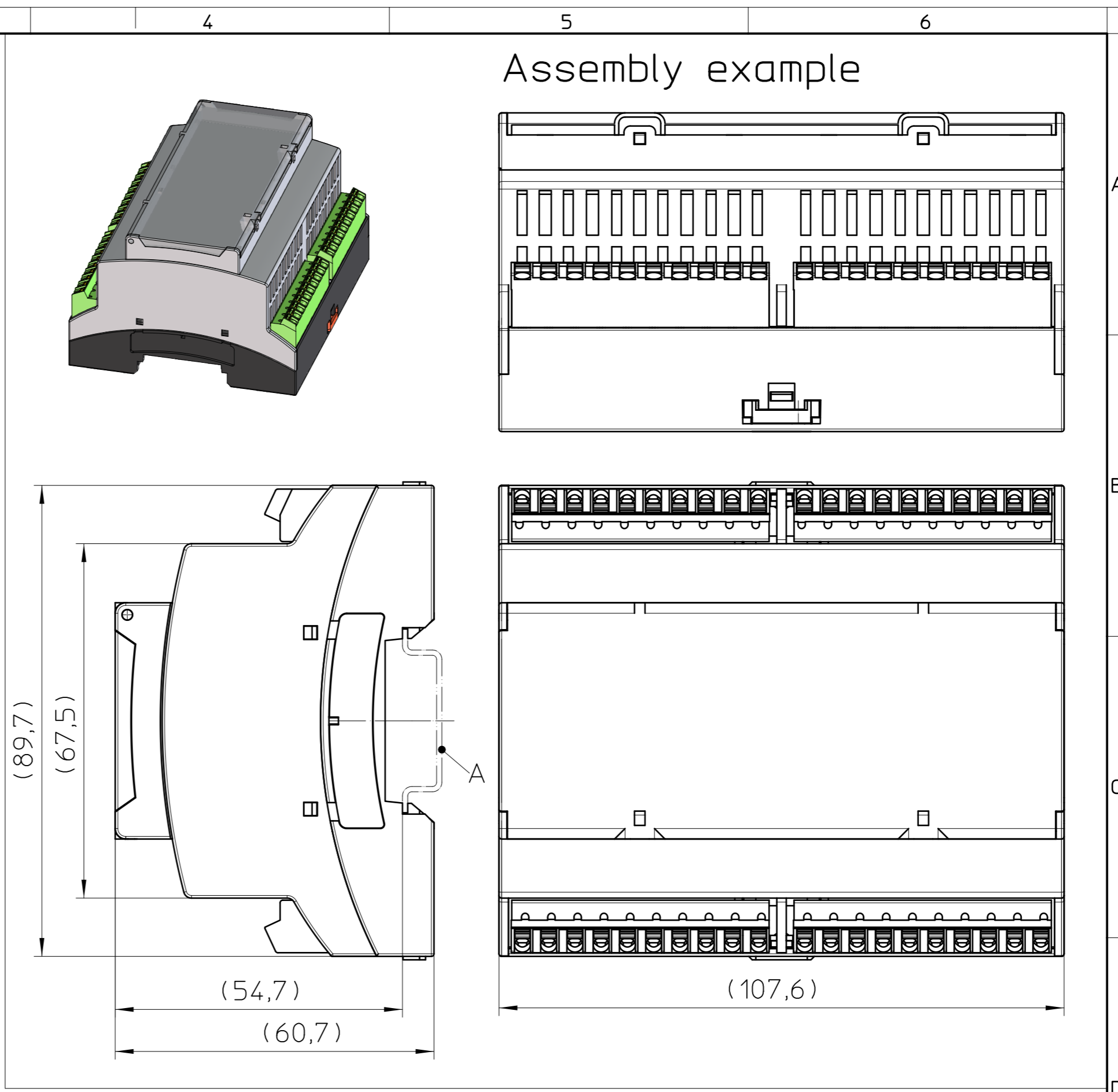
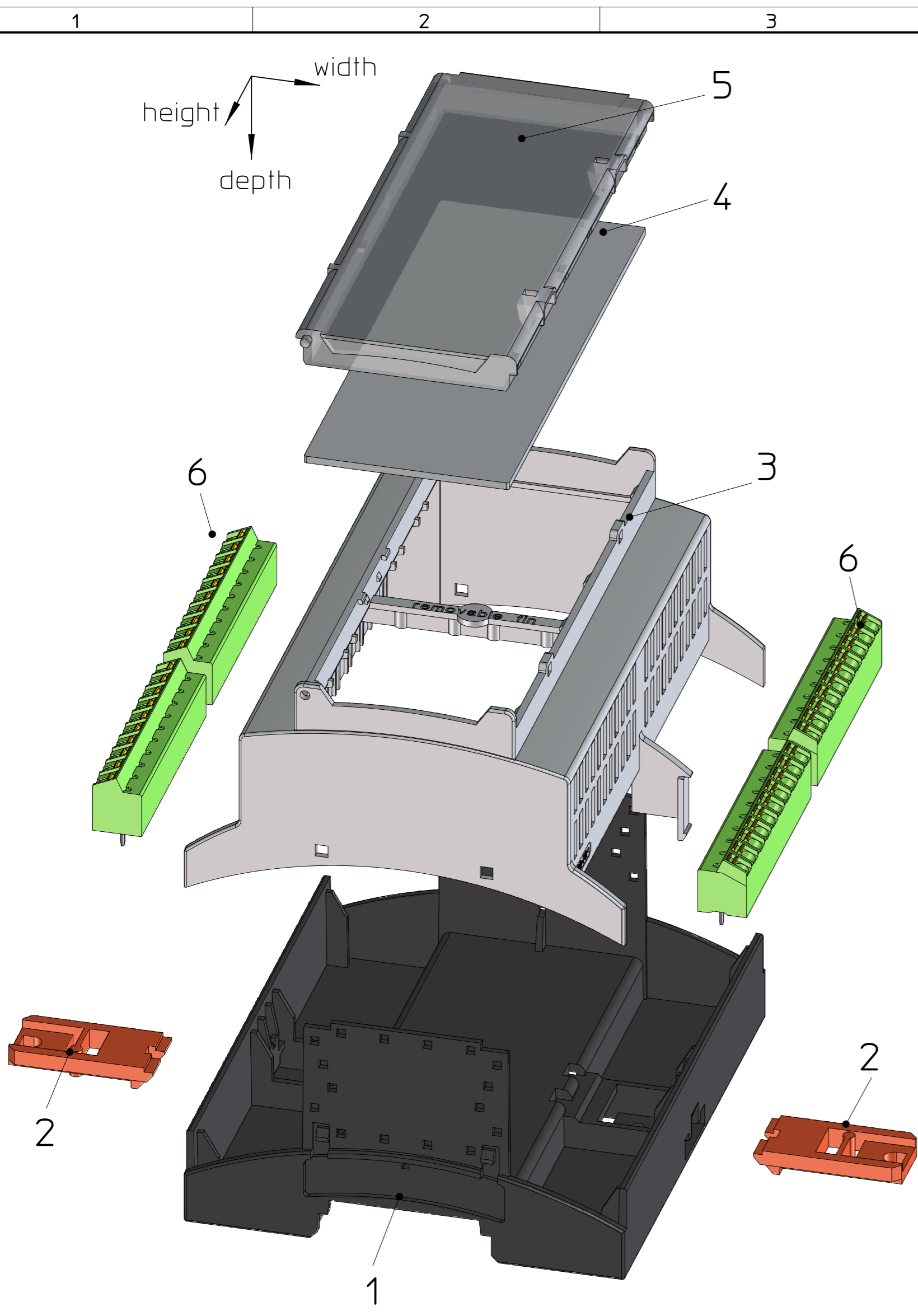


Transfer or duplication of this document as well as the utilisation or communication of its content are not permitted unless express consent is granted. Violations give rise to claims for damages. All rights reserved in case of patent, utility model or design, patent registrations. Tolerance specifications do not include clearances inherent in the design.

Weitergabe sowie Vervielfältigung dieses Dokuments, Verwertung und Mitteilung seines Inhalts sind verboten, soweit nicht ausdrücklich gestattet. Zuwiderhandlungen verpflichten zu Schadensersatz. Alle Rechte für den Fall der Patent-, Gebrauchsmuster- oder Designeintragung vorbehalten. Bauabdingtes Spiel ist in den Toleranzangaben nicht berücksichtigt.



KIT (not mounted)		
Pos.	QTY	Description
1	1	HOUSING LOWER PART
2	2	FOOT CATCH
3	1	HOUSING UPPER PART
4	1	PLATE
5	1	COVER
6	4	CONNECTOR SPTA

General Information:
 A. Mounting rail like EN 60715, TH 35-7,5 or mounting rail similar to EN 60715, TH 35-15x15

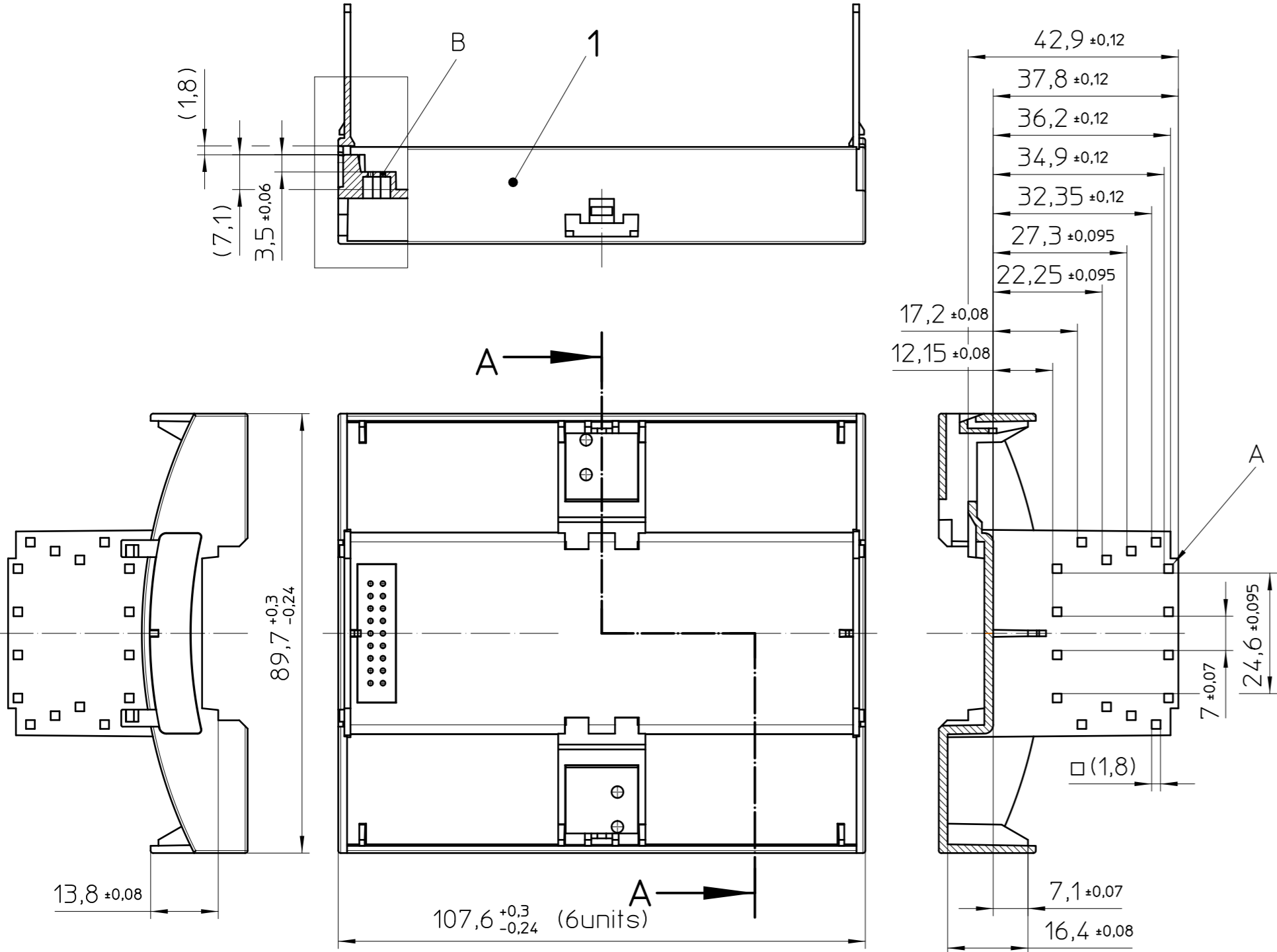
Web: www.phoenixcontact.com

	document-no. / ri	article-no.	scale	- Simplified representation - Document excluded from change process - Linear dimensions [mm]
	01455523 / 00	1456991		
	date	document-type	description	
	03.06.2022	TECDCOC 2D_Productdrawing		
page 1	of 6			

Transfer or duplication of this document as well as the utilisation or communication of its content are not permitted unless express consent is granted. Violations give rise to claims for damages. All rights reserved in case of patent, utility model or design patent registrations.

Weitergabe seines Inhalts sind verboten, soweit nicht ausdrücklich gestattet. Zuwiderhandlungen verpflichten zu Schadenersatz. Alle Rechte für den Fall der Patent-, Gebrauchsmuster- oder Designeintragung vorbehalten.

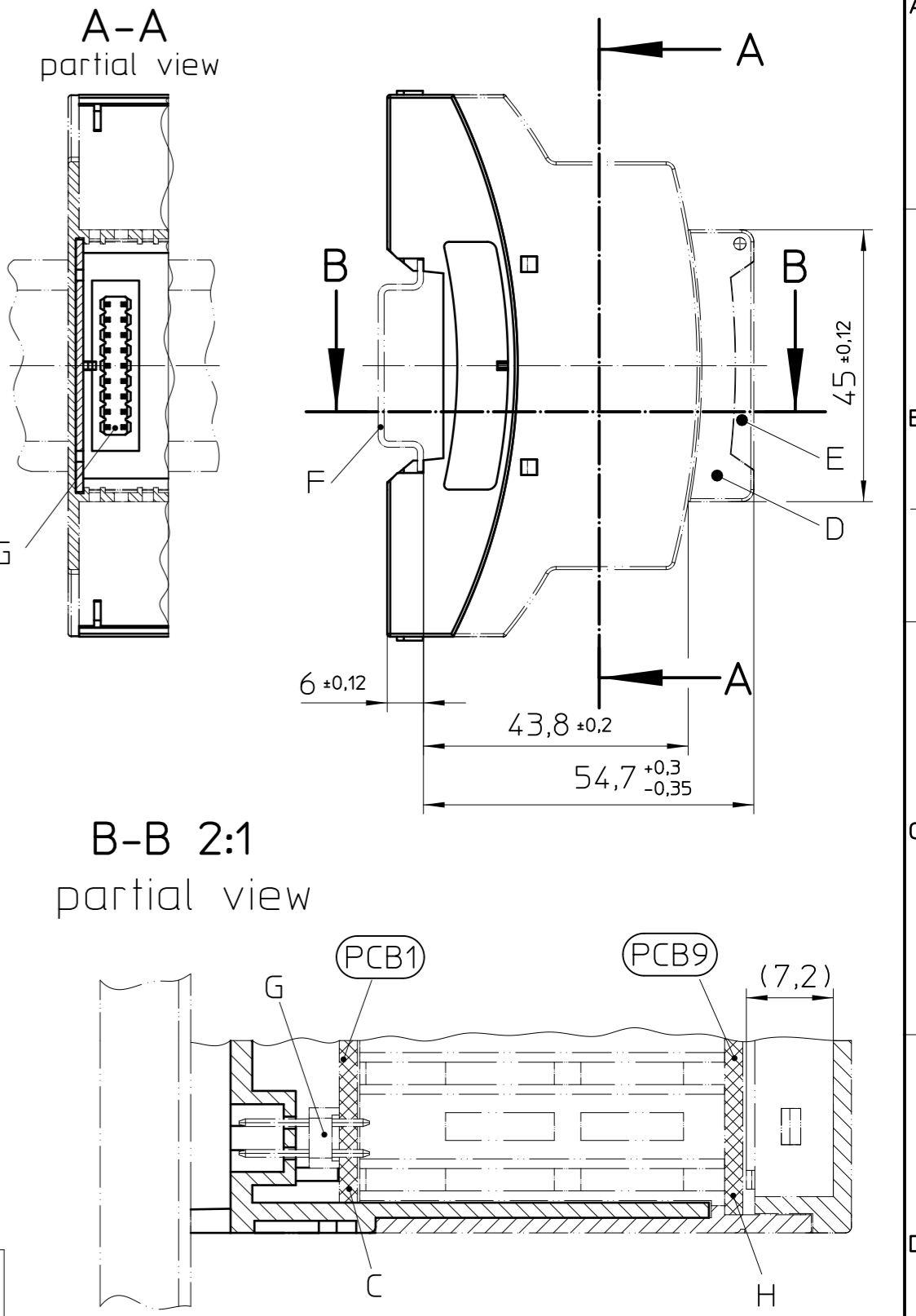
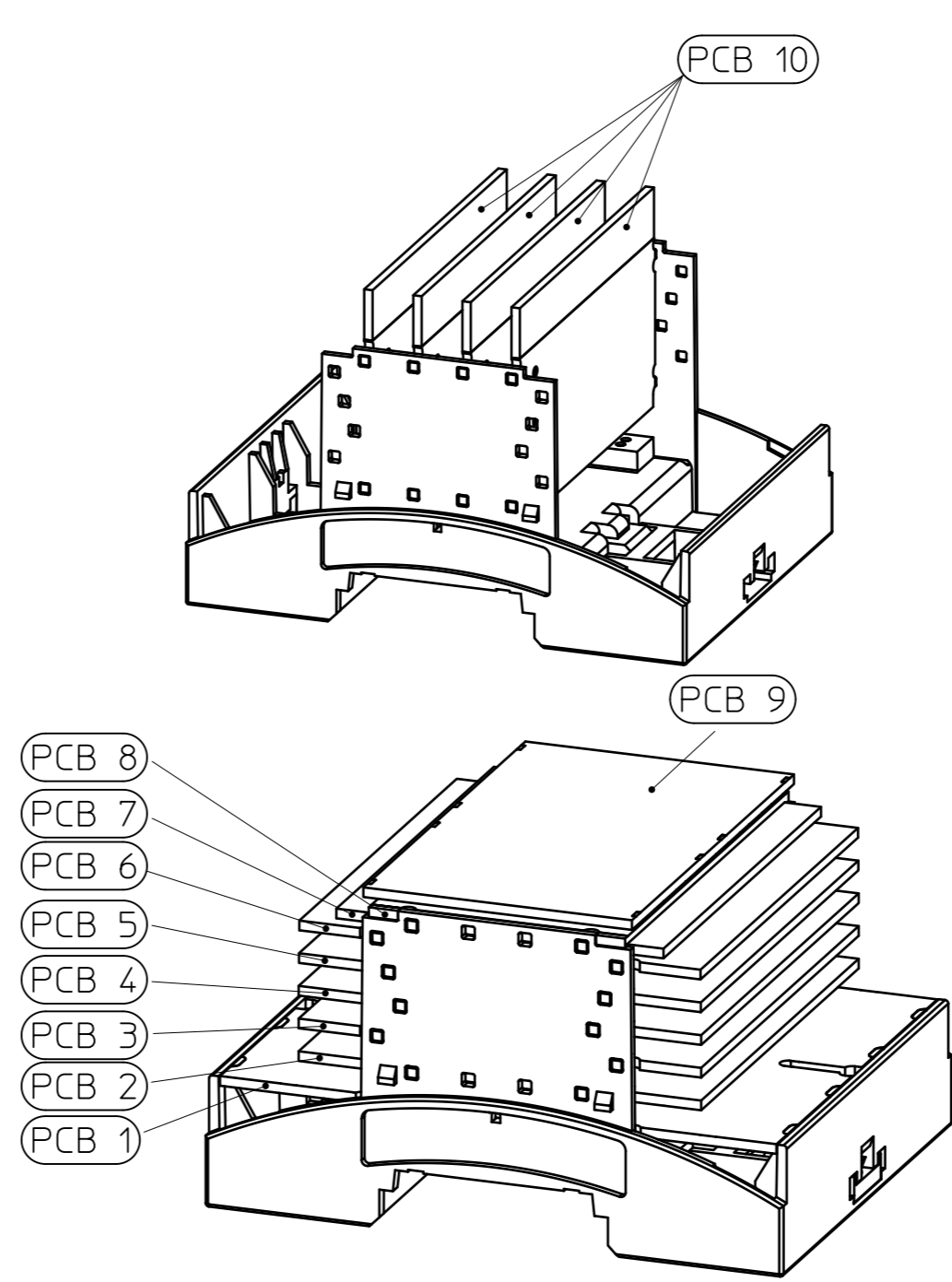
HOUSING LOWER PART



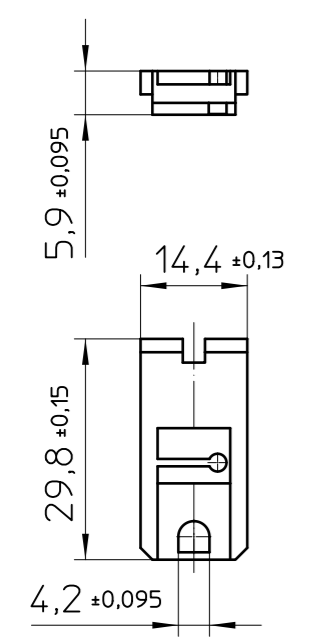
A-A

Assembly example

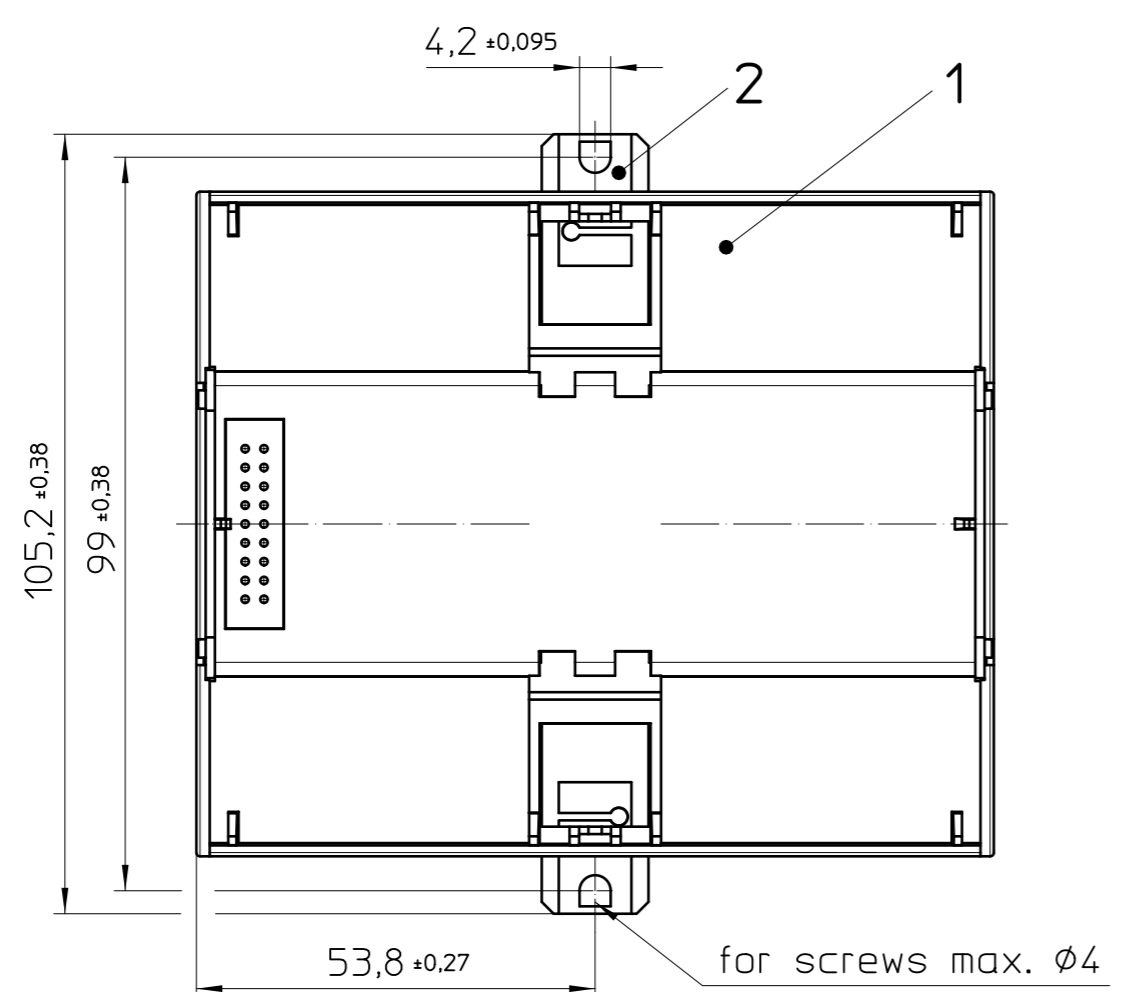
Overall dimensions complaint DIN 43880



FOOT CATCH



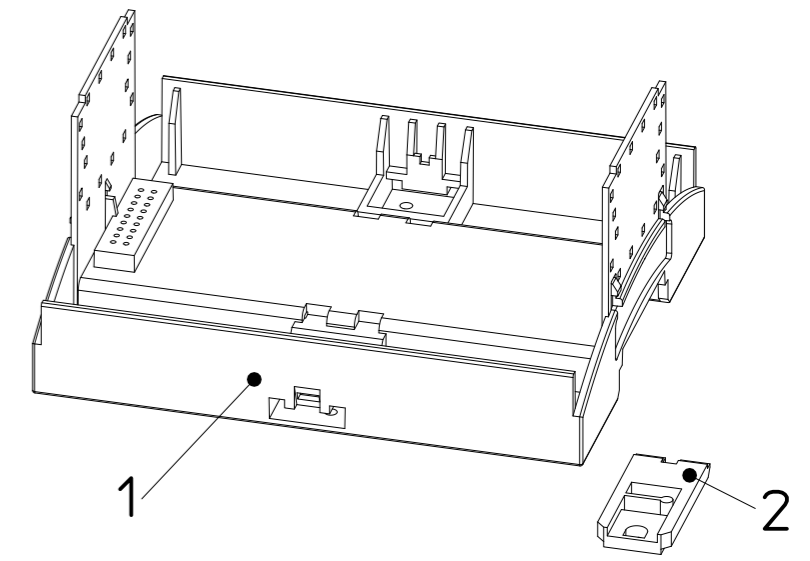
WALL MOUNTING (example)



- General Information:
- Simplified representation
 - Document excluded from change process
 - Units are in millimeters [mm] and degrees [°]
 - Tolerances apply in a normal climate according to DIN EN ISO 291-23/50-2
 - Web: www.phoenixcontact.com webcode: #0311

- Additional Information:
- A. PCB fixing
 - B. HBUS connector
 - C. PCB 1 (main PCB)
 - D. Housing upper part
 - E. Cover
 - F. Mounting rail like EN 60715: TH 35-7,5 or mounting rail TH 35-15x1,5 similar to EN 60715
 - G. Plug for HBUS, (PSTD 0,65x0,65/9-2,54)
 - H. Position PCB 9 or position plate

Housing BC LOWER PART with FOOT CATCH not mounted

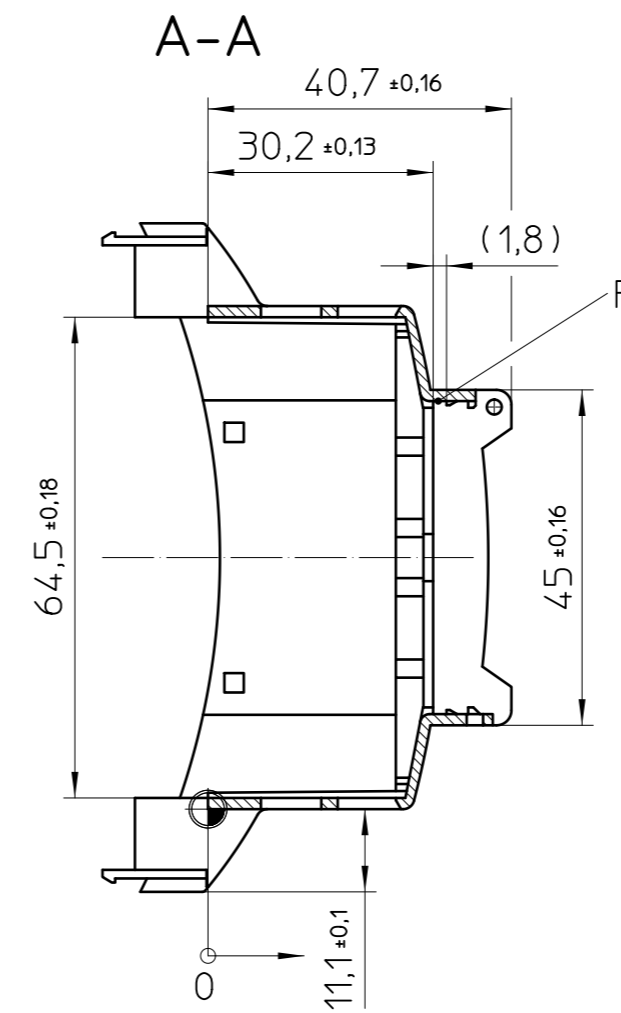
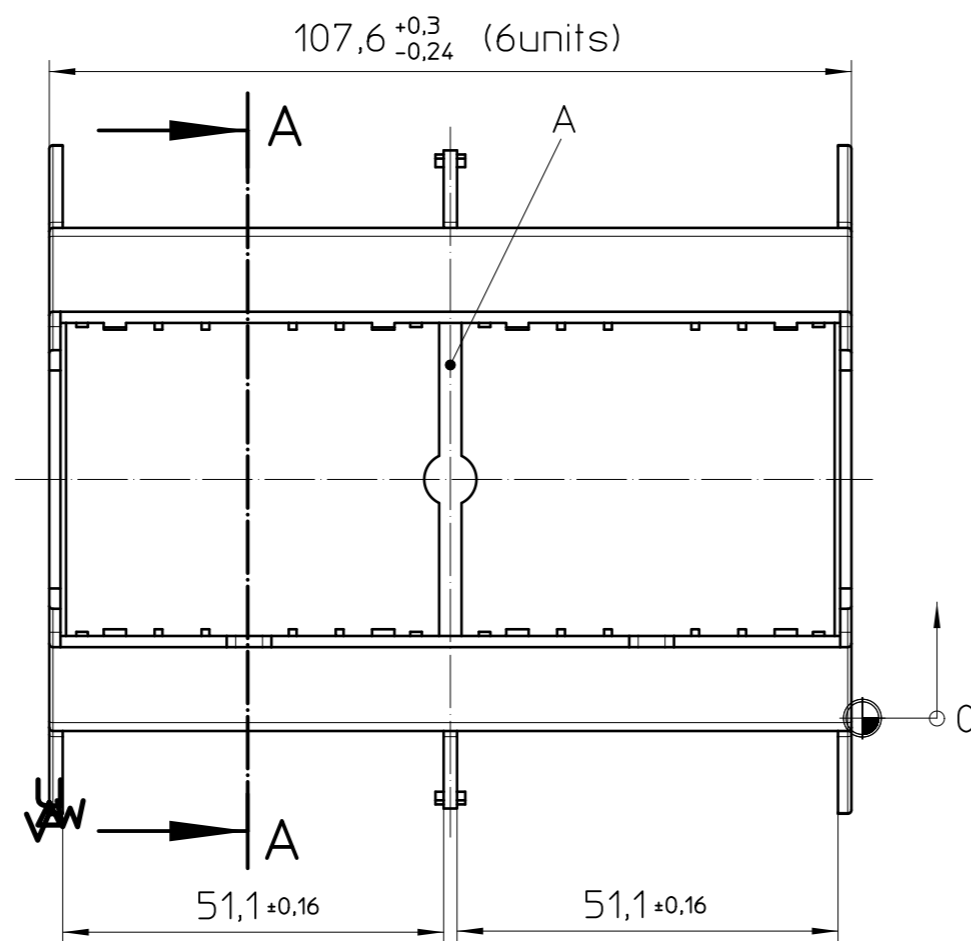
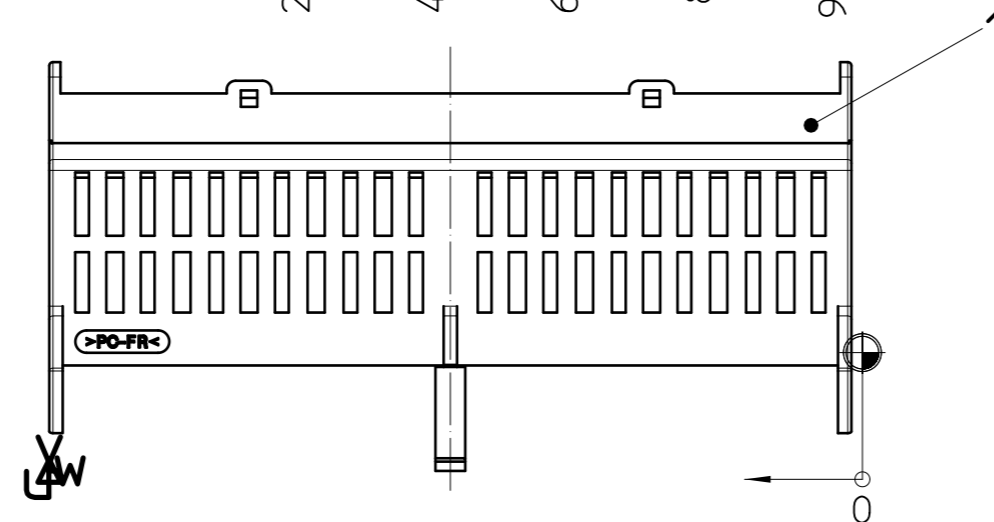
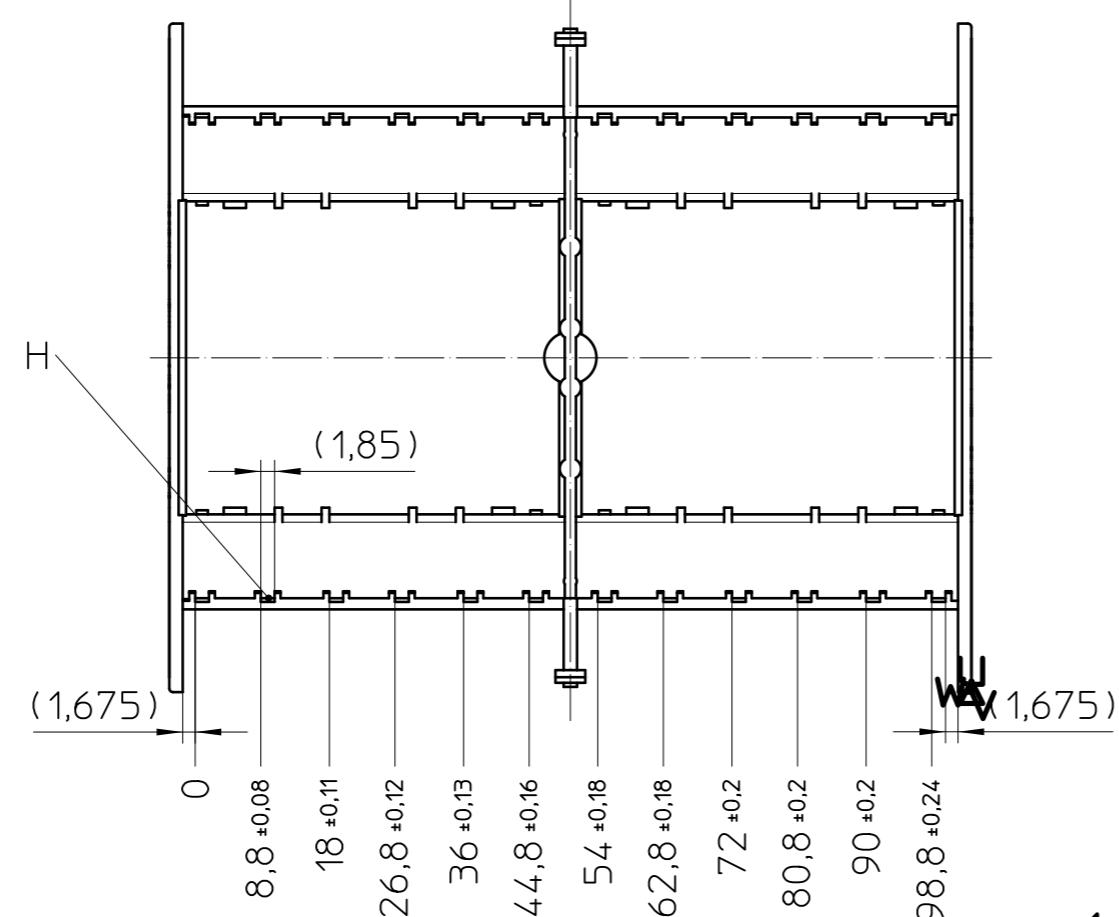
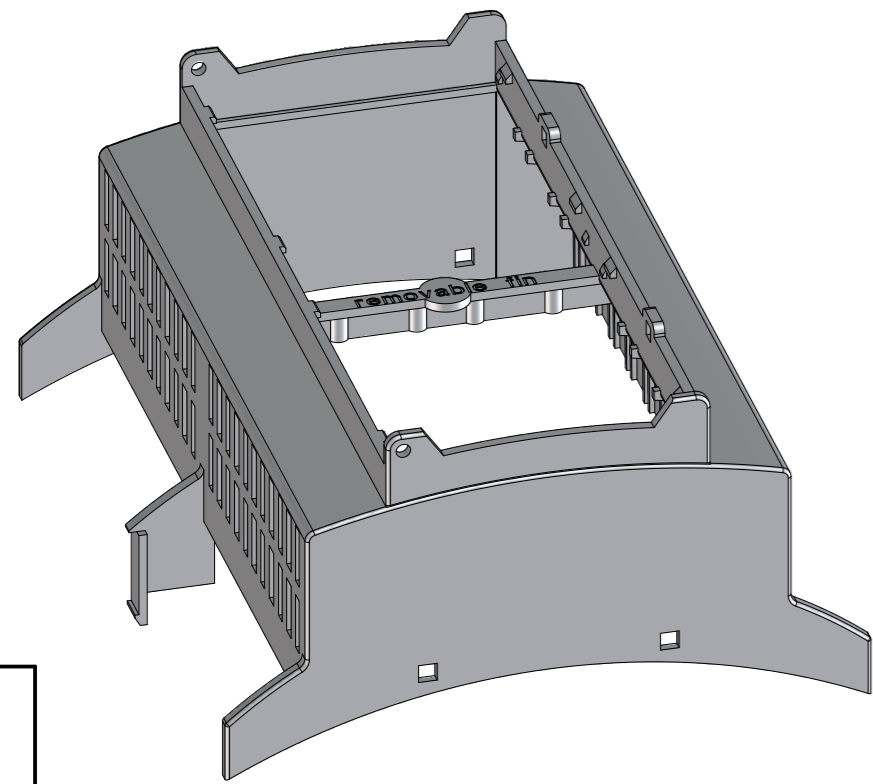


KIT (not mounted)			
Pos.	QTY	Description	Material
1	1	HOUSING LOWER PART	PC
2	2	FOOT CATCH	POM

document-No. / RI: 01455523 / 00
 date: 03.06.2022
 scale: 1:1

 ident.-No.: 1456991
 document-type: TECDOC 2D_Productdrawing
 description: BC 107,6-SKT-U11-7035+4SPTA10
 page 2 of 6

HOUSING UPPER PART



General Information:

- Simplified representation, exemplary shown in gray.
- Document excluded from change process
- Units are in millimeters [mm] and degrees [°]
- Tolerances apply in a normal climate according to DIN EN ISO 291-23/50-2
- Workpiece zero point for mechanical processing
- Tolerances for mechanical processing are ISO 2768-mK
- Tolerances for printing DIN ISO 2768-m
- Machining radii min. R1, further on request
- Web: www.phoenixcontact.com webcode: #0311

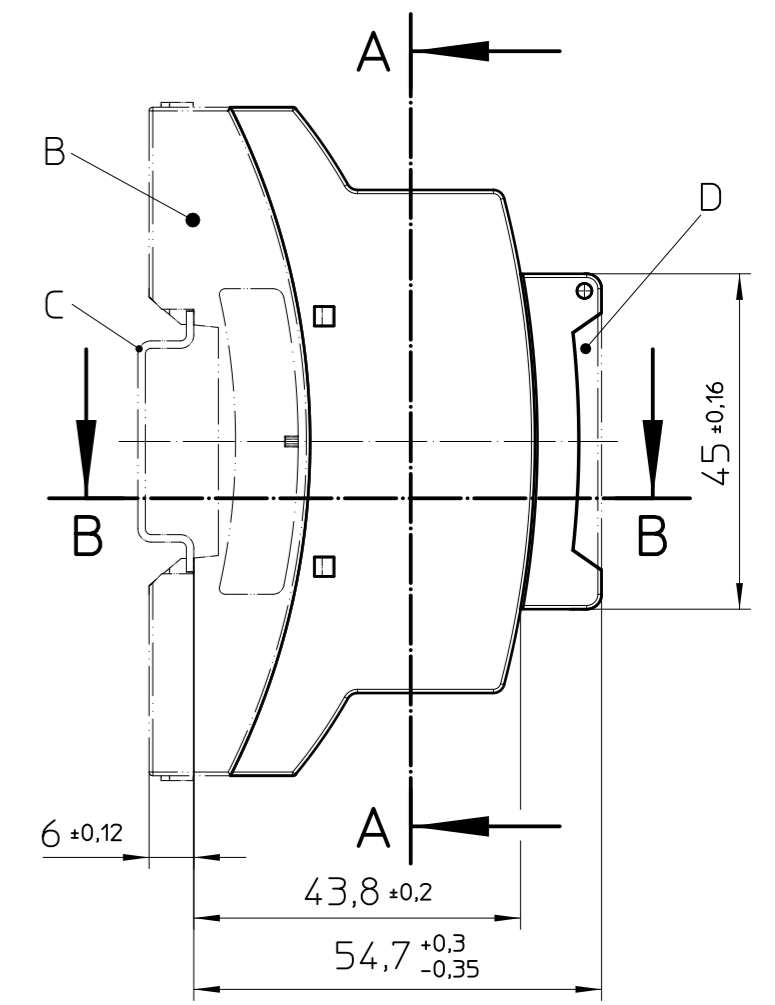
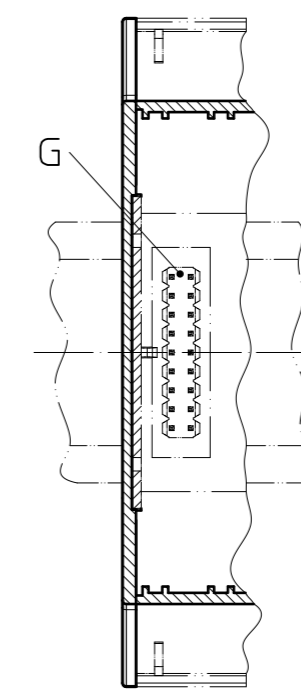
Additional information:

- A. If PCB 7+8 used, the fin has to be removed
- B. Housing lower part
- C. Mounting rail like EN 60715: TH 35-7,5 or mounting rail TH 35-15x1,5 similar to EN 60715
- D. Cover
- E. PCB 1 (main PCB)
- F. Position PCB 9 or position plate
- G. Header for HBUS (PSTD 0,65X0,65/9-2,54)
- H. PCB guidance for vertical PCB 11

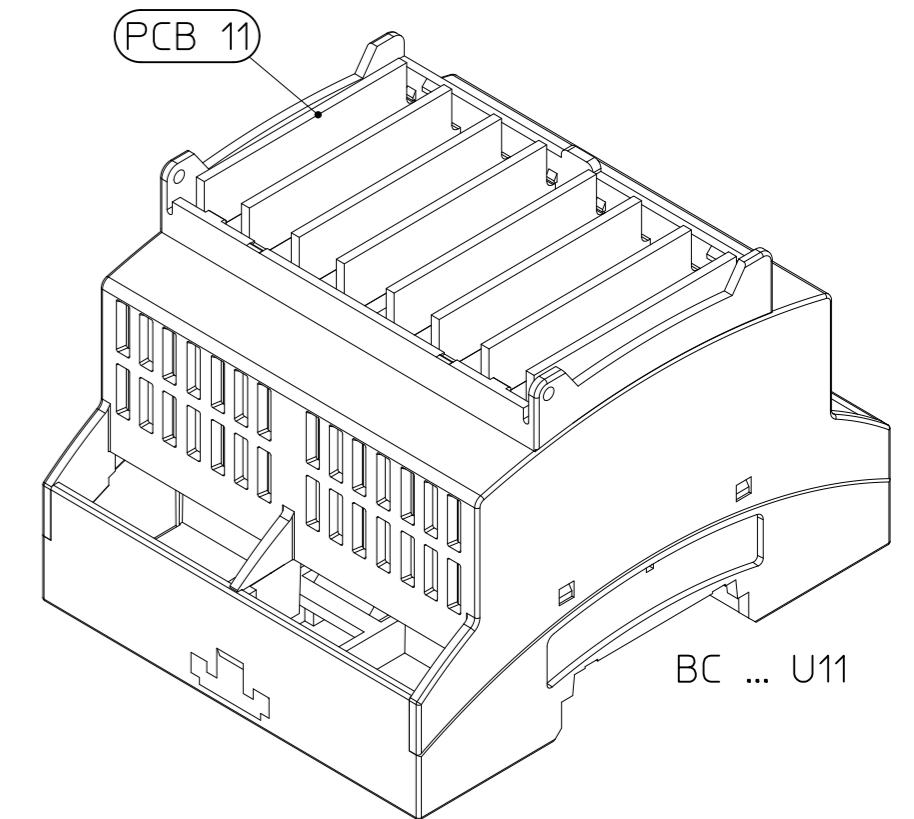
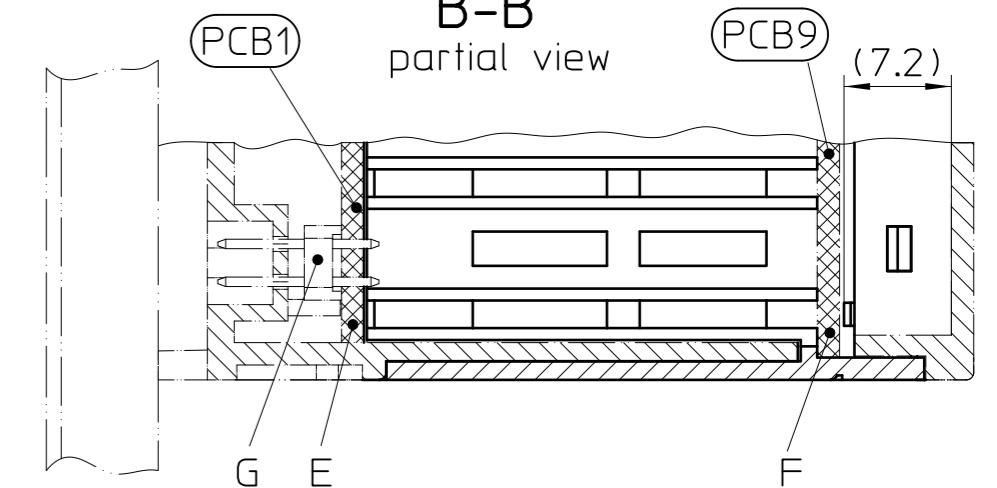
Assembly example

Overall dimensions compliant DIN 43880

A-A partial view



B-B partial view



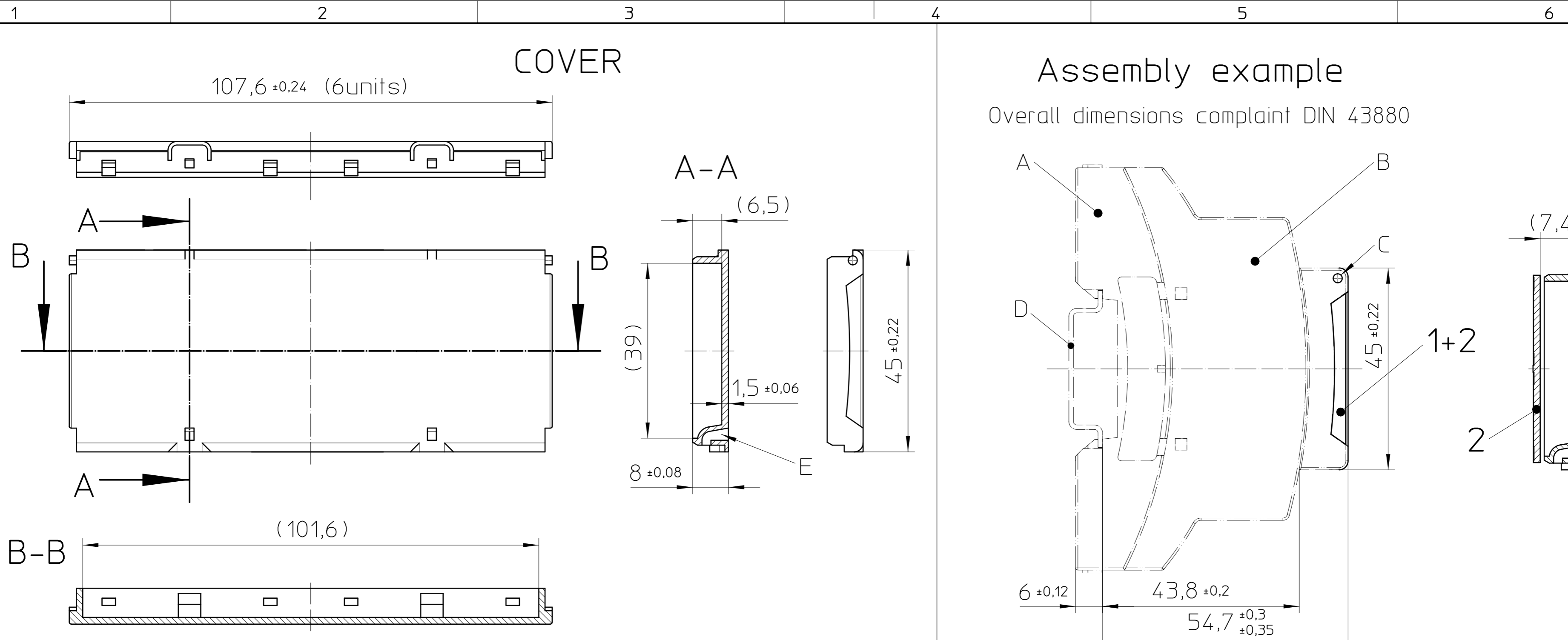
Pos.	QTY	Description	Material
1	1	HOUSING UPPER PART	PC
DIN A2		document-No. / RI 01455523 / 00	date 03.06.2022
1456991		document-type TECDOC 2D_Productdrawing	scale 1:1
page 3 of 6		description BC 107,6-SKT-U11-7035+4SPTA10	

Transfer or duplication of this document as well as the utilisation or communication of its content are not permitted unless express consent is granted. Violations give rise to claims for damages. All rights reserved in case of patent, utility model or design patent registrations.

Weitergabe sowie Vervielfältigung dieses Dokuments, Verwertung und Mitteilung seines Inhalts sind verboten, soweit nicht ausdrücklich gestattet. Zuwiderhandlungen verpflichten zu Schadensersatz. Alle Rechte für den Fall der Patent-, Gebrauchsmuster- oder Designeintragung vorbehalten.

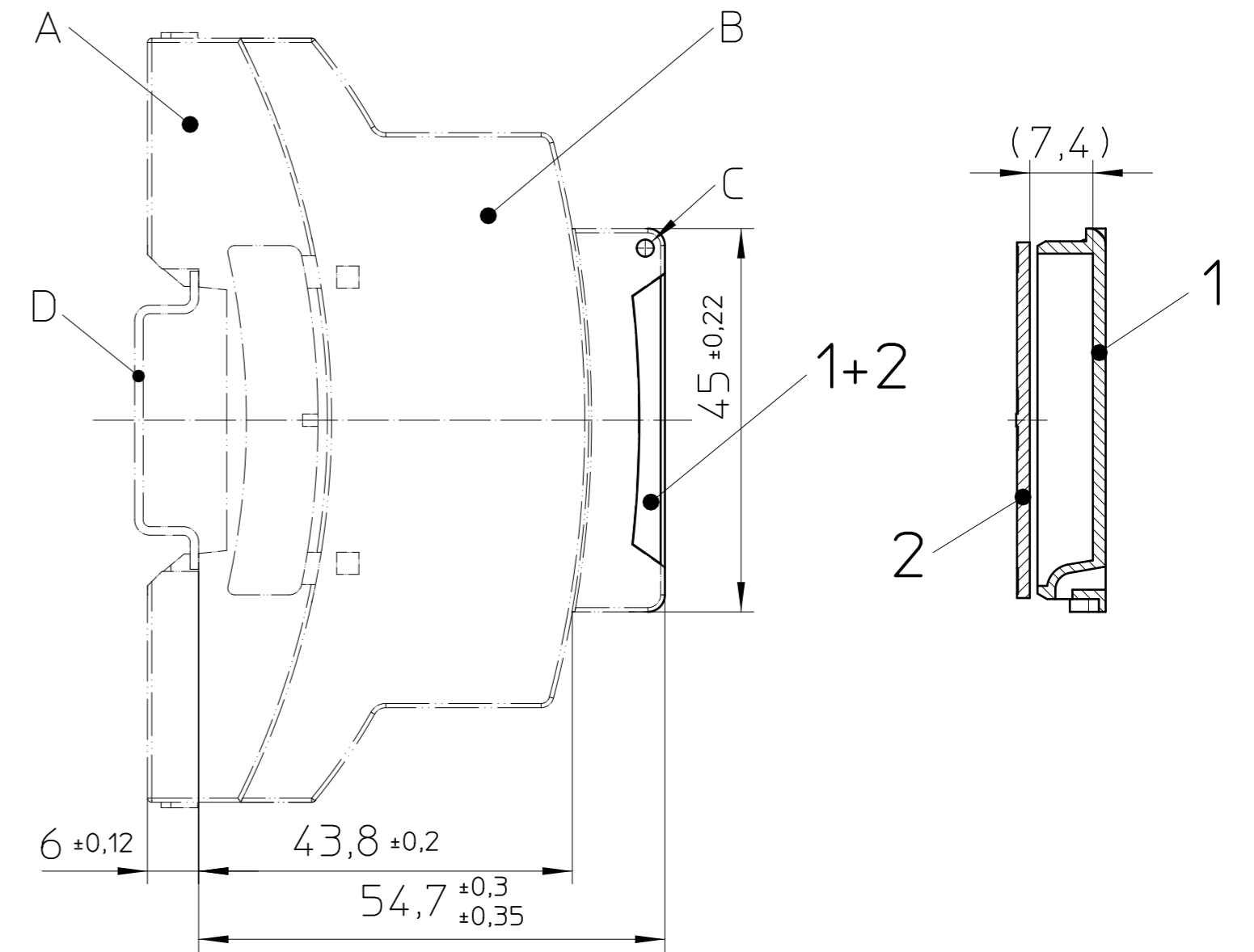
Transfer or duplication of this document as well as the utilisation or communication of its content are not permitted unless express consent is granted. Violations give rise to claims for damages. All rights reserved in case of patent, utility model or design patent registrations.

Weitergabe sowie Vervielfältigung dieses Dokuments, Verwertung und Mitteilung seines Inhalts sind verboten, soweit nicht ausdrücklich gestattet. Zuwiderhandlungen verpflichten zu Schadenersatz. Alle Rechte für den Fall der Patent-, Gebrauchsmuster- oder Designeintragung vorbehalten.

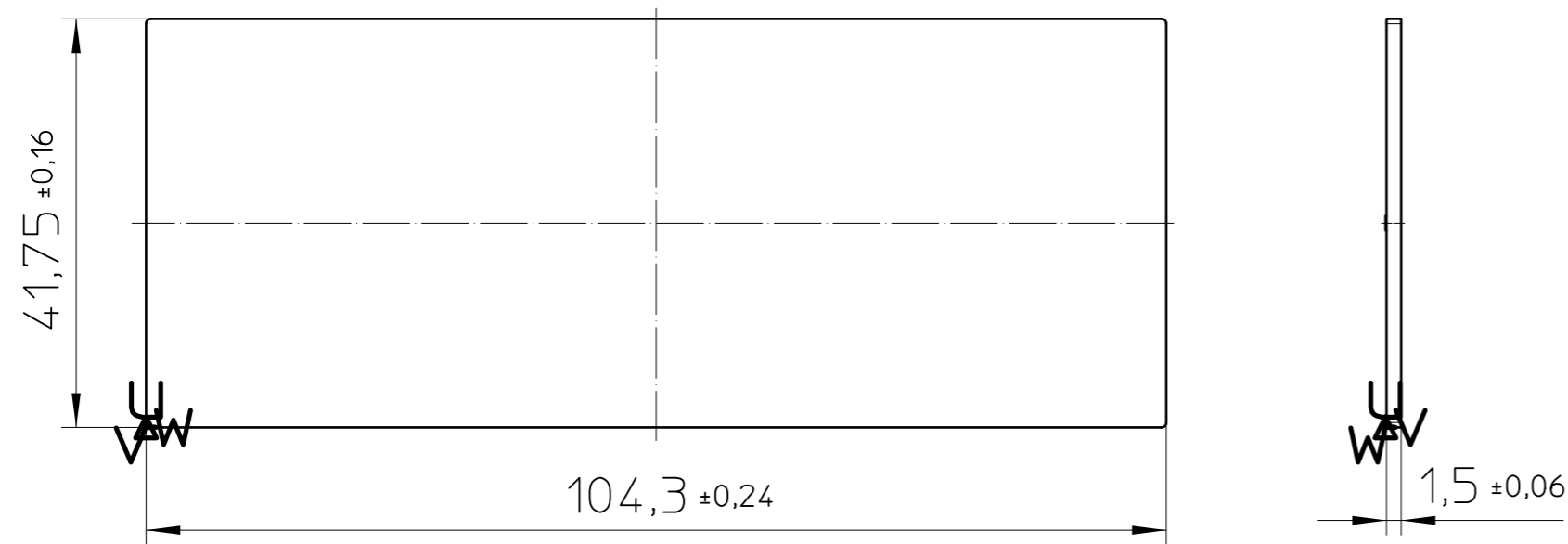


Assembly example

Overall dimensions complaint DIN 43880



PLATE

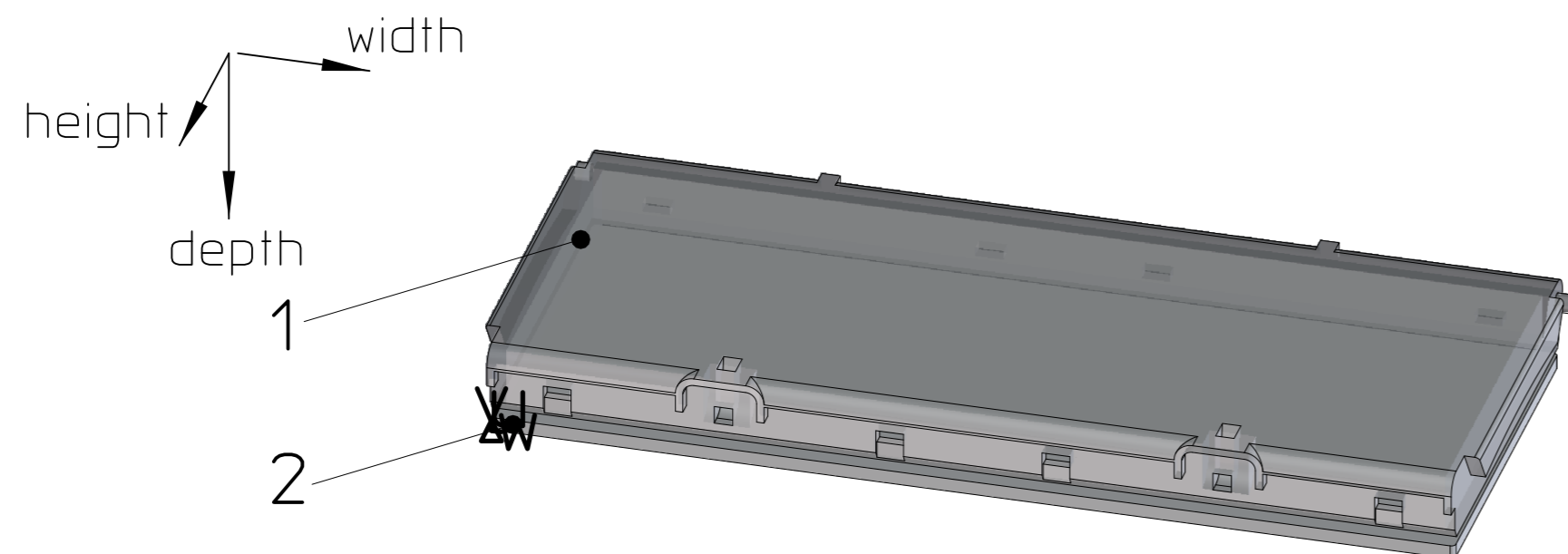


General information:

- Simplified representation, exemplary shown in gray.
- Document excluded from change process
- Units are in millimeters [mm] and degrees [°]
- Tolerances apply in a normal climate according to DIN EN ISO 291-23/50-2,
- Further information: www.phoenixcontact.com webcode: #0311

Additional information:

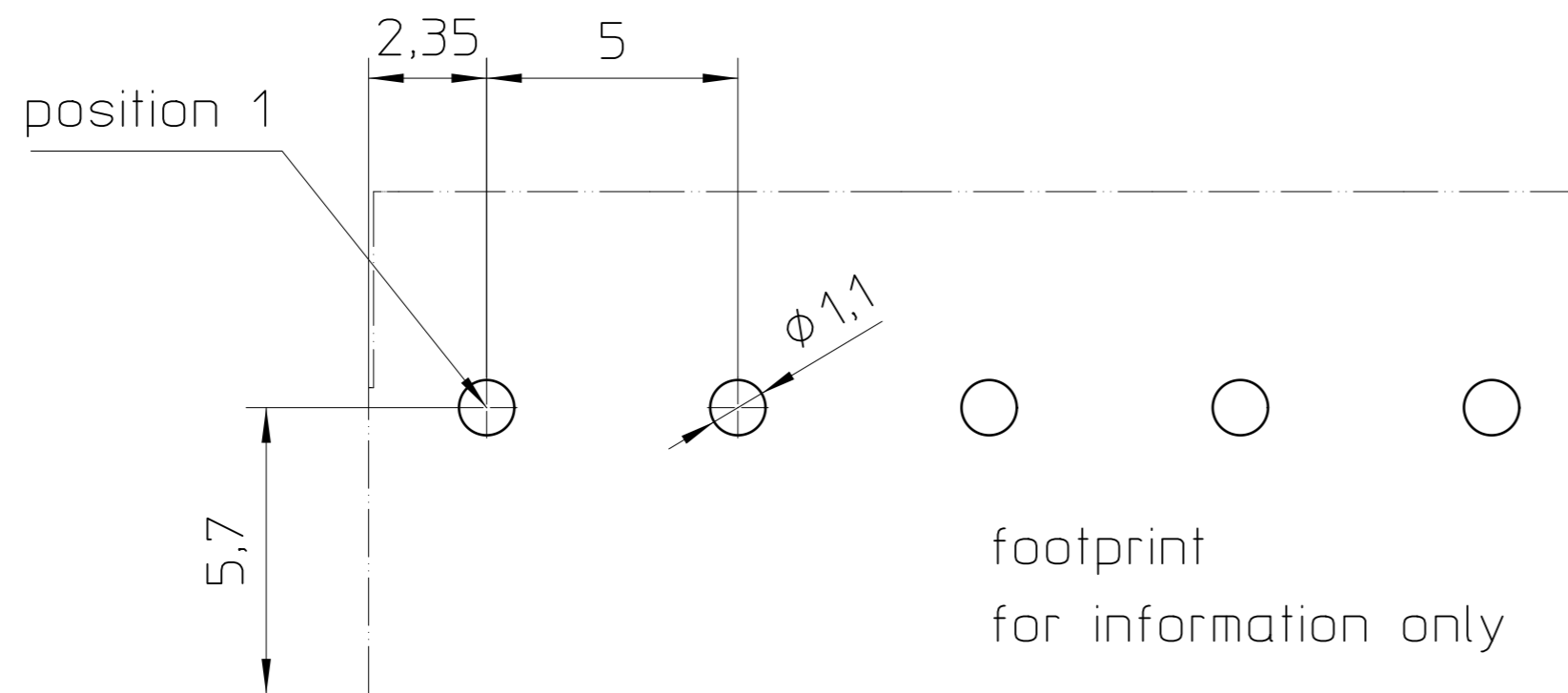
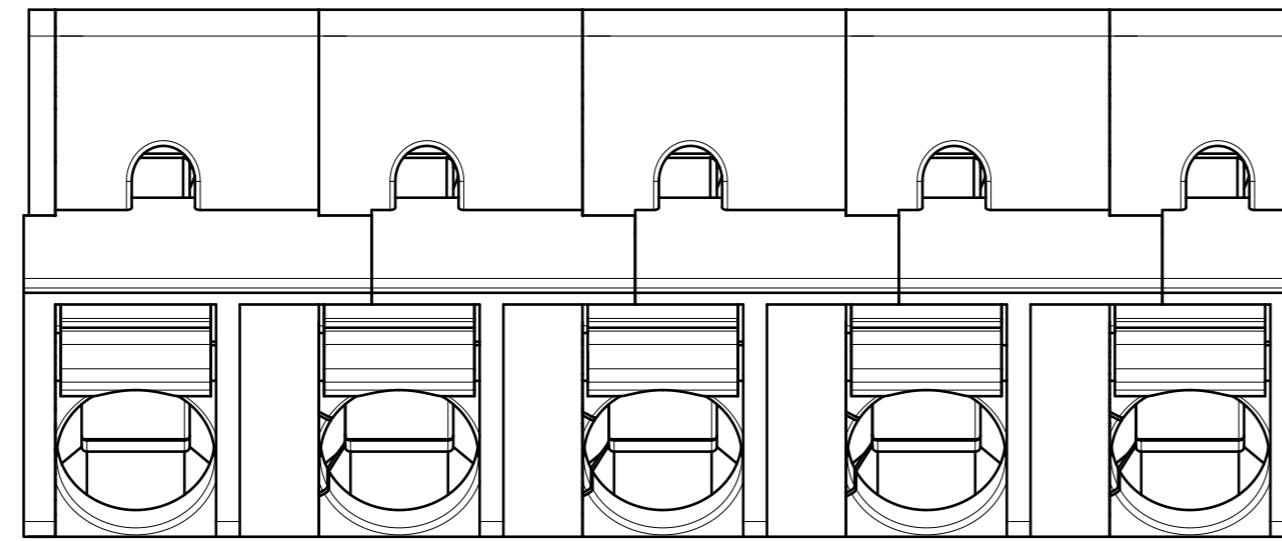
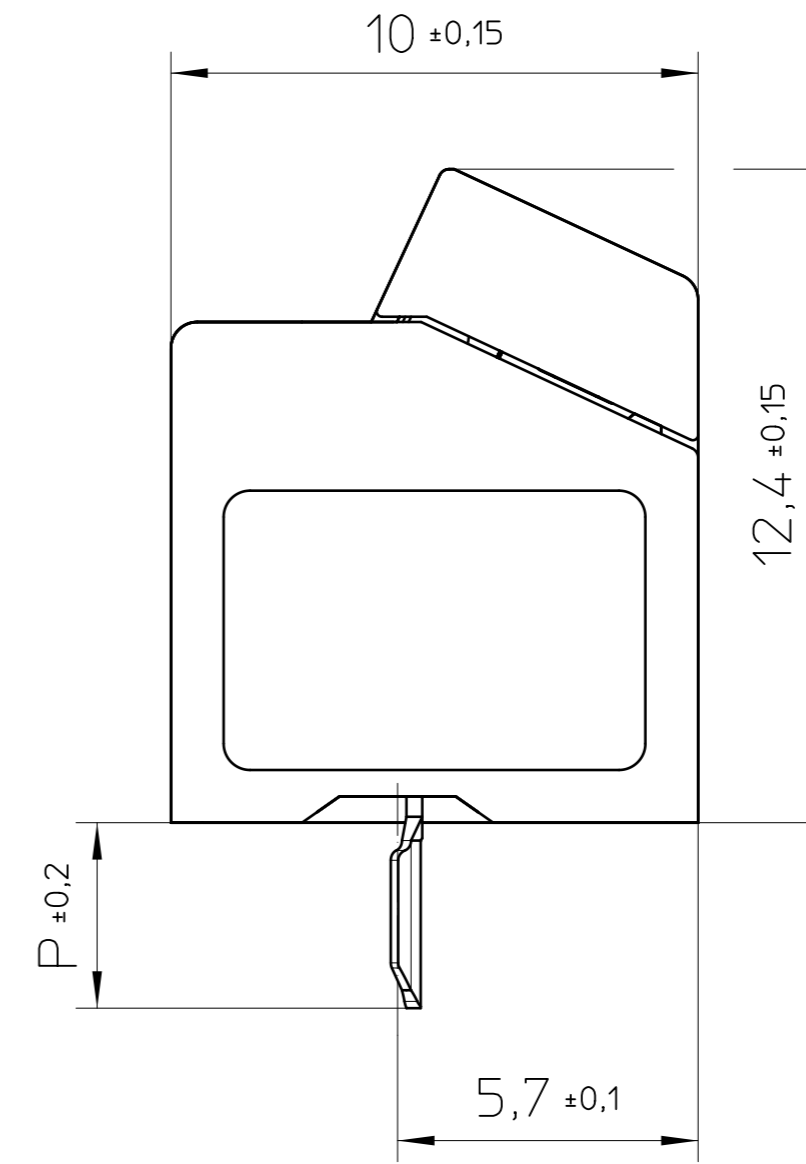
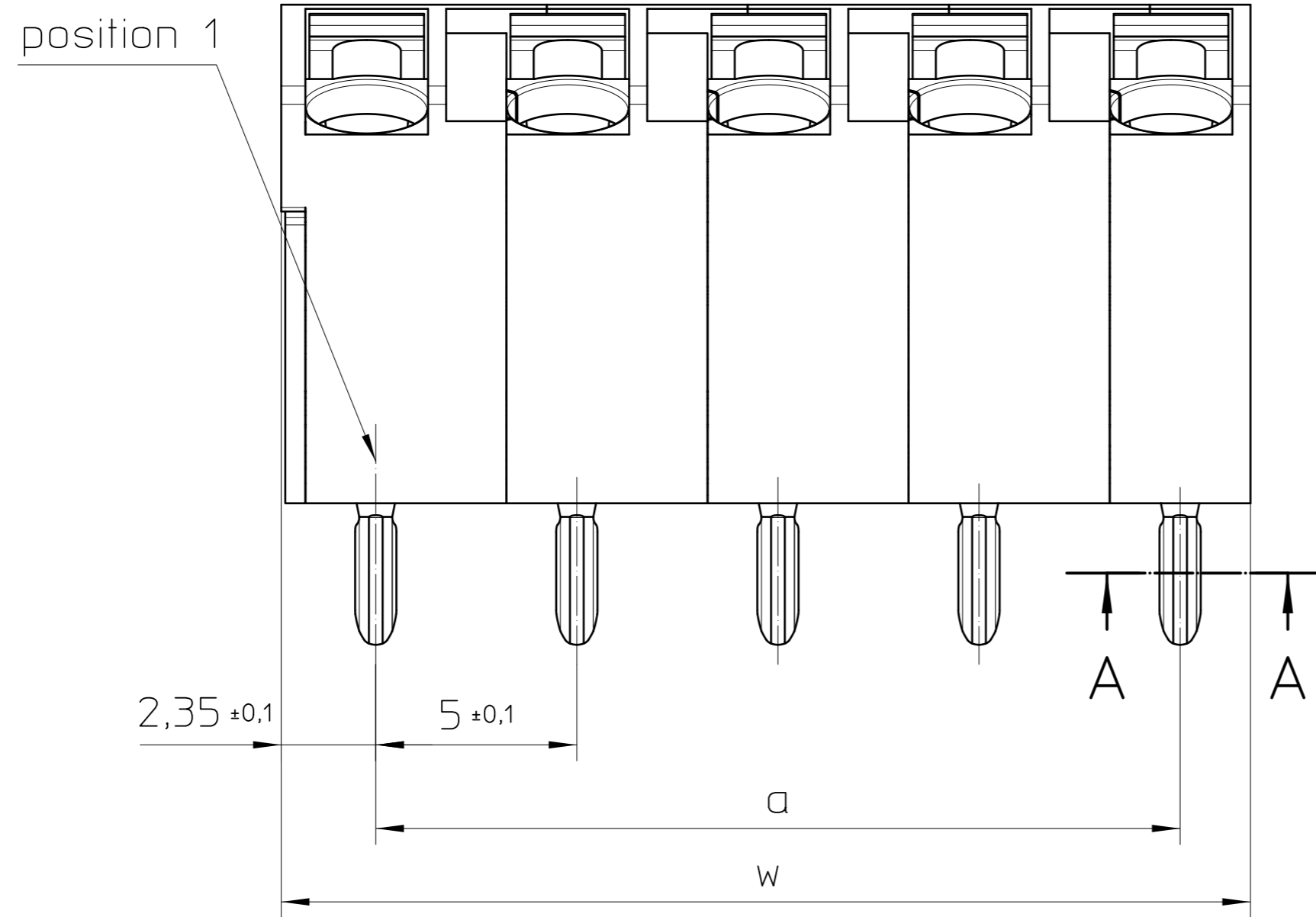
- A. Housing lower part BC 107,6 UT HBUS...
- B. Housing upper part BC 107,6 OT...
- C. pivot point
- D. Mounting rail like EN 60715: TH 35-7,5 or mounting rail TH 35-15x1,5 similar to EN 60715
- E. Hole for sealing



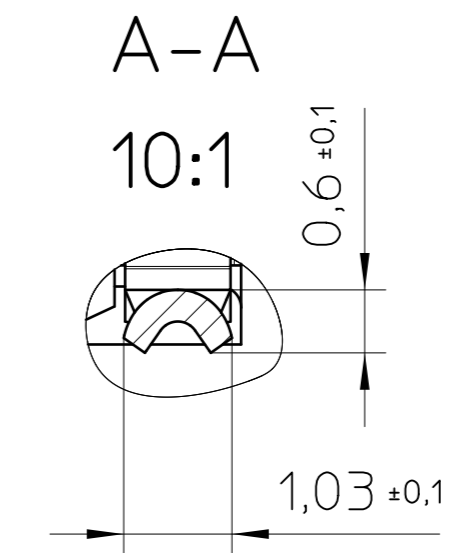
KIT (not mounted)			
Pos.	QTY	Description	Material
1	1	COVER	PC
2	1	PLATE	PC
DIN A3		document-No. / RI 01455523 / 00	date 03.06.2022
PHOENIX CONTACT		ident.-No. 1456991	document-type TECDC 2D_Productdrawing
page 5 of 6		description BC 107,6-SKT-U11-7035+4SPTA10	
		scale 1:1	

Transfer or duplication of this document as well as the utilisation or communication of its content are not permitted unless express consent is granted. Violations give rise to claims for damages. All rights reserved in case of patent, utility model or design patent registrations. Tolerance specifications do not include clearances inherent in the design.

Weitergabe sowie Vervielfältigung dieses Dokuments, Verwertung und Mitteilung seines Inhalts sind verboten, soweit nicht ausdrücklich gestattet. Zuwiderhandlungen verpflichten zu Schadenersatz. Alle Rechte für den Fall der Patent-, Gebrauchsmuster- oder Designeintragung vorbehalten. Bauartbedingtes Spiel ist in den Toleranzangaben nicht berücksichtigt.



pos.	dim. a	dim. w
2	5,00 ± 0,10	9,10 ± 0,15
3	10,00 ± 0,15	14,10 ± 0,15
4	15,00 ± 0,15	19,10 ± 0,20
5	20,00 ± 0,20	24,10 ± 0,20
6	25,00 ± 0,20	29,10 ± 0,20
7	30,00 ± 0,20	34,10 ± 0,20
8	35,00 ± 0,20	39,10 ± 0,20
9	40,00 ± 0,20	44,10 ± 0,20
10	45,00 ± 0,20	49,10 ± 0,20
11	50,00 ± 0,20	54,10 ± 0,25
12	55,00 ± 0,25	59,10 ± 0,25
13	60,00 ± 0,25	64,10 ± 0,25
14	65,00 ± 0,25	69,10 ± 0,25
15	70,00 ± 0,25	74,10 ± 0,25



	document-No. / RI	date	scale	- Simplified representation - Document excluded from change process - Linear dimensions [mm] - EN ISO 291 23/50
	01455523 / 00	03.06.2022	5:1	
	document-type	description		
	TECDOC 2D_Productdrawing	BC 107,6-KIT-U11-7035 + 4SPTA10		
page 6	of 6			