

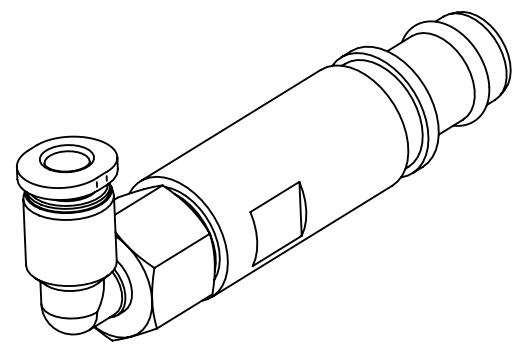
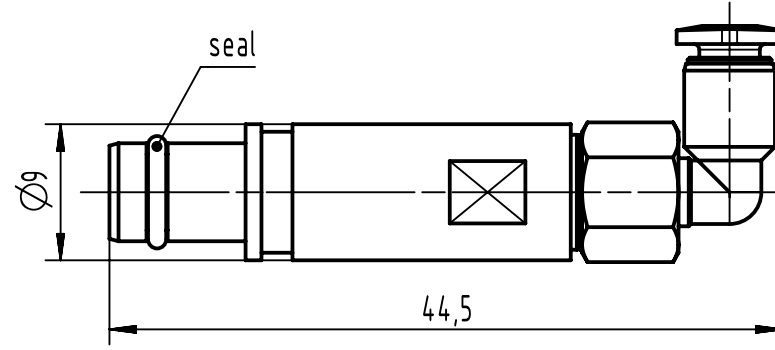
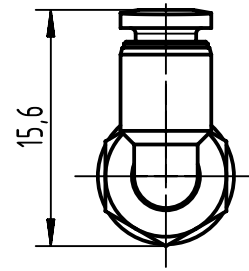
1 2 3 4 5 6


A

B

C

D



	All rights reserved Department EL PD	Created by SPRENB	Inspected by SCHNIEDER	Standardisation SAP_WFRT	Date 2022-04-06	State Final Release
		Title Pneum. contact metal OD 3mm male angled		Doc-Key / ECM-Nr. 100730970/UGD/002/C 500000214999		
HARTING D-32339 Espelkamp		Type TB	Number 09 14 000 7353		Rev. C	Page 1/1