

1

2

3

4

A

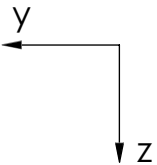
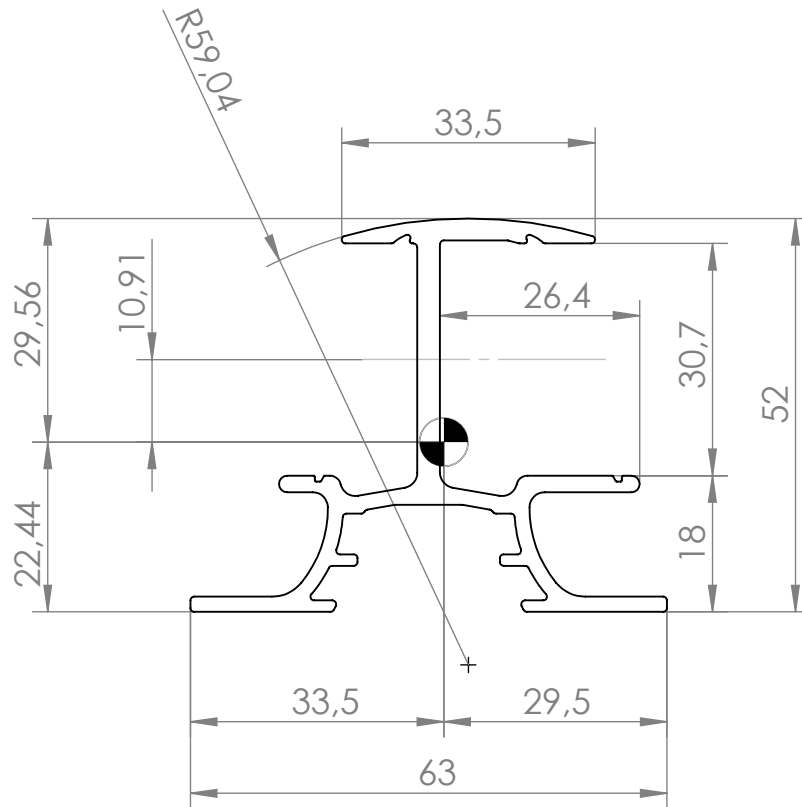
B

C

D

E

F



Characteristics for calculation:

$$A = 4,22 \text{ cm}^2$$

$$I_y = 13,29 \text{ cm}^4$$

$$I_z = 7,85 \text{ cm}^4$$

$$W_y = 4,41 \text{ cm}^3$$

$$W_z = 2,44 \text{ cm}^3$$

$$W_t = 0,24 \text{ cm}^3$$



K2 Systems GmbH
Industriestr. 18
71272 Renningen
Germany
+49 7159 42059-0

Designation:

Data sheet
InsertionRail 30
Extrusion

Name	Date	Material:	Item no.:	A4
Designed E. Markou	20.04.2023	EN AW 6063 T66	2004340	
Approved M. Aydemir	20.04.2023	Surface: mill finish	Drawing no.: 01-355-00	All dimensions in mm
Last change		Weight: ca. 1140 g/m	Scale: 1:1	Sheet 1 of 1

This drawing is the sole property of K2 Systems GmbH. It is protected by copyright and may only be copied, reproduced or distributed to a third party with explicit permission!