

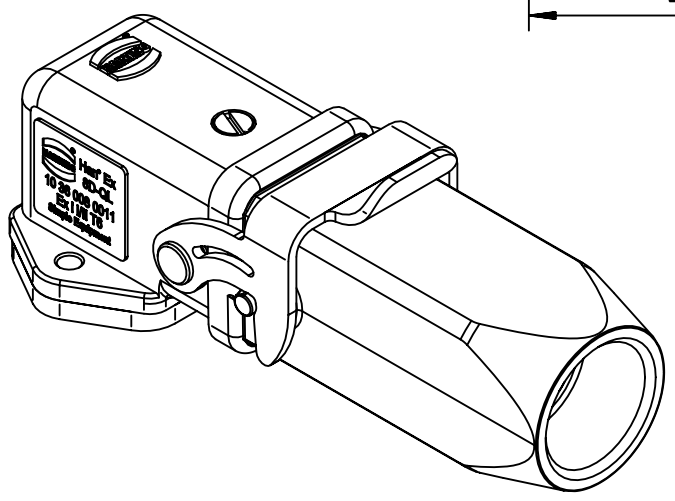
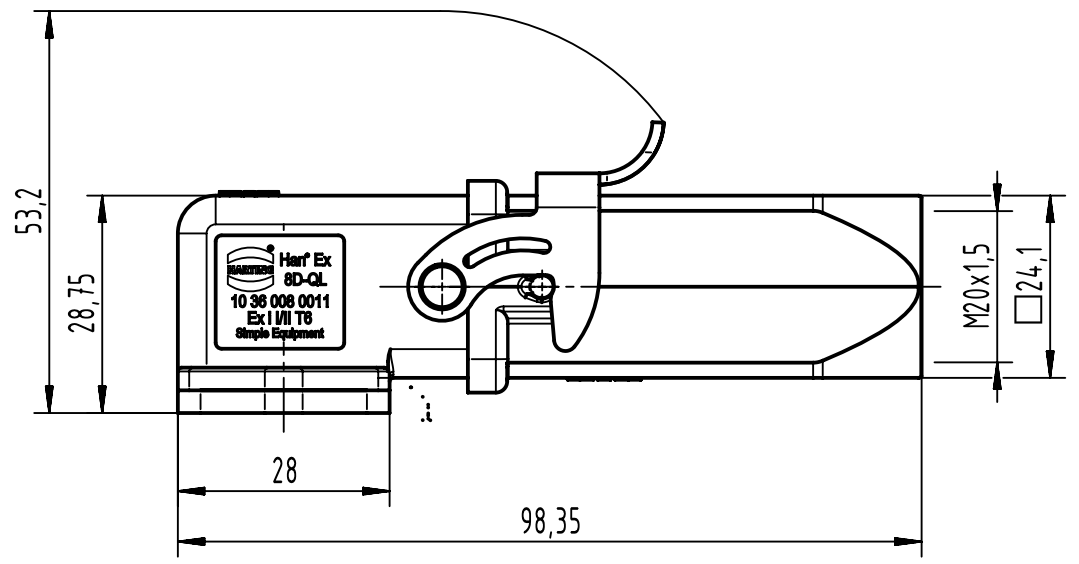
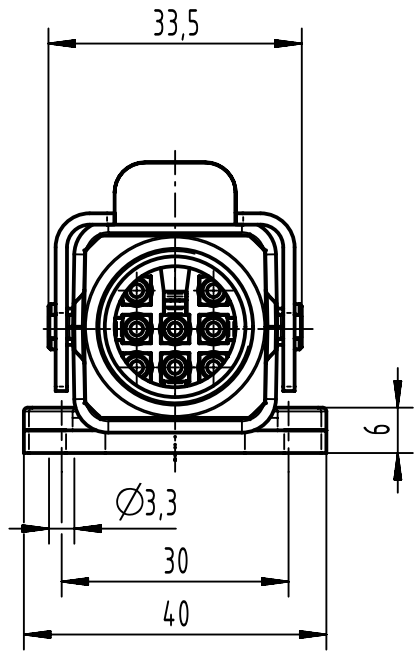
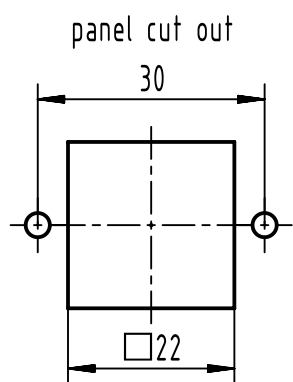
1 2 3 4 5 6


A

B

C

D



	All rights reserved		Scale 1:1		Free size tol.		Ref.	
	Department EL PD		Created by HELLMANN	Inspected by RIEPE	Standardisation SAP_WFRT	Date 2022-07-05	State Final Release	
HARTING D-32339 Espelkamp			Title Han Ex 8D-QL Kit HBM angled/HTE-M20				Doc-Key / ECM-Nr. 100571513/UGD/002/C 500000220394	
			Type TB	Number 10 36 008 0011			Rev. C	Page 1/1