

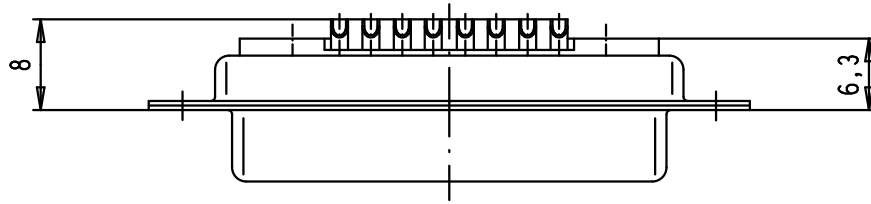
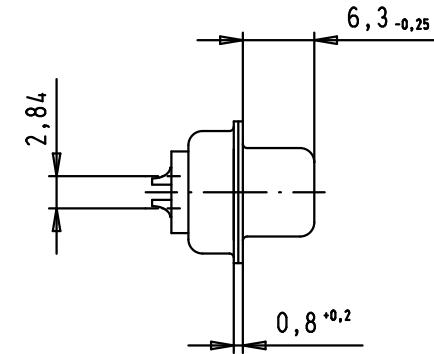
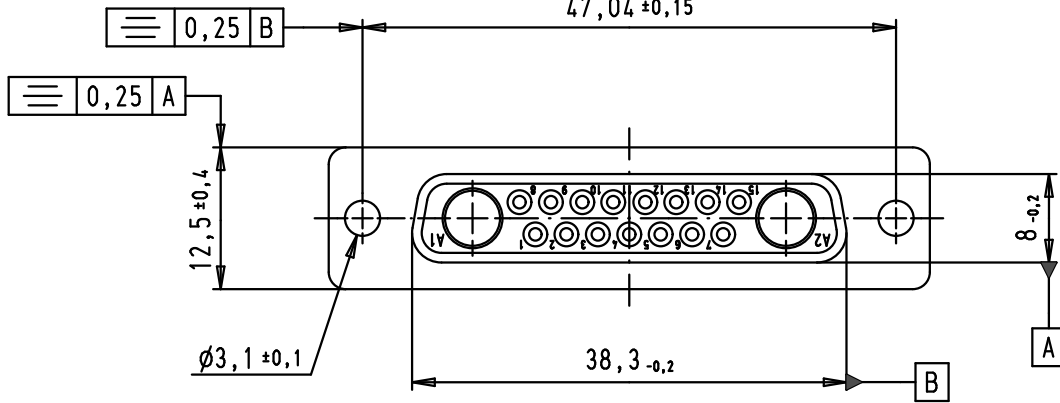
5

4

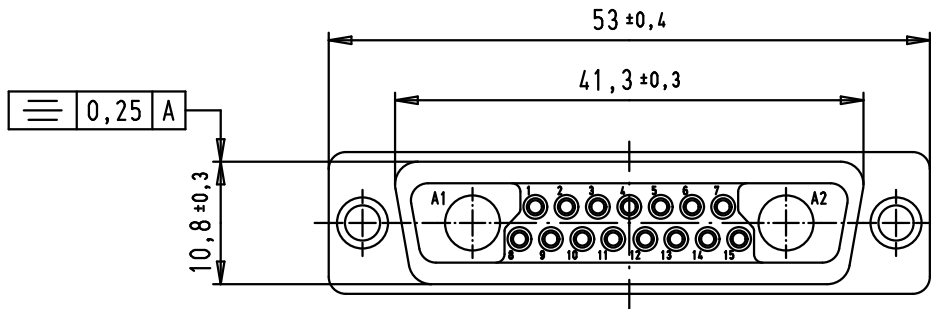
3

2

1



Solder bucket termination for AWG 20



				Det.	Name	<p>All Dim. in mm Orig. Size DIN A 4</p>
			Detail.	21/04/10	PK	
			Insp.			
			Stand.			
EC01706	21/04/10	SC	HARTING EURL F-95972 Paris			
34390	26/07/07	PK				
Mod.	Det.	Name				

D-Sub, 17W2, female, straight, solder buckets, tin plated shell		Maßstab/ Scale 1,5:1
TB 09 69 301 x172		Blatt/ Page 1/1
Sub.		

09 69 301 7172	PL3
09 69 301 5172	S4
Part number	Performance level