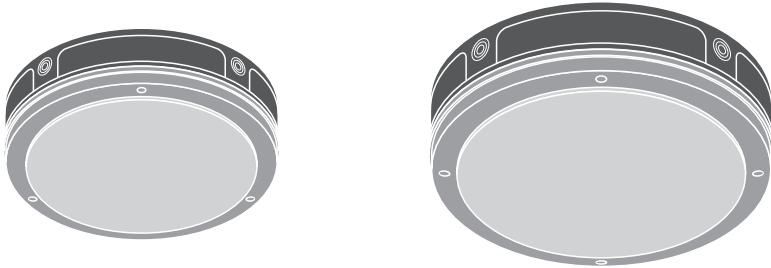


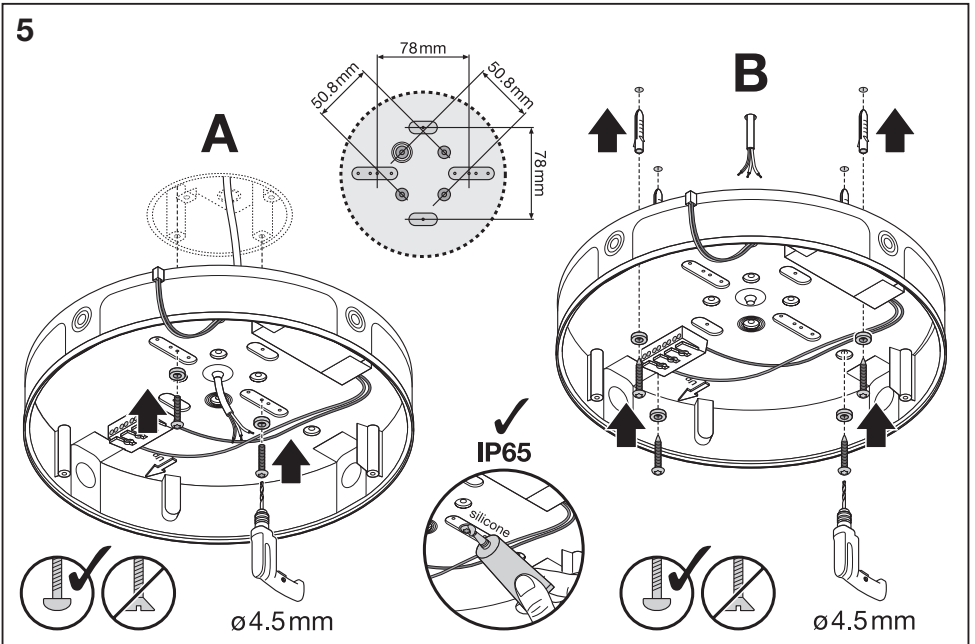
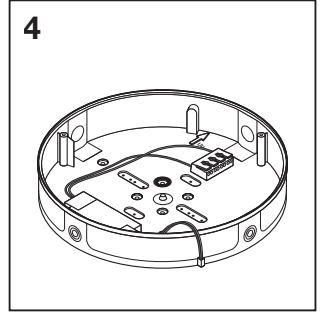
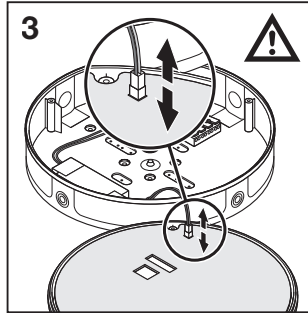
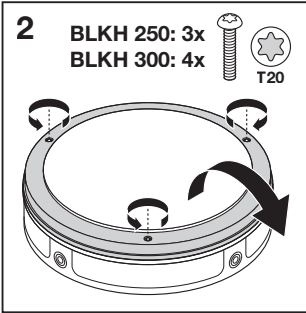
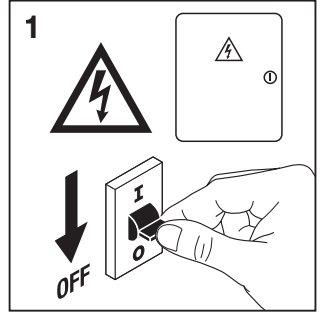
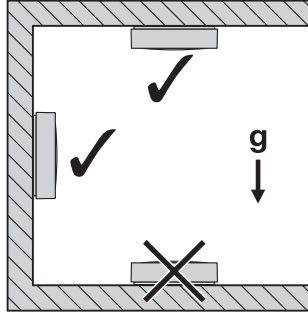
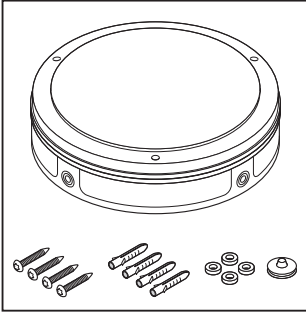
SURFACE BULKHEAD SENSOR

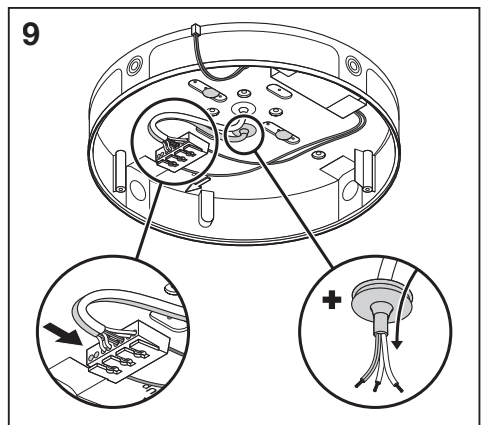
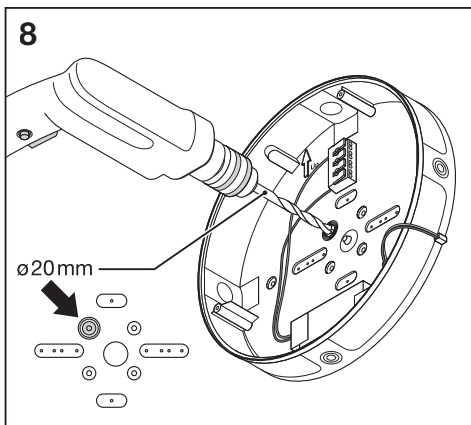
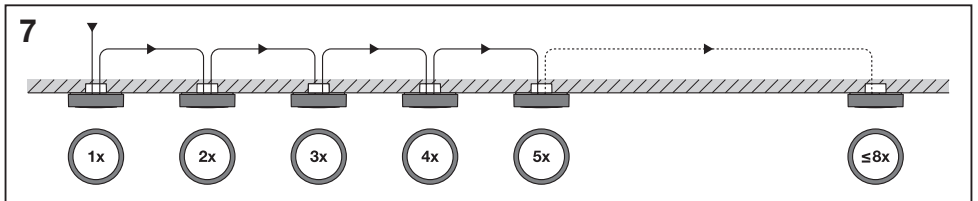
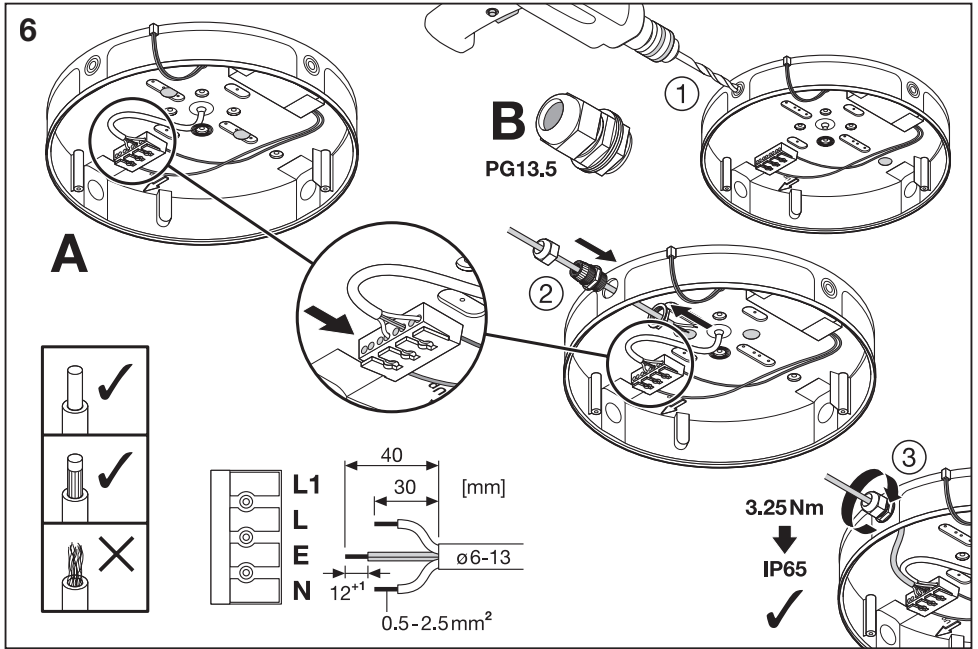
SURFACE BULKHEAD SENSOR EMERGENCY

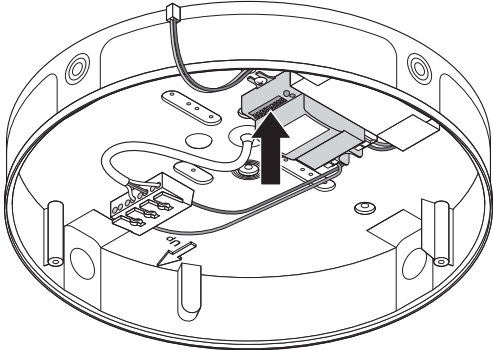
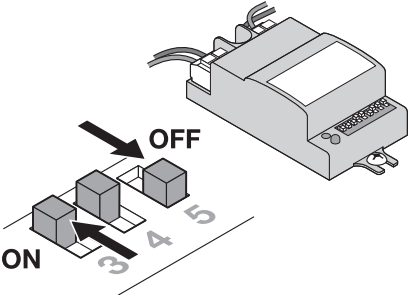



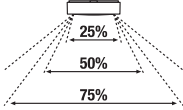
	EAN	Ø x h [mm]	W	W _R	V _{AC}	Hz	lm	lm/W	K
SF BLKH S 250 P 10W 830 WT IP65	4058075647220	250x70	10	9	220-240V	50/60Hz	800	80	3000
SF BLKH S 250 P 10W 840 WT IP65	4058075647244	250x70	10	9	220-240V	50/60Hz	800	80	4000
SF BLKH S 250 P 10W 830 BK IP65	4058075647268	250x70	10	9	220-240V	50/60Hz	800	80	3000
SF BLKH S 250 P 10W 840 BK IP65	4058075647282	250x70	10	9	220-240V	50/60Hz	800	80	4000
SF BLKH S 250 P 10W 830 WT IP65 EM	4058075647381	250x70	10	12	220-240V	50/60Hz	800	80	3000
SF BLKH S 250 P 10W 840 WT IP65 EM	4058075647404	250x70	10	12	220-240V	50/60Hz	800	80	4000
SF BLKH S 250 P 10W 830 BK IP65 EM	4058075647428	250x70	10	12	220-240V	50/60Hz	800	80	3000
SF BLKH S 250 P 10W 840 BK IP65 EM	4058075647442	250x70	10	12	220-240V	50/60Hz	800	80	4000
SF BLKH S 300 P 15W 830 WT IP65	4058075647541	300x70	15	14	220-240V	50/60Hz	1400	95	3000
SF BLKH S 300 P 15W 840 WT IP65	4058075647565	300x70	15	14	220-240V	50/60Hz	1400	95	4000
SF BLKH S 300 P 15W 830 BK IP65	4058075647589	300x70	15	14	220-240V	50/60Hz	1400	95	3000
SF BLKH S 300 P 15W 840 BK IP65	4058075647602	300x70	15	14	220-240V	50/60Hz	1400	95	4000
SF BLKH S 300 P 15W 830 WT IP65 EM	4058075647701	300x70	15	17	220-240V	50/60Hz	1400	95	3000
SF BLKH S 300 P 15W 840 WT IP65 EM	4058075647725	300x70	15	17	220-240V	50/60Hz	1400	95	4000
SF BLKH S 300 P 15W 830 BK IP65 EM	4058075647749	300x70	15	17	220-240V	50/60Hz	1400	95	3000
SF BLKH S 300 P 15W 840 BK IP65 EM	4058075647763	300x70	15	17	220-240V	50/60Hz	1400	95	4000

	EAN	IP	IK	∠	R _a	°(°C)	PF	👤
SF BLKH S 250 P 10W 830 WT IP65	4058075647220	65	10	120°	> 80	-20...+40	≥ 0.5	0.6 kg
SF BLKH S 250 P 10W 840 WT IP65	4058075647244	65	10	120°	> 80	-20...+40	≥ 0.5	0.6 kg
SF BLKH S 250 P 10W 830 BK IP65	4058075647268	65	10	120°	> 80	-20...+40	≥ 0.5	0.6 kg
SF BLKH S 250 P 10W 840 BK IP65	4058075647282	65	10	120°	> 80	-20...+40	≥ 0.5	0.6 kg
SF BLKH S 250 P 10W 830 WT IP65 EM	4058075647381	65	10	120°	> 80	+5...+40	≥ 0.5	0.9 kg
SF BLKH S 250 P 10W 840 WT IP65 EM	4058075647404	65	10	120°	> 80	+5...+40	≥ 0.5	0.9 kg
SF BLKH S 250 P 10W 830 BK IP65 EM	4058075647428	65	10	120°	> 80	+5...+40	≥ 0.5	0.9 kg
SF BLKH S 250 P 10W 840 BK IP65 EM	4058075647442	65	10	120°	> 80	+5...+40	≥ 0.5	0.9 kg
SF BLKH S 300 P 15W 830 WT IP65	4058075647541	65	10	120°	> 80	-20...+40	≥ 0.7	0.8 kg
SF BLKH S 300 P 15W 840 WT IP65	4058075647565	65	10	120°	> 80	-20...+40	≥ 0.7	0.8 kg
SF BLKH S 300 P 15W 830 BK IP65	4058075647589	65	10	120°	> 80	-20...+40	≥ 0.7	0.8 kg
SF BLKH S 300 P 15W 840 BK IP65	4058075647602	65	10	120°	> 80	-20...+40	≥ 0.7	0.8 kg
SF BLKH S 300 P 15W 830 WT IP65 EM	4058075647701	65	10	120°	> 80	+5...+40	≥ 0.7	1.1 kg
SF BLKH S 300 P 15W 840 WT IP65 EM	4058075647725	65	10	120°	> 80	+5...+40	≥ 0.7	1.1 kg
SF BLKH S 300 P 15W 830 BK IP65 EM	4058075647749	65	10	120°	> 80	+5...+40	≥ 0.7	1.1 kg
SF BLKH S 300 P 15W 840 BK IP65 EM	4058075647763	65	10	120°	> 80	+5...+40	≥ 0.7	1.1 kg









Detection Area

1	2	3	
ON	ON	ON	100 %
-	ON	ON	75 %
ON	-	ON	50 %
-	-	ON	25 %
-	-	-	10 %



Hold Time

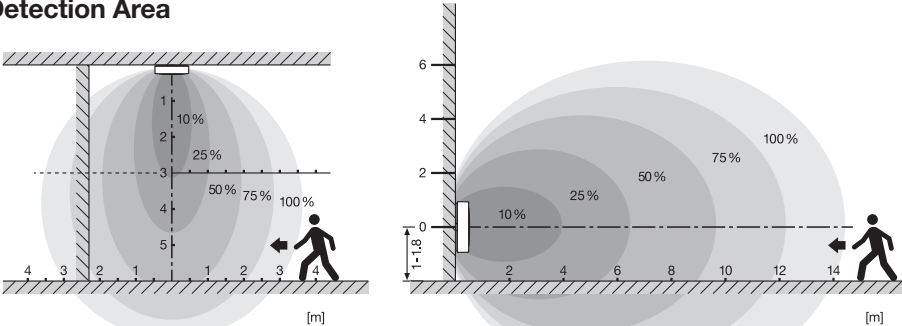
4	5	6	
ON	ON	ON	5 s
-	ON	ON	30 s
ON	-	ON	90 s
-	-	ON	3 min
ON	ON	-	20 min
-	-	-	30 min

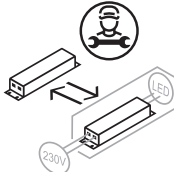



Daylight Sensor


7	8	9	
ON	ON	ON	2 LUX
ON	ON	-	10 LUX
-	ON	-	25 LUX
ON	-	-	50 LUX
-	-	-	Disable

Detection Area









LEDVANCE GmbH
Steinerne Furt 62
86167 Augsburg, Germany
www.ledvance.com

C10449057
G11126287
02.08.21