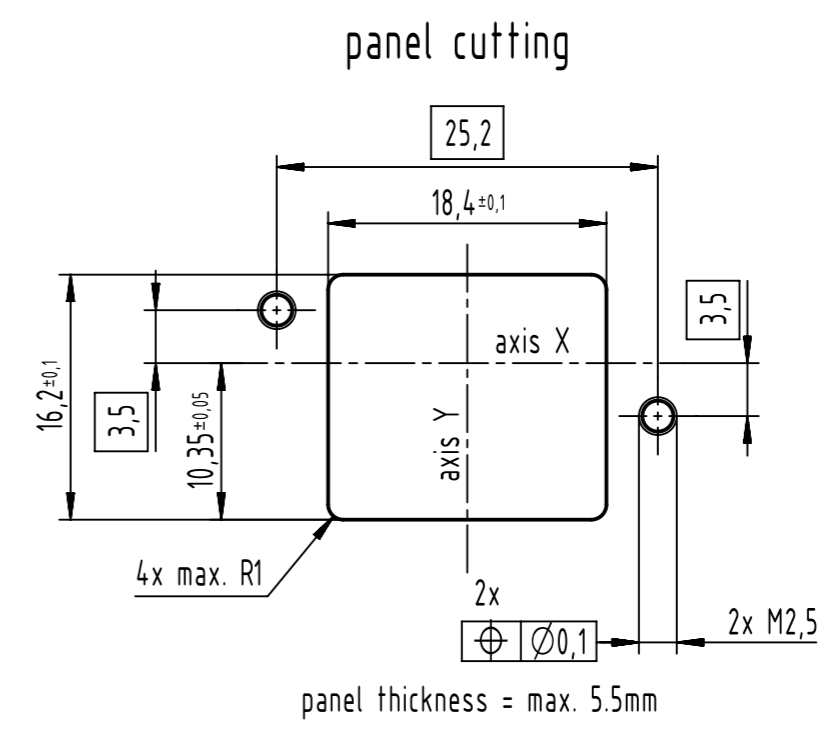
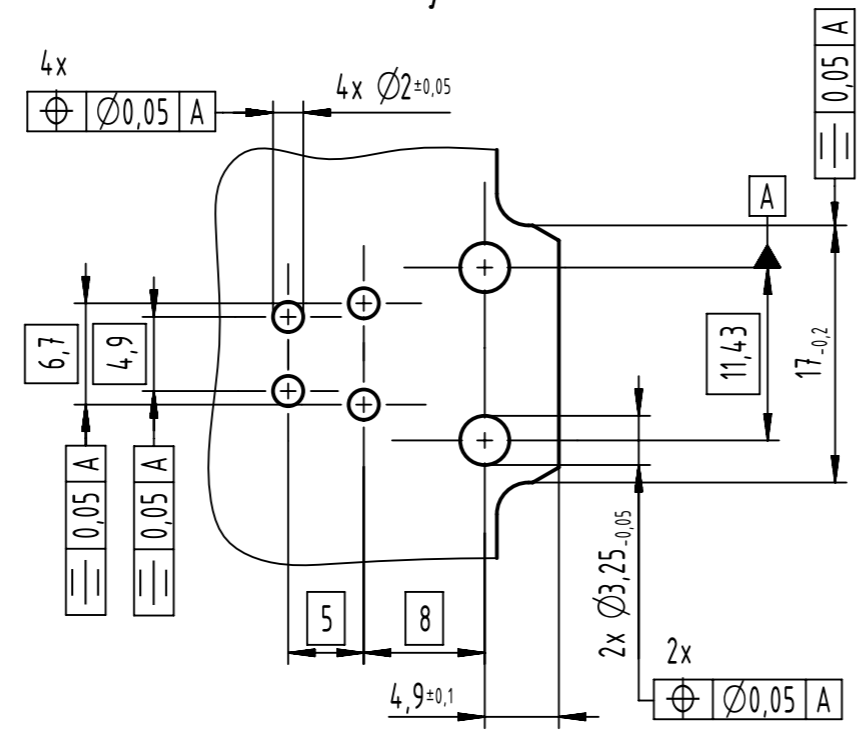
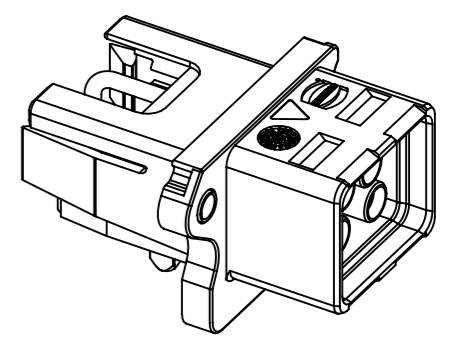
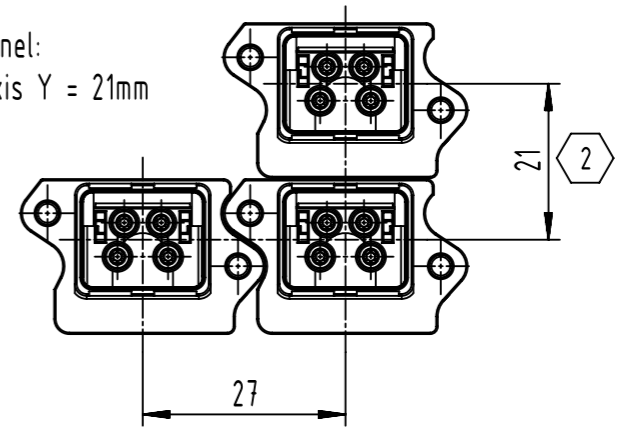


PCB layout



panel cutting

connector pitch on panel:
axis X = 27mm and axis Y = 21mm



- 2 connector pitch with coding clip 0945840002X Y = 23mm
 - 1 2x M2,5; screws acc. to ISO 4762; please order separately; bolting torque 0.3Nm - 0.5Nm
- further information see product data sheet

	All rights reserved	Created by STORCK	Inspected by TADJE	Standardisation 302077	Date 2021-04-29	State Final Release
	Department EL PD	Title HARTING PushPull V4 Compact Housing 48V/12A			Doc-Key / ECM-Nr. 100671824/UGD/000/F 500000194222	
HARTING D-32339 Espelkamp	Type TB	Number 09462454020			Rev. F	Page 1/1