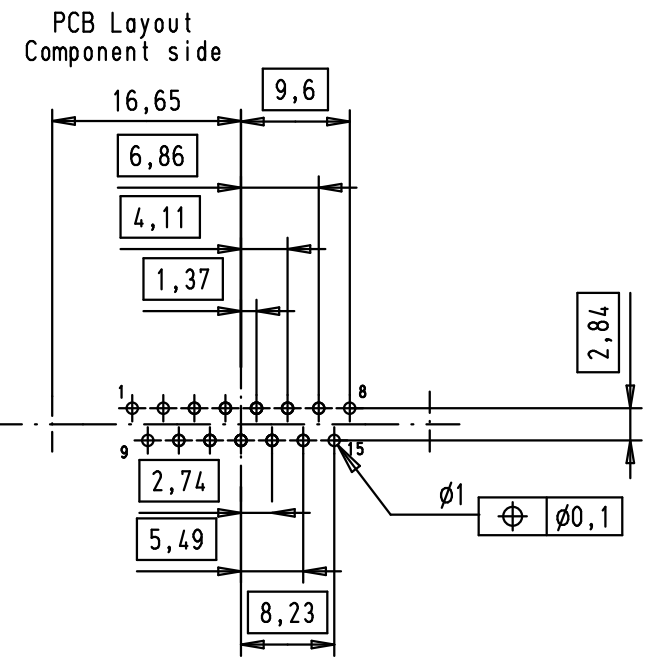
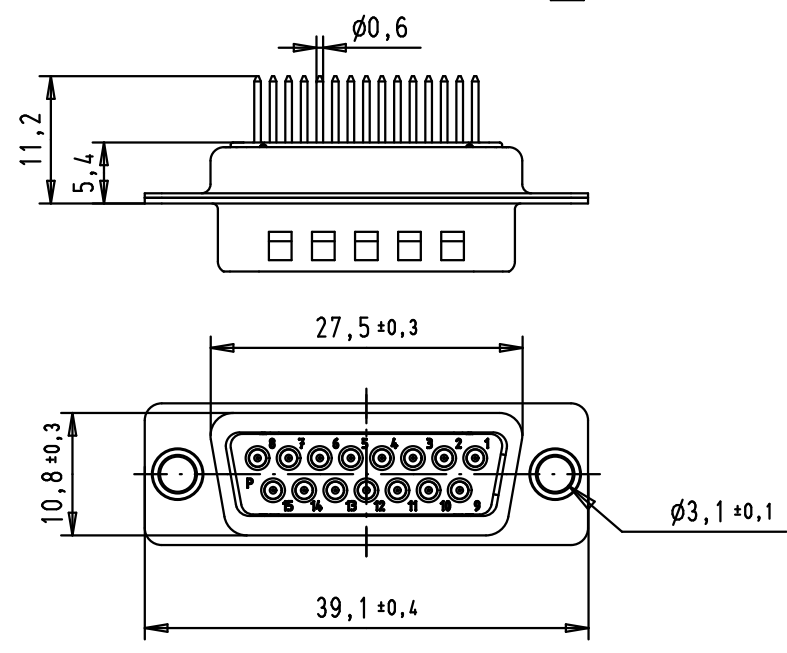


SPECIFICATION: C Filter

Performance level	PL2
Capacitance	3900pf±20%
Working Voltage	100v
Current Rating	7.5A
Insulation Resistance	>1GΩ

Minimum insertion loss

FREQUENCY (MHz)	ATTENUATION (dB)
5	6dB
10	11dB
50	25dB
100	35dB
500	35dB
1000	32dB



				Dat.	Name	<p>All Dim. in mm Orig. Size DIN A 4</p>
			Detail.	8-JUL-02	CV	
			Insp.	09/12/11	JB	
36283	09/12/11	SD	Stand.			
31867	02/02/04	AF				
31058	8-JUL-02	CV				
Mod.	Dat.	Name	HARTING EURL F-95972 Paris			

D-Sub, male, straight,  
15 Poles, with turned  
solder pin and hole

Ma?Mstab/  
Scale  
1.5:1

TB 09642227240

Blatt/ Page  
1 / 1

Sub.