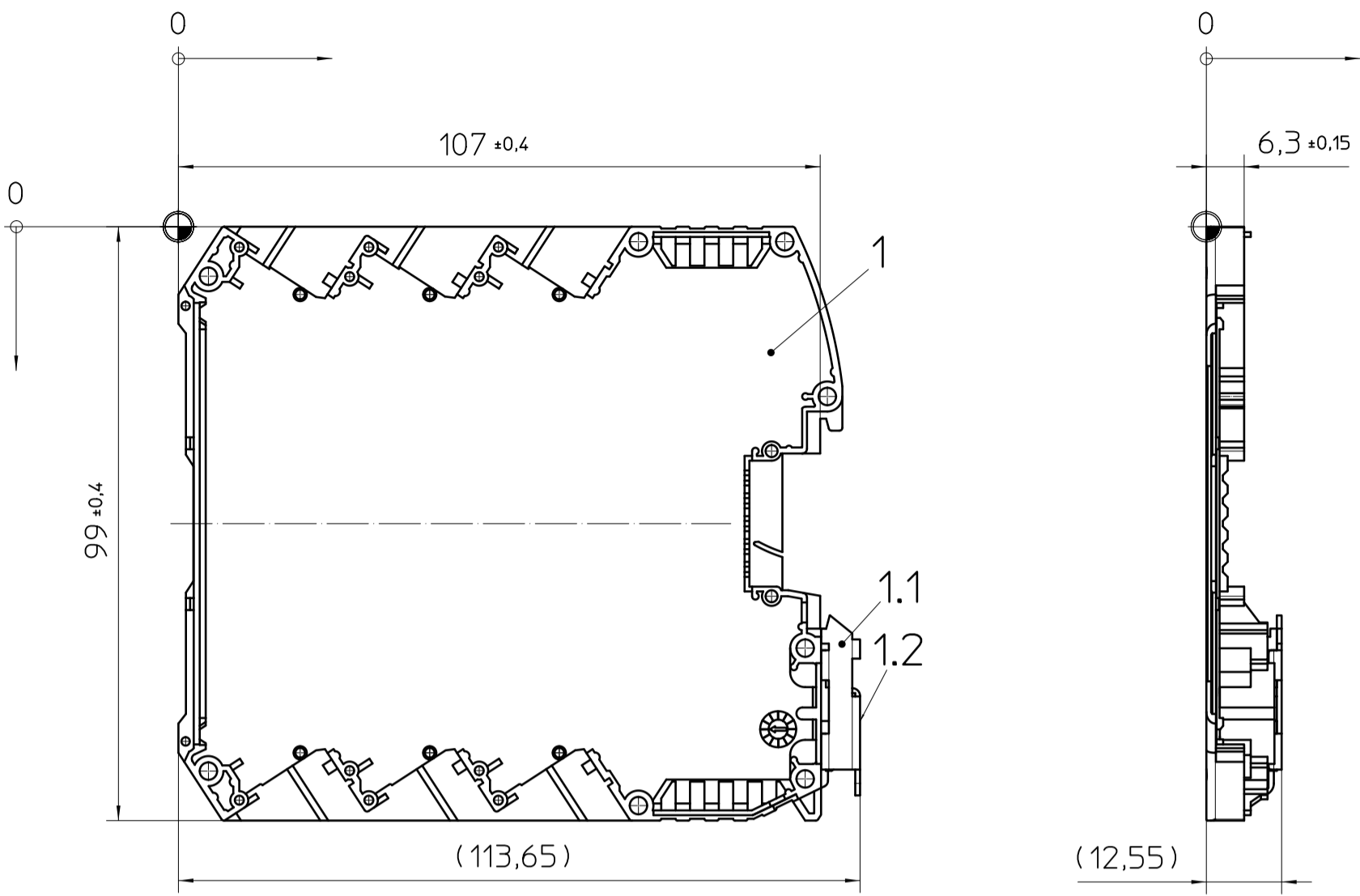
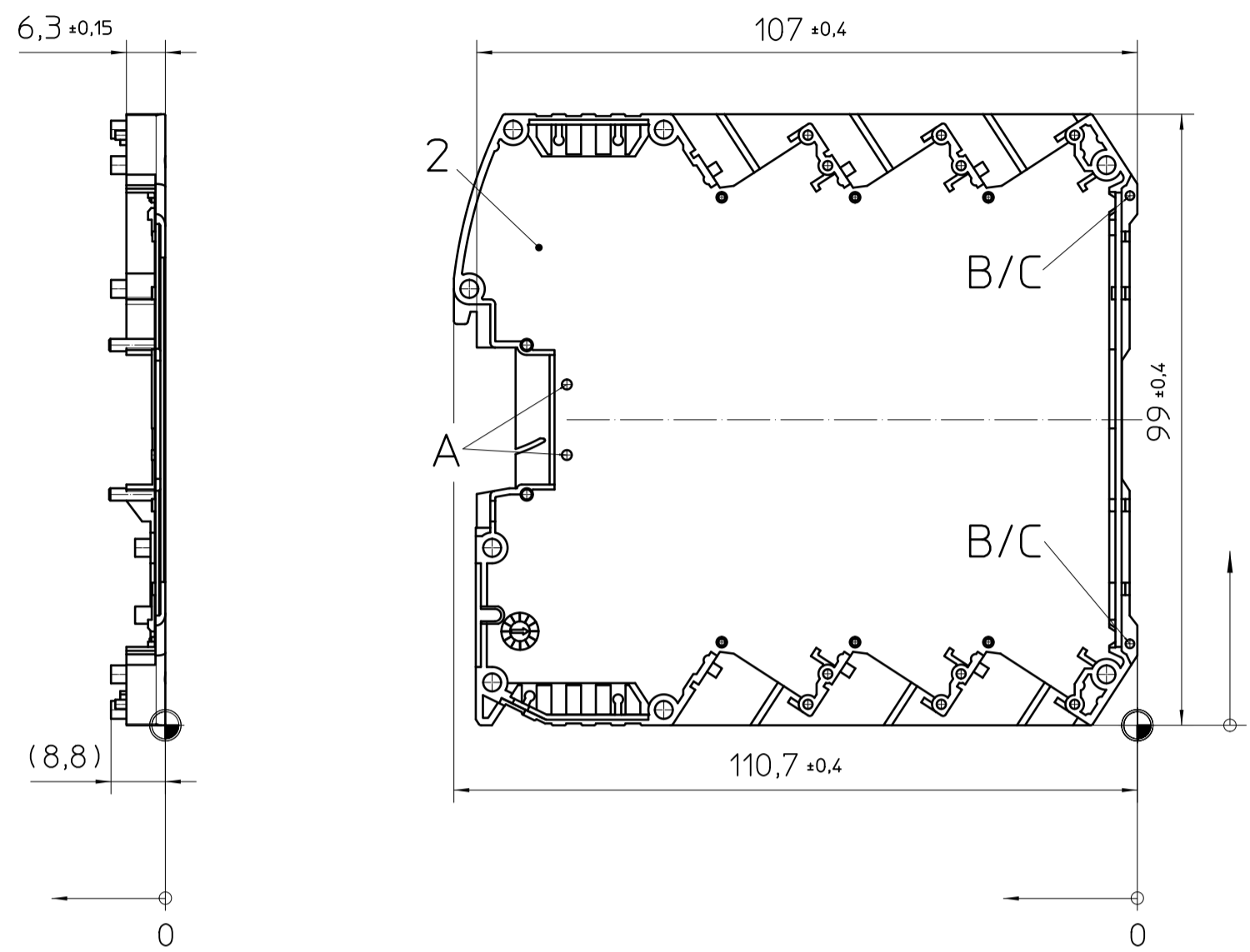


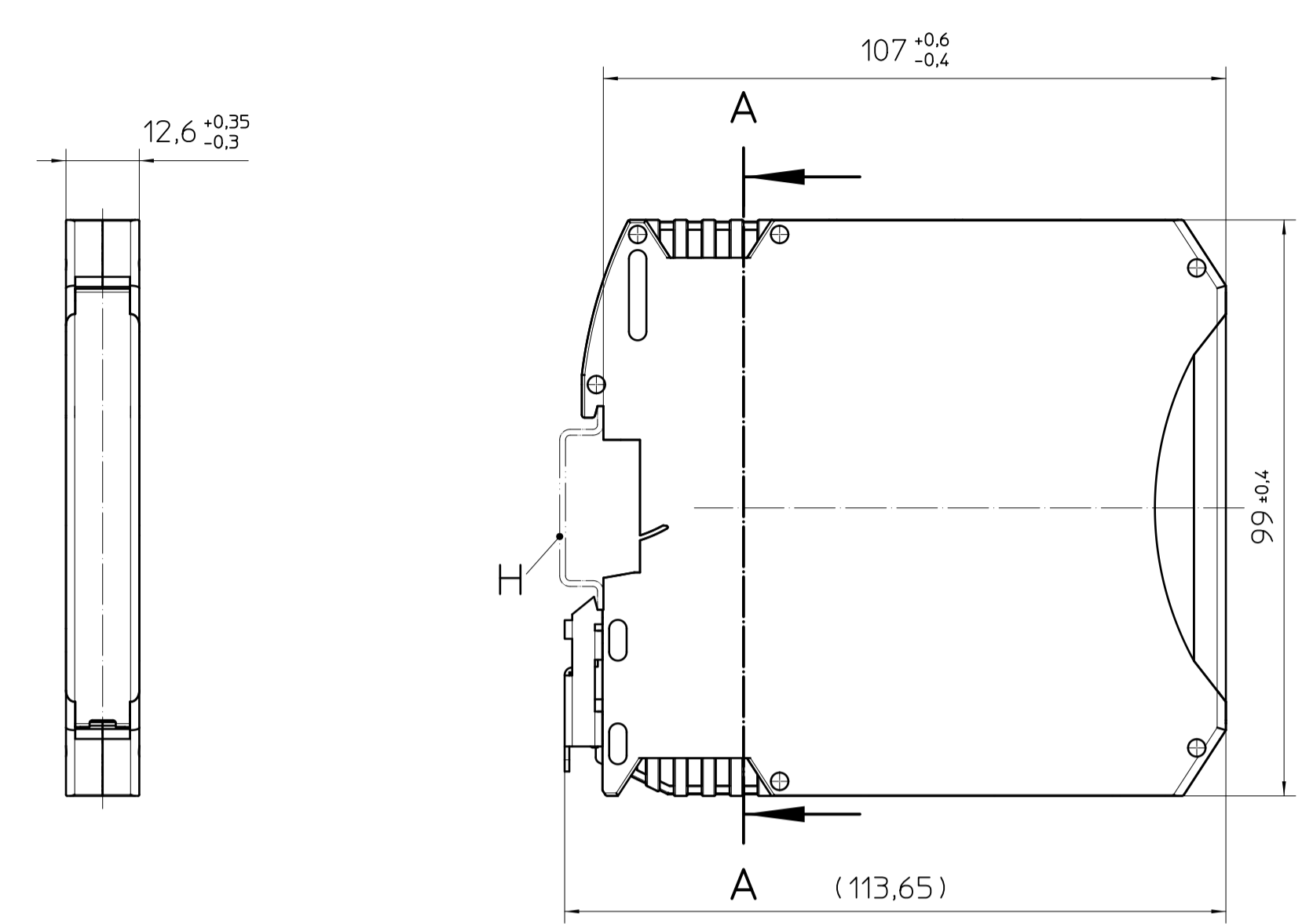
HOUSING LEFT



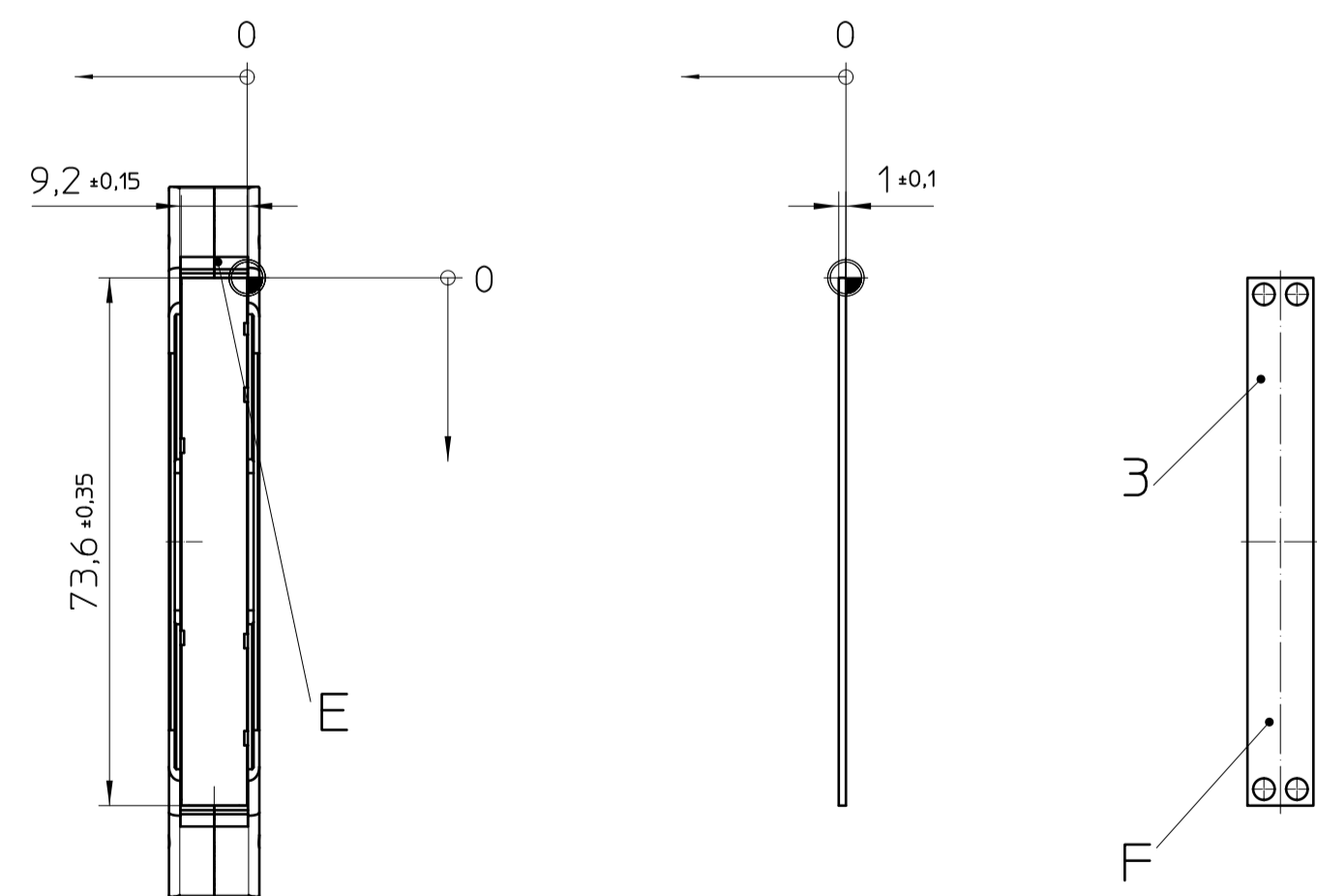
HOUSING RIGHT



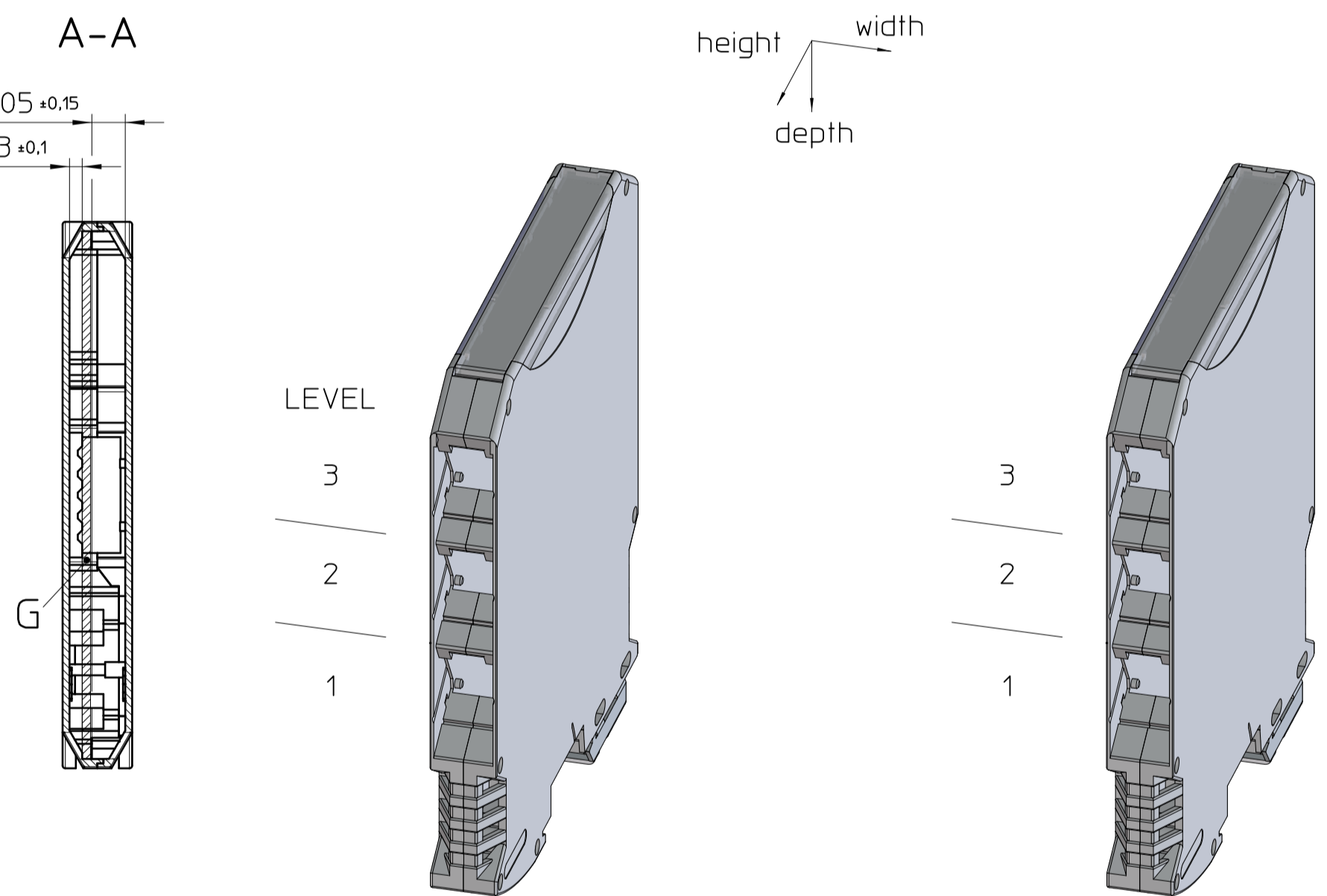
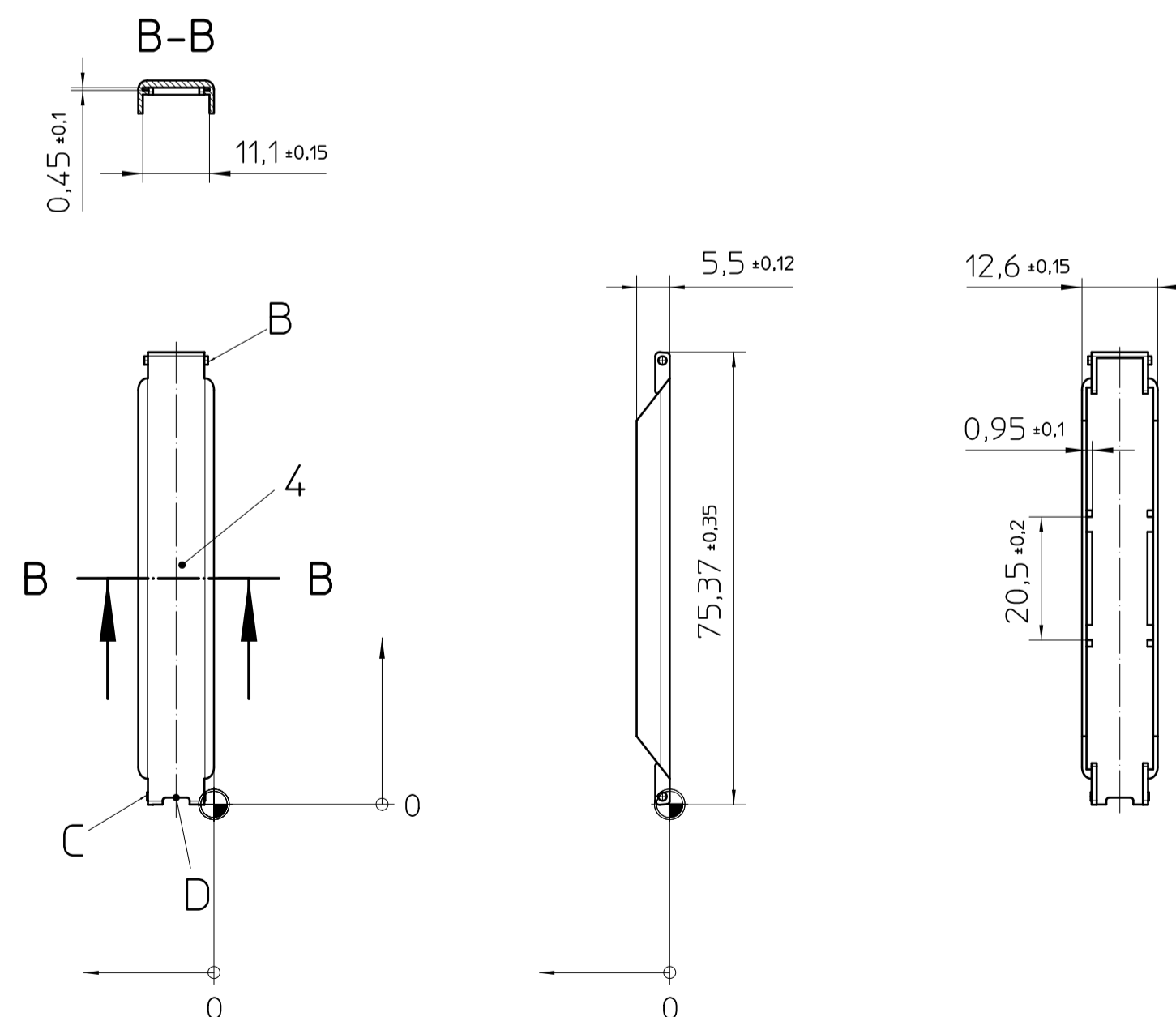
Assembly example: ME MAX 12,5 3-3 TBUS



FRONT PLATE



HINGED COVER



Weitergabe sowie Vervielfältigung dieses Dokuments, Verwertung und Mitteilung seines Inhalts sind verboten, soweit nicht ausdrücklich gestattet. In diesem Fall sind die Patente-, Gebrauchsmuster- oder Designrechte vorbehalten.

General Information:
 - Simplified representation, exemplary shown in gray.
 - Document excluded from change process
 - Units are in millimeters [mm] and degrees [°]
 - Tolerances apply in a normal climate according to DIN EN ISO 291-23/50-2.
 - PA plastic parts with about 2% (% by weight) moisture content.
 - Workpiece zero point for mechanical processing
 - Tolerances for mechanical processing are ISO 2768-m
 - Tolerances for printing DIN ISO 2768-m
 - Machining radii min, R1, further on request
 - Web: www.phoenixcontact.com webcode: #0903

Additional Information:
 A) Bearing for ME TBUS PST
 B) Pivot bearing HINGED COVER
 C) Locking HINGED COVER
 D) Notch for locking release, by screw driver
 E) Exposed side
 F) Inner side
 G) Recommended PCB outline on www.phoenixcontact.com webcode: #0512
 H) Mounting rail like EN 60715, TH 35-7,5 or mounting rail similar to EN 60715, TH 35-15x1,5

| KIT (not mounted) | | | |
|-------------------|-----|---------------|----------|
| Pos. | QTY | Description | Material |
| 1 | 1 | HOUSING LEFT | PA |
| 1.1 | 1 | FOOT CATCH | STL |
| 1.2 | 1 | SPRING | STL |
| 2 | 1 | HOUSING RIGHT | PA |
| 3 | 1 | FRONT PLATE | PA |
| 4 | 1 | HINGED COVER | PC |