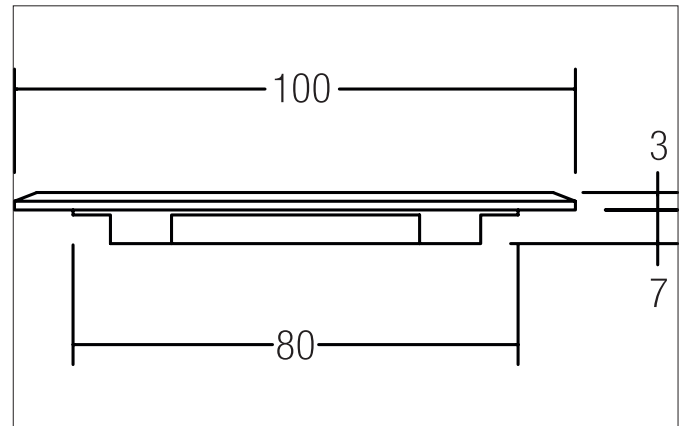
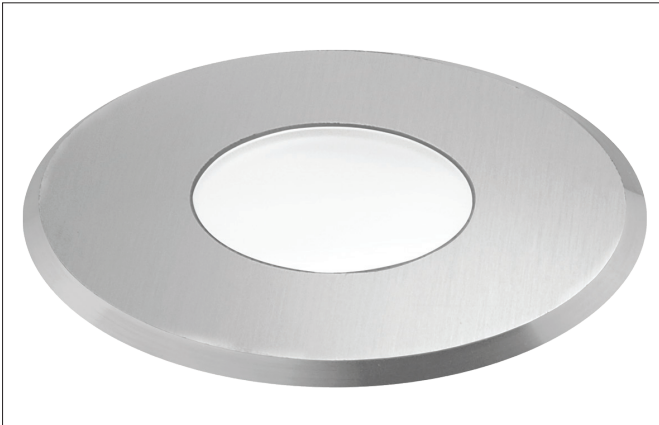


RESEDA-R Floor recessed light

Article no. 3900WW

Light.
For Generations.**Tender**

Floor recessed light, Round. Ceiling cut-out Ø 80 mm, Installation depth 7 mm, Outer diameter 100 mm, Weight 0,076 kg, with rotations-symmetrical, deep, wide distributed light intensity. optimal light distribution due to a plastic, opal cover. Power 1 x 0,4 W, Light colour warm white, Correlated color temperature (CCT) 3.000 K, Colour rendering index , Housing material: Stainless steel / Acrylic, Colour: Stainless steel, Permissible ambient temperature (ta): -20 °C - +25 °C, Protection class (EN 61140): III, Degree of protection (DIN EN 60529): IP44, .For connection to an external driver, which is not included in the scope of delivery of the luminaire. on/off switchable.

Article data	
Article no.	3900WW
GTIN	4250047770190
Series name	RESEDA-R
Short description	Floor recessed light
Material	Stainless steel / Acrylic
Colour	Stainless steel
Shape	Round
Outer diameter	100 mm
Built-in diameter	80 mm
Installation depth	7 mm
Hight	3 mm
Weight	0.076 kg

RESEDA-R Floor recessed light

Article no. 3900WW



Light.
For Generations.

Lighting technology	
Colour temperature	3.000 K
Light colour	White
System efficiency	0 lm/W
Reflector	Without
Light sharing	Symmetric

Operating technology of the luminaire	
System output	0.4 W
Voltage type	DC
DC nominal voltage max	12 V
Lamp	LED
Lamp holder	Plug&Play
Protection class	III
Degree of protection	IP44
Control	on/off
Bulb change possible	The light source of this luminaire may only be replaced by the manufacturer or a service technician commissioned by him or a similarly qualified person.

Mounting technology	
Mounting method	Recessed mounting
Place of installation	Floor-mounted
Adjustability	Not adjustable
Further references	Indoor
Material cover	Plastic, opal

Packing data	
Gross weight	0.114 kg
Length of packaging	90 mm
Packaging width	55 mm
Packaging height	109 mm
Disposal at end of life	This product must not be disposed of with household waste. You are obliged, to dispose of such electrical waste separately. By disposing of electrical waste and other old or defective electronics separately, you support recycling or other forms of re-use. In that way you help to take care and to avoid that harmful substances get into the environment.

Accessories	
	Article no.: 3559 LED power supply 12 V DC to 3900.. / 3901.., on/off switchable Power: 0,1 - 10 W Dimensions: 57.5 mm x 19 mm
	Article no.: 3714 LED connection / connecting cable for 3900 .. / 3901 ..
	Article no.: 3715 LED connection / connecting cable for 3900 .. / 3901 ..