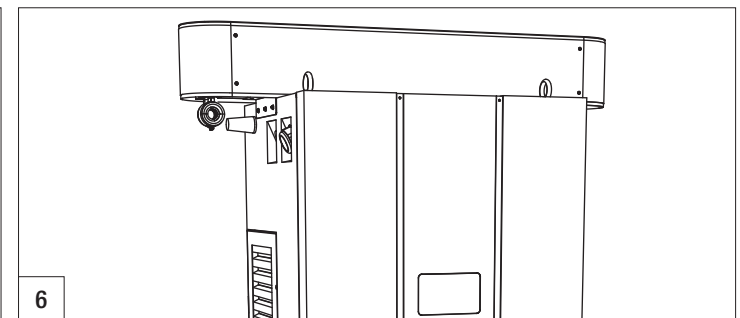
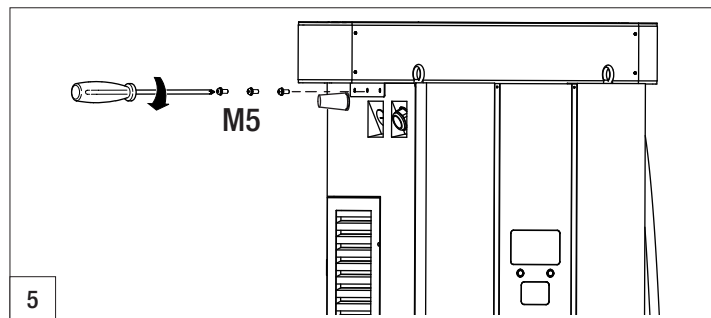
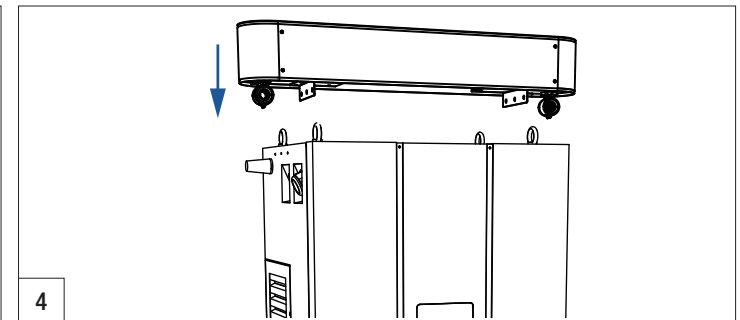
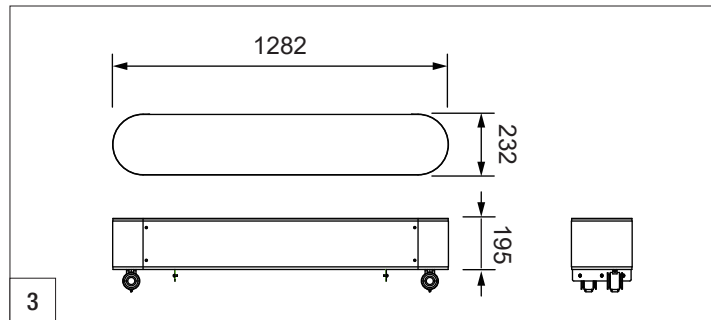
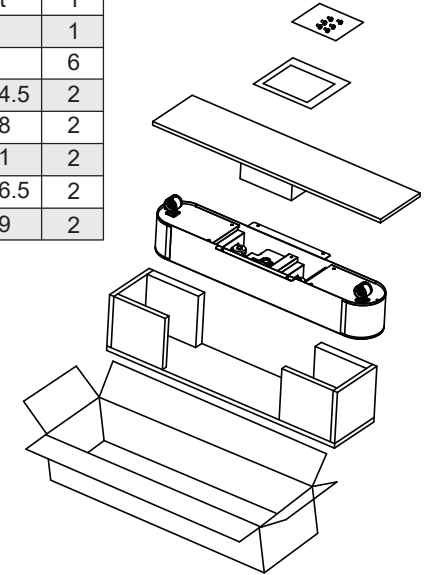
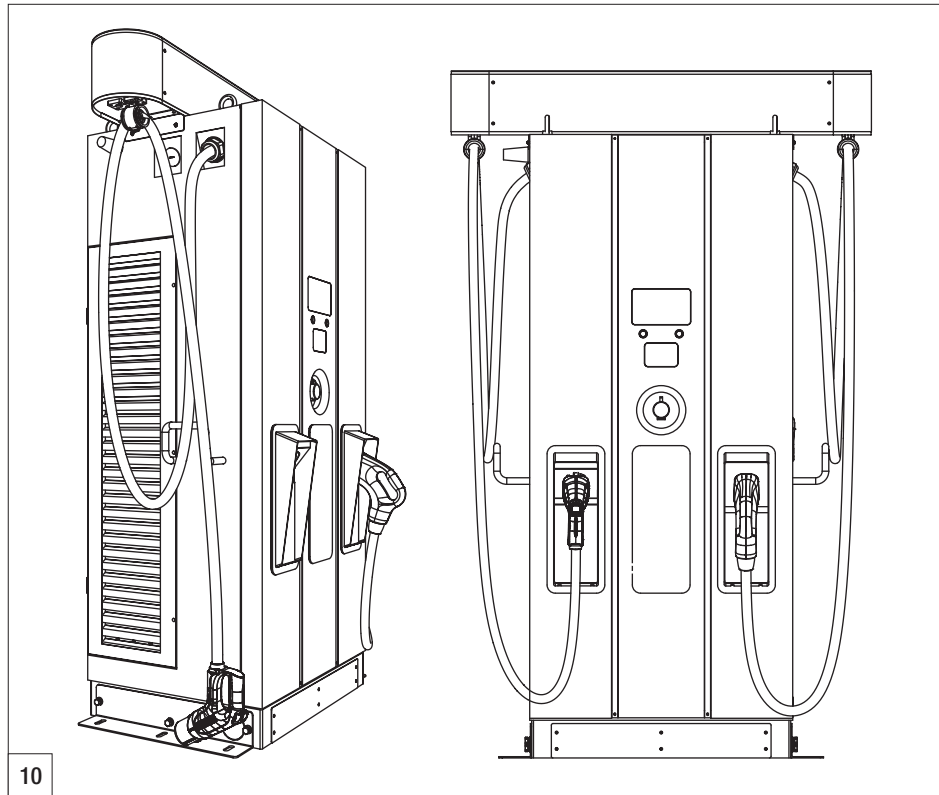
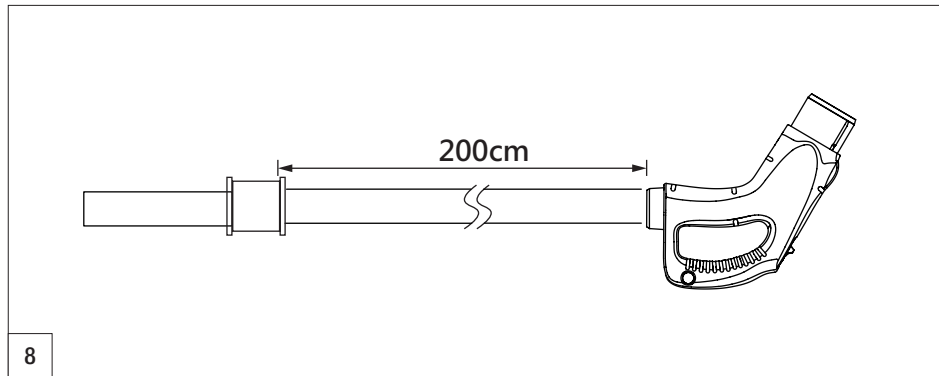
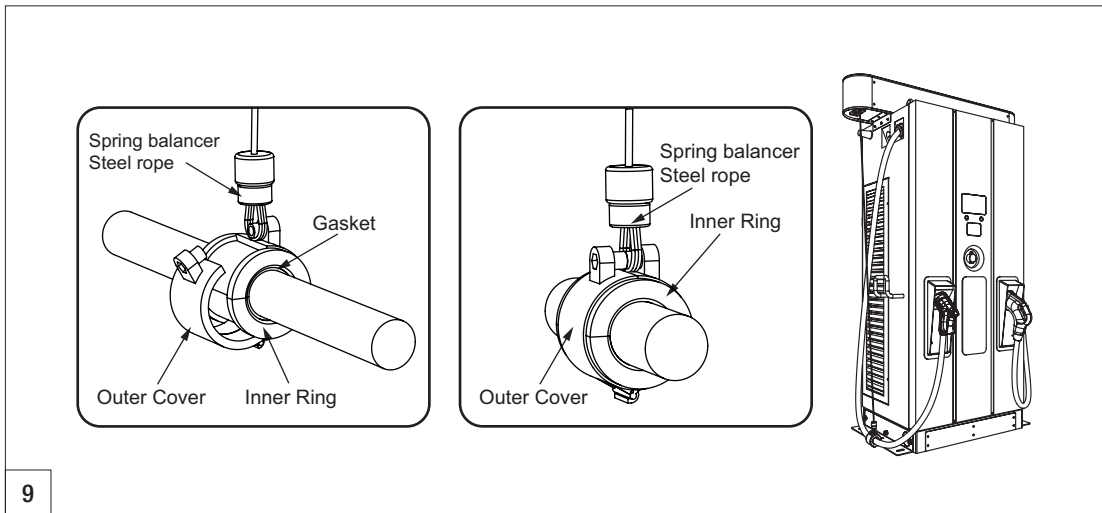
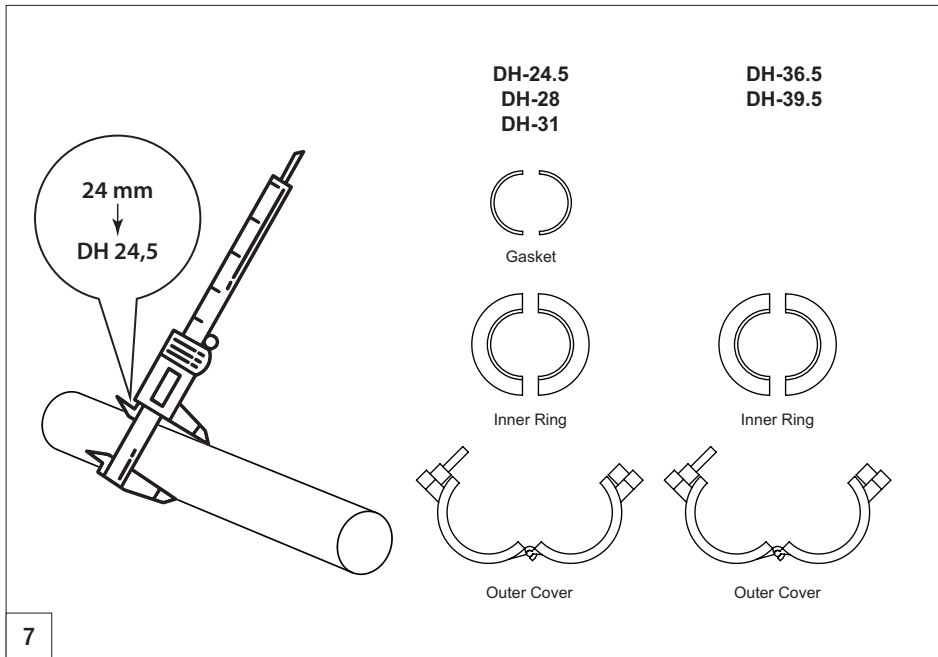
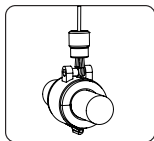


Item	Description	QTY.
1	Cable Management	1
2	User Manual	1
3	SCREW M5LX12	6
4	Cable Clamp DH-24.5	2
5	Cable Clamp DH-28	2
6	Cable Clamp DH-31	2
7	Cable Clamp DH-36.5	2
8	Cable Clamp DH-39	2



Quick installation guide
Cable management System
I-FAST 90÷180 KW
(Floor Version)





Punto di contatto indicato in adempimento ai fini delle direttive e regolamenti UE applicabili:
 Contact details according to the relevant European Directives and Regulations:
 GEWISS S.p.A. Via A.Volta, 1 IT-24069 Cenate Sotto (BG) Italy tel: +39 035 946 111 E-mail: qualitymarks@gewiss.com

According to applicable UK regulations, the company responsible for placing the goods in UK market is
 GEWISS UK LTD - Unity House, Compass Point Business Park, 9 Stocks Bridge Way, ST IVES
 Cambridgeshire, PE27 5JL, United Kingdom tel: +44 1954 712757 E-mail: gewiss-uk@gewiss.com

+39 035 946 11
 8:30 - 12:30 / 14:00 - 18:00
 lunedì - venerdì / monday - friday

www.gewiss.com

