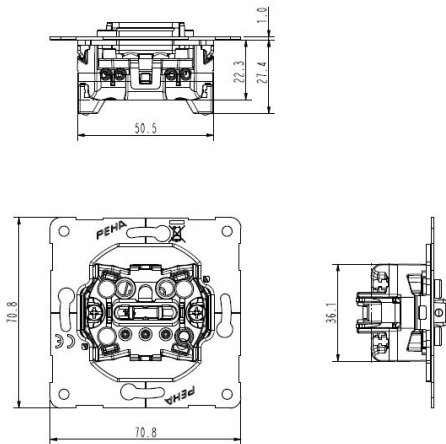


Rocker switch

Product Data Sheet



Number of rockers	1
Switching current for fluorescent lamps	6Fluorescent lamp rated current
Nominal voltage	250Volt
Method of operation	Rocker/button
Mounting method	Flush mounted (plaster)
Material	Other
Surface protection	Untreated
Colour	Other
Suitable for degree of protection (IP)	IP20

Rocker switch

Rocker switch for all flush-mounted programmes 10 A 250 V~ 1-way switch

Material No.	Article No.	EAN-code
00192141	B 511	4010105192148

PEHA Elektro GmbH & Co.KG

a Honeywell Company
Daimlerstraße 4
58553 HALVER
DEUTSCHLAND

Tel.: 02353 9118 001
Fax: 02353 9118 311
mail: peha@honeywell.com
www.peha.de

Änderungen vorbehalten. © Honeywell PEHA