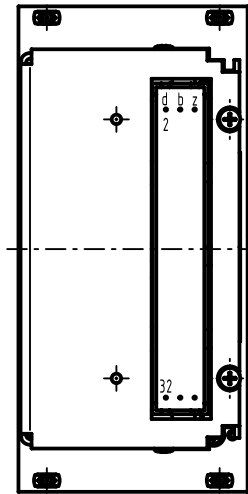
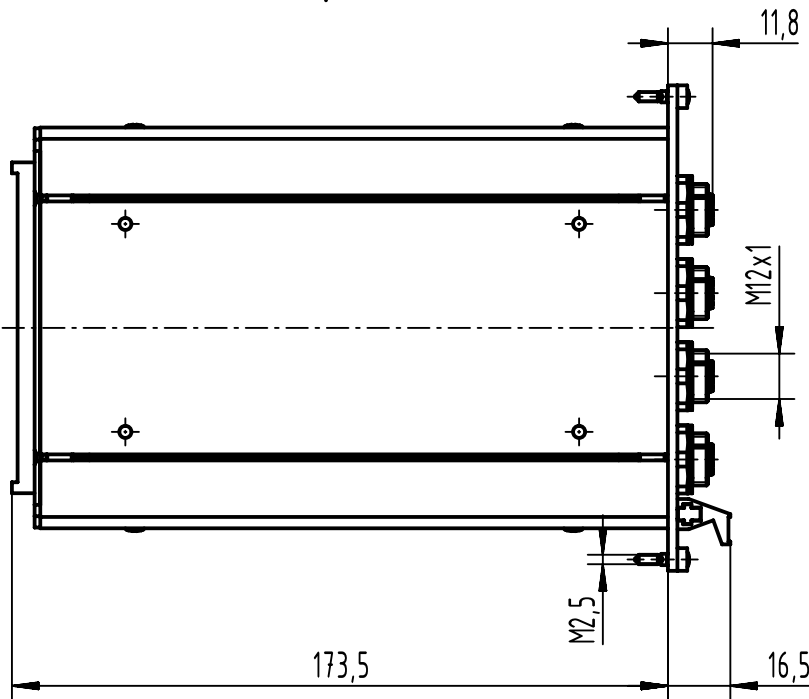
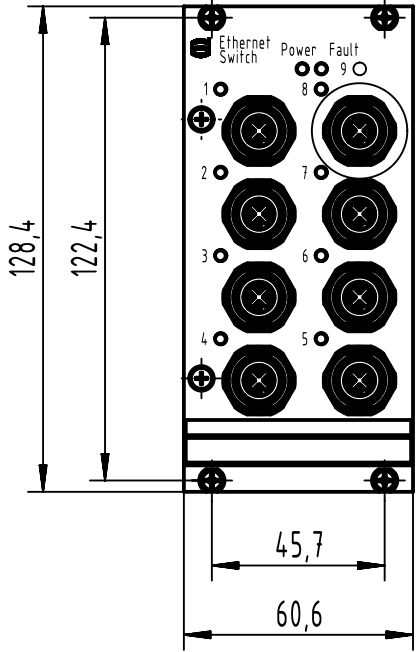
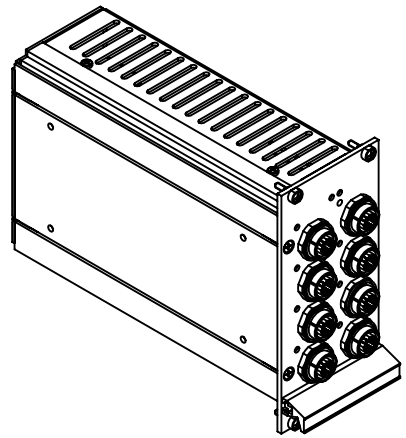
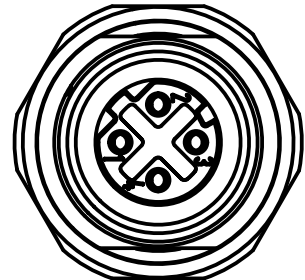


1 2 3 4 5 6

A
B
C
D



A (2:1)



	All rights reserved Department EL PD	Created by HOLLERT	Inspected by KLEINEM	Standardisation SAP_WFRT	Date 2022-03-02	State Final Release	
		Title Ha-VIS eCon 9080-B1				Doc-Key / ECM-Nr. 100183363/UGD/004/B 500000211661	
HARTING D-32339 Espelkamp		Type TB	Number 20 76 208 7003			Rev. B	Page 1/1

Ref.
Sub. TB 20762087003 v. 11.05.10