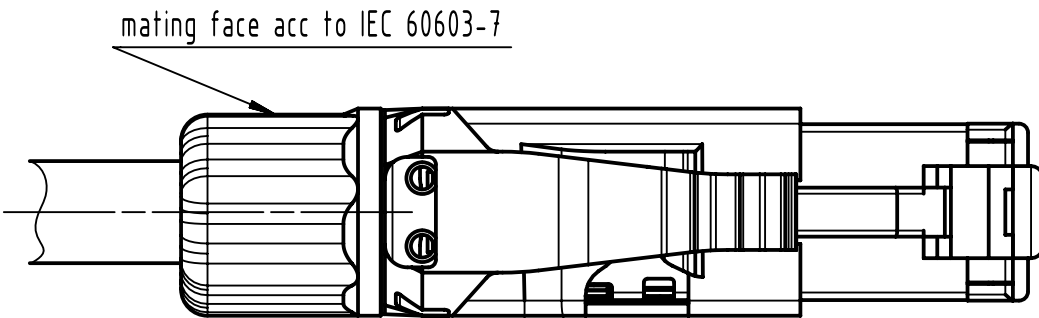
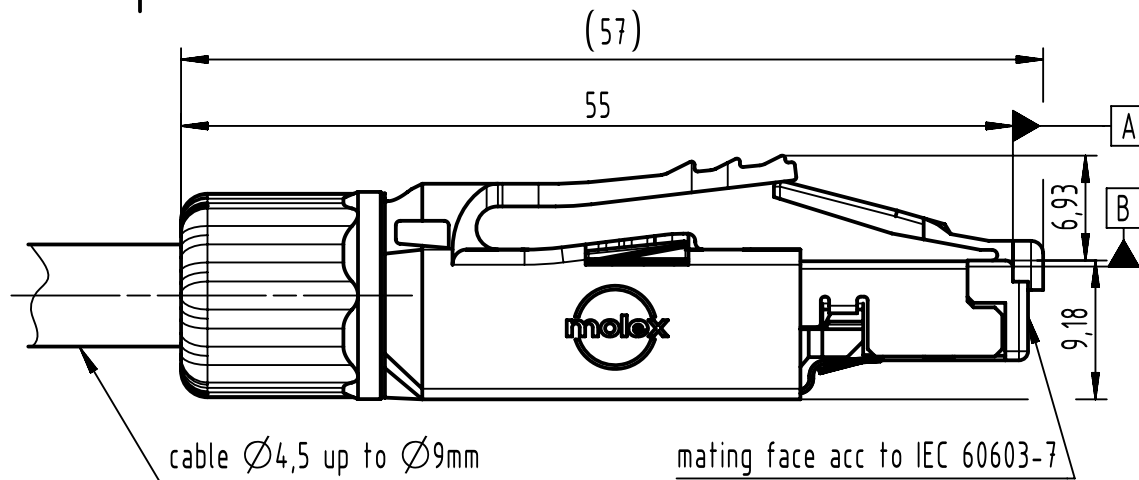
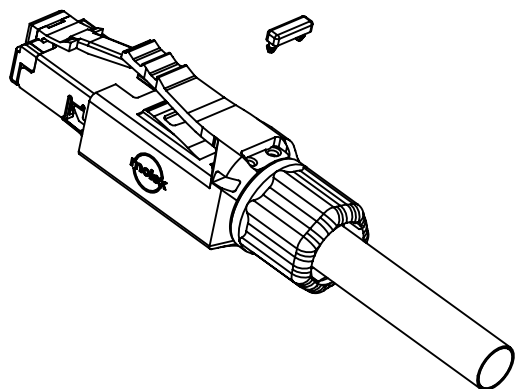


position — 1 8



on request: Colour-Clip with RFID SLOT  
TB 0945850XX



data contact plating: Au 1,27µm (50pin) over nickel

	All rights reserved Department EL PD	All Dimensions in mm Original Size DIN A4		Scale 2:1	Free size tol.	Ref.
		Created by PREOTU	Inspected by PREOTU	Standardisation ROEBEN	Date 2022-11-11	State Final Release
HARTING D-32339 Espelkamp		Title MOLEX RJ Industrial 10G Plug			Doc-Key / ECM-Nr. 100214314/UGD/021/B 500000228900	
		Type TB	Number 09451511560_009		Rev. B	Page 1/1