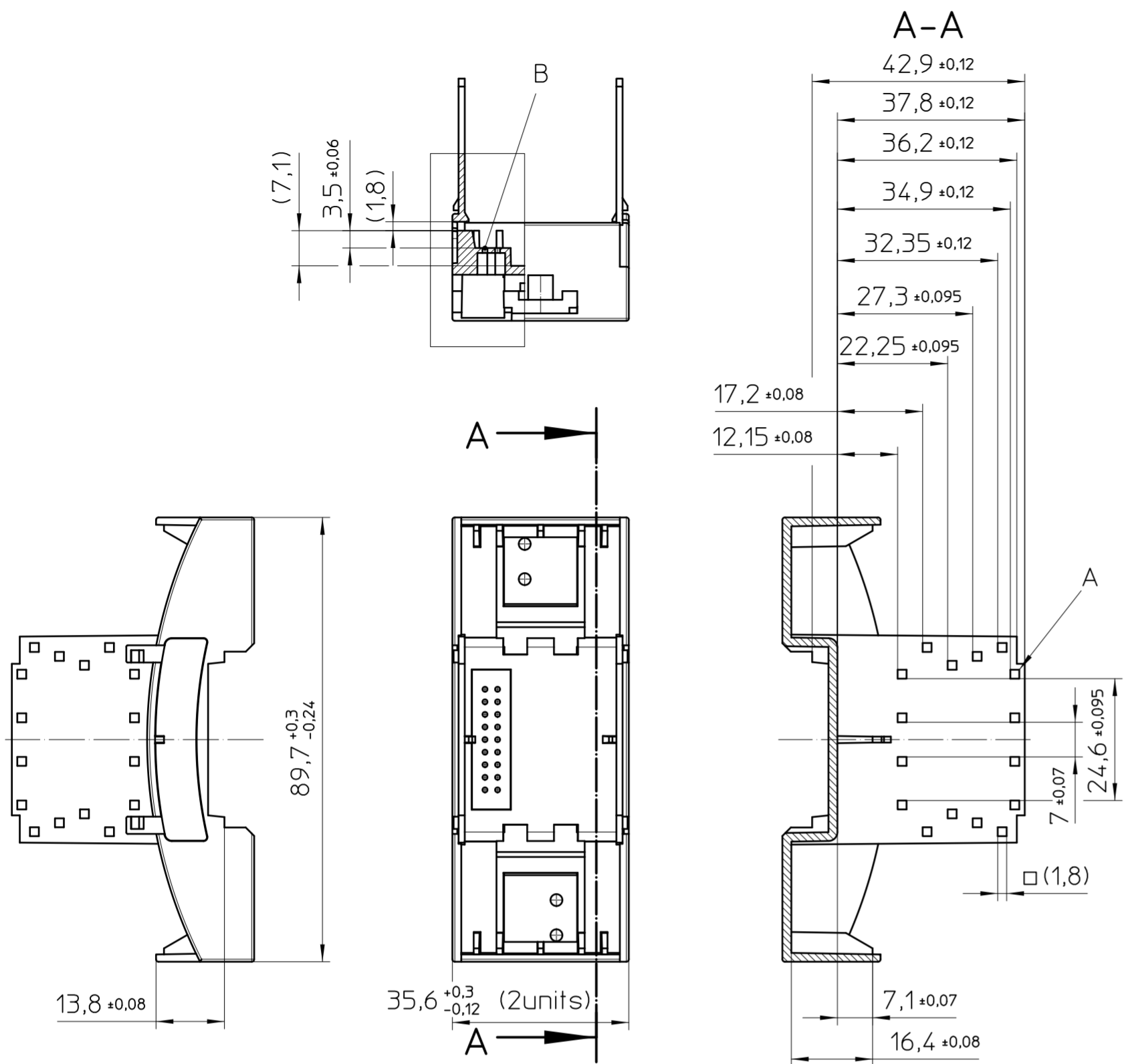
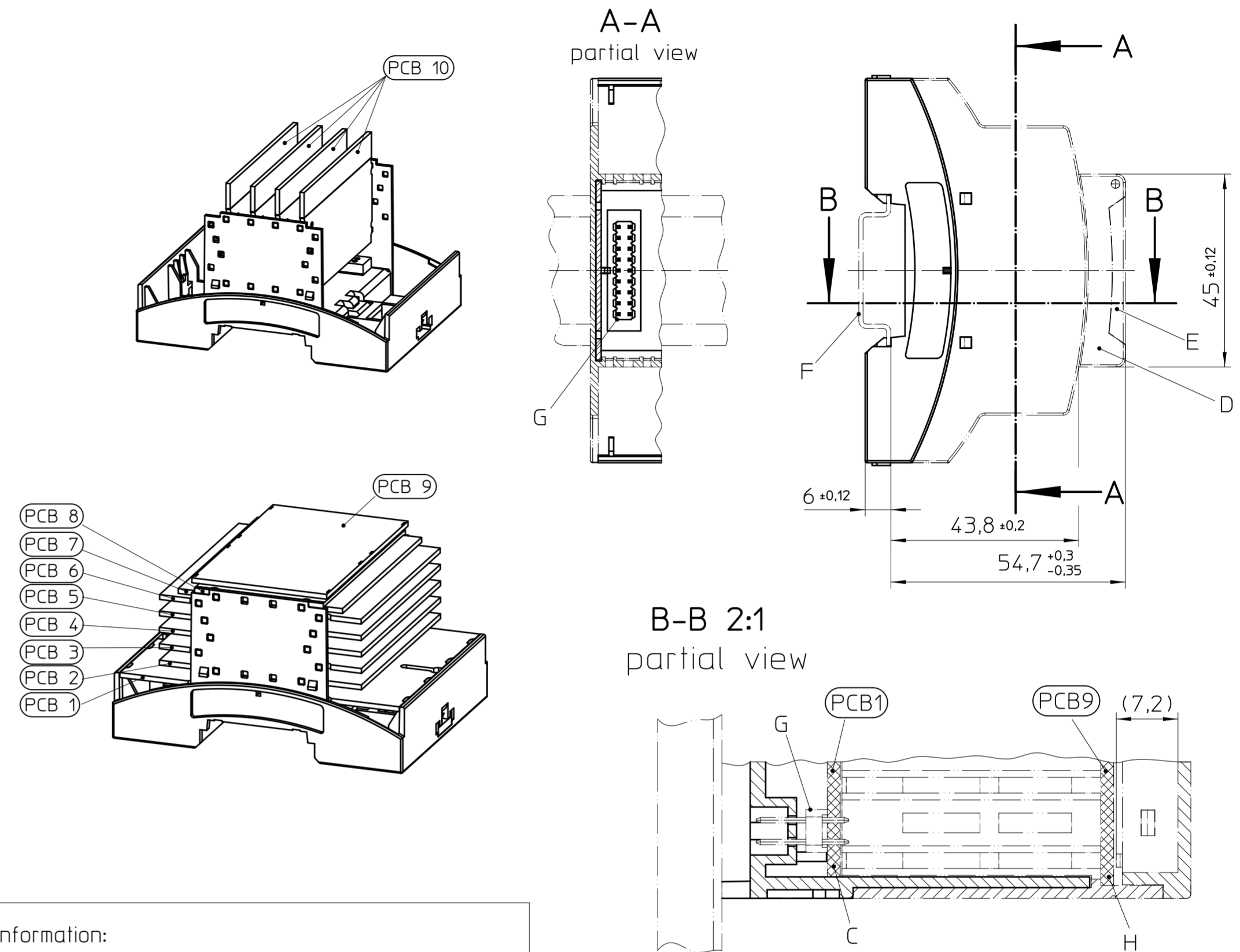


HOUSING LOWER PART

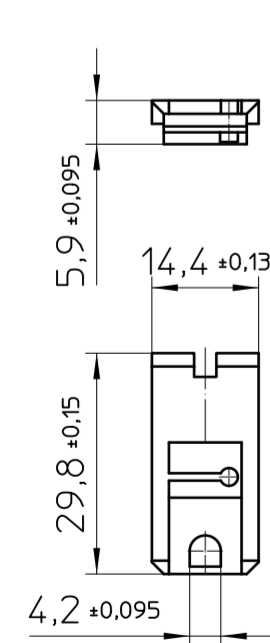


Assembly example

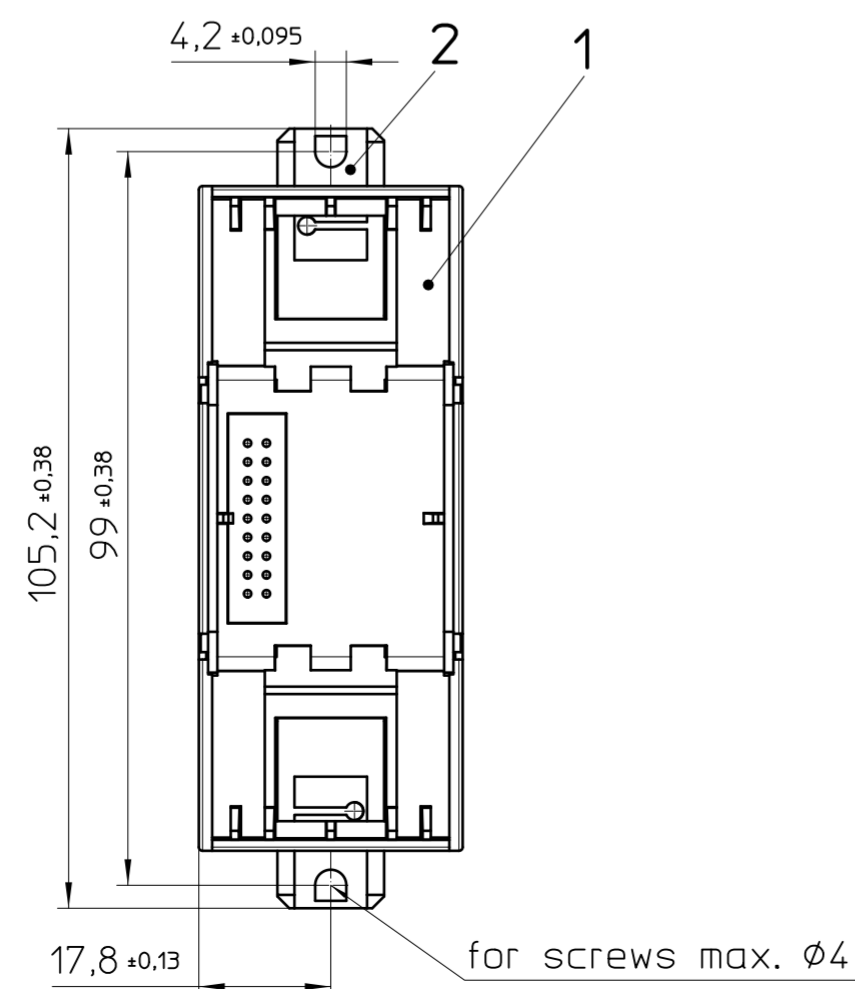
Overall dimensions complaint DIN 43880



FOOT CATCH



WALL MOUNTING



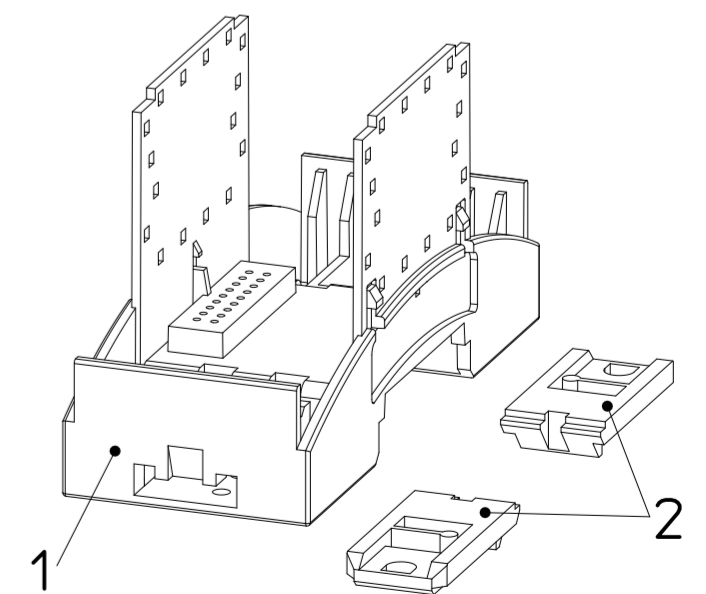
General Information:

- Tolerances apply in a normal climate according to DIN EN ISO 291-23/50-2
- Web: www.phoenixcontact.com

Additional Information:

- A. PCB fixing
- B. HBUS connector
- C. PCB 1 (main PCB)
- D. Housing upper part
- E. Cover
- F. Mounting rail like EN 60715: TH 35-7,5 or mounting rail TH 35-15x1,5 similar to EN 60715
- G. Plug for HBUS, (PSTD 0,65x0,65/9-2,54)
- H. Position PCB 9 or position plate

HOUSING LOWER PART with FOOT CATCH not mounted



| KIT (not mounted) | | | |
|-------------------|-----|--------------------|----------|
| Pos. | QTY | Description | Material |
| 1 | 1 | HOUSING LOWER PART | PC |
| 2 | 2 | FOOT CATCH | POM |

| | | | |
|-------------|-------------------------------------|---|--------------|
| | document-No. / RI 00905813 / 03 | date 22.07.2025 | scale 1:1 |
| | ident.-No. 1227343 | document-type TECDOC 2D_Productdrawing | |
| page 1 of 1 | description BC 35,6 UT HBUS KMGY | | |

Transfer or duplication of this document as well as the utilisation or communication of its content are not permitted unless express consent is granted. Violations give rise to claims for damages. All rights reserved in case of patent, utility model or design patent registrations.

Weitergabe sowie Vervielfältigung dieses Dokuments, Verwertung und Mitteilung seines Inhalts sind verboten, soweit nicht ausdrücklich gestattet. Zuwiderhandlungen verpflichten zu Schadensersatz. Alle Rechte für den Fall der Patent-, Gebrauchsmuster- oder Designeintragung vorbehalten.