

Matric-F3

Recessed mounted light line, mounting brackets incl - Direct light distribution

Article code: LF3AEE-840E-L615



Illustrations may only be similar and serve as an orientation.

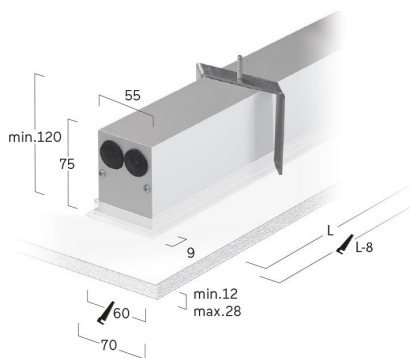
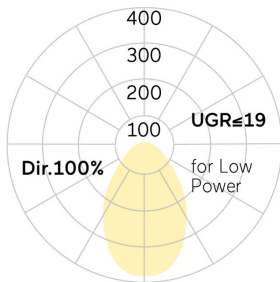
Matric-F3. LED. Recessed mounted light line with surrounding frame for installation in sawn wall and ceiling with cut-out openings. Mounting brackets included. Luminaire body made of high-quality aluminum profile. Surface finish Silver Anodised. Direct only light distribution. Colour temperature: 4000K (Cool White). Colour Rendering Index (CRI): >80. Microprismatic screen for uniform illumination and reduced luminance in office areas. UGR<=

19. Switchable. LxWxH (rectangular). L=615mm. W=70mm. H=75mm. Low-power current. 820lm. 9W. 1,7kg. Binning initial <= MacAdam 3. IP20. Protection class I. CE, UKCA marking. Prüfzeichen: ENEC. IK02. 220-240V. 50-60 Hz. RG0 (EN62471). Luminous flux reduction up to 0,2%/1.000 operating hours. Nominal failure rate: 0,2%/1.000 operating hours. L90B10 (tq 25°C) = 50.000h. 5 years warranty. Manufacturer: Lightnet GmbH, ISO 9001:2015 certificated

Matric-F3

Recessed mounted light line, mounting brackets incl - Direct light distribution

Article code: LF3AEE-840E-L615



Customer / Project: _____

Note: _____

| | |
|------------------------------|-----------------------------------------------------|
| Productname | Matric-F3 |
| Lamp | LED |
| Installation Type | Recessed mounted light line, mounting brackets incl |
| Surface finish | Silver Anodised |
| Light characteristics | Direct light distribution |
| Colour temperature | 4000K |
| Colour Rendering Index (CRI) | CRI>80 |
| Optical system | Microprismatic screen |
| Control | Switchable |
| Length L/Diameter D (mm) | L=615mm |
| Width W (mm) | W=70mm |
| Height H (mm) | H=75mm |
| Current/Power | Low-Power |
| Luminous Flux | 820lm |
| Power consumption | 9W |
| Degree of protection | IP20 |
| Certification | Prüfzeichen: ENEC |
| LED lifetime | L90B10 (tq 25°C) = 50.000h |
| UGR | UGR<=19 |
| Photometric code | 8 40 / 3 3 9 |
| Photobiological class | RG0 (EN62471) |
| Indoor/Outdoor | Indoor: ta [ambient] max. 25°C |
| Weight (kg) | 1,7kg |

