

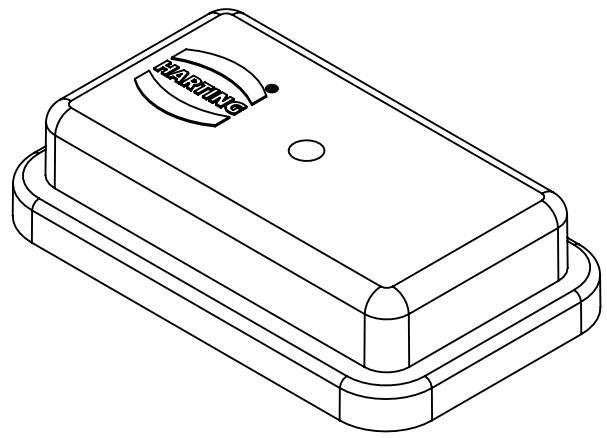
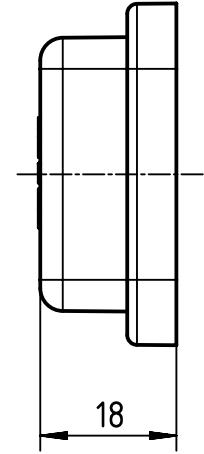
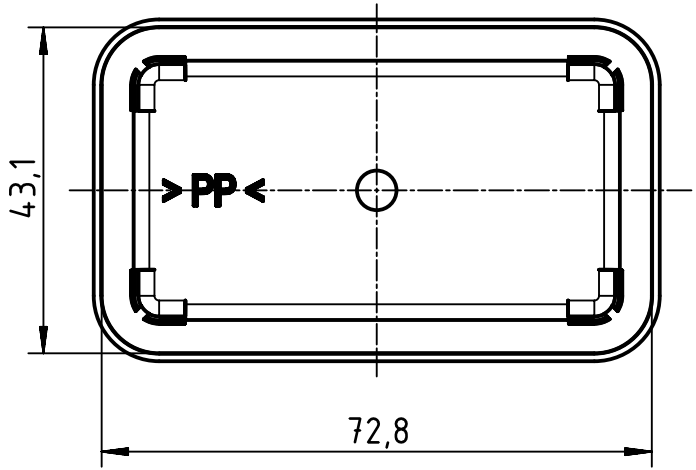
1 2 3 4 5 6

A

B

C

D



	All Dimensions in mm Original Size DIN A4		Scale 1:1	Free size tol.		Ref.		
						Sub. 09 30 010 5406 v. 30.08.07		
	All rights reserved		Created by FINKEV	Inspected by SUNDERMEIER	Standardisation RUETERA	Date 2020-07-20	State Final Release	
	Department EL PD		Title Han 10B dust protection cap				Doc-Key / ECM-Nr. 100087862/UGD/005/B 500000176649	
HARTING Electric GmbH & Co. KG D-32339 Espelkamp			Type TB	Number 09 30 010 5406			Rev. B	Page 1/1