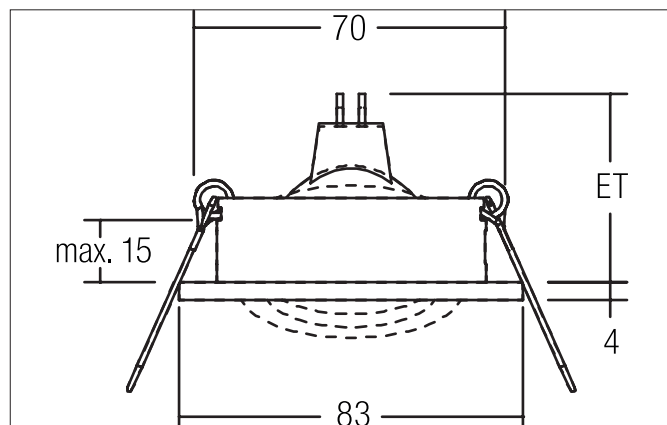


Recessed spot, GX5,3

Artikel-Nr. 2110.07

Licht.
Für Generationen.**Tender**

Recessed spot, GX5,3, white, round. In a compact design, for installation in tool-less rapid assembly systems Lamp holder: Without fitting, Mounting method: Recessed mounting, Place of installation: Ceiling-mounted, Material: Cast aluminium, Degree of protection: according to DIN EN 60529 IP20, Protection class: (EN 61140) III, Voltage: 12V, Power: 50W, Amount of light sources / fittings: 1.0 Qty, Adjustability: Pivoted, With control gear: No, Control: Dimming depending on driver.

Article data	
Artikel-Nr.	2110.07
GTIN	4250047761723
Kurzbeschreibung	Recessed spot, GX5,3
Material	Cast aluminium
Colour	White
Type of surface	Glossy
Shape	round
Outer diameter	83 mm
Built-in diameter	70 mm
Installation depth	125 mm
weight	0.065 kg

Recessed spot, GX5,3





Artikel-Nr. 2110.07

Licht.
Für Generationen.

Operating technology of the luminaires	
System output	50 W
Voltage type	AC
AC nominal voltage max	12 V
Frequenz max.	50 Hz
Lamp	for LED-retrofill lamp
Lamp holder	Without fitting
Protection class	III
Degree of protection	IP20
Control	Dimming depending on driver
Leuchtmittelwechsel möglich	ja

Mounting technology	
Mounting method	Recessed mounting
Place of installation	Ceiling-mounted
Adjustability	Pivoted
Swivel angle	25°
Further references	No cover with thermal insulation material
Circlip	Without circlip

Packing data	
Gross weight	0.092 kg
Length of packaging	100 mm
Packaging width	50 mm
Packaging height	85 mm

Accessories	
	Artikel-Nr.: 5387 Kurzbeschreibung: Separate bracket for bulbs Abmessung:
	Artikel-Nr.: 5397 Kurzbeschreibung: Separate bracket for bulbs Abmessung:
	Artikel-Nr.: 5398 Kurzbeschreibung: Separate bracket for bulbs Abmessung:
	Artikel-Nr.: 5388 Kurzbeschreibung: Separate bracket for bulbs Abmessung: