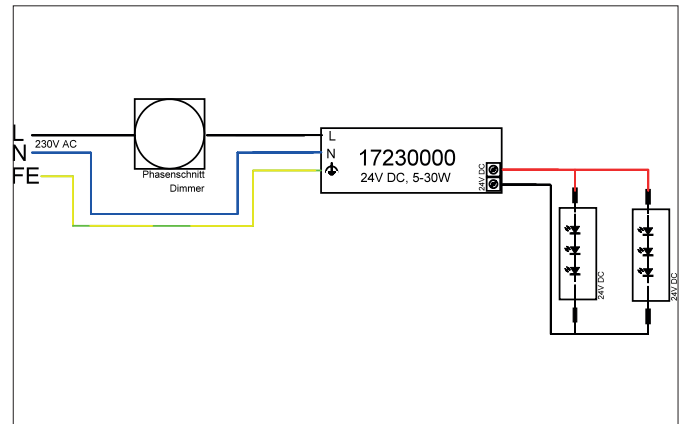


LED power supply 24 V DC, dimmable  
Article no. 17230000

Light.  
For Generations.



#### Tender

LED power supply 24 V DC, dimmable. Ceiling cut-out Installation depth mm, Length 145 mm, Width 50 mm, Weight 0,190 kg,, with max: 30 W, Delivery without bulb. Housing material: Plastic, Permissible ambient temperature (ta): -20 °C - +25 °C, Protection class (EN 61140): II, Degree of protection (DIN EN 60529): IP20. For direct connection to mains voltage, Trailing-edge phase dimmable.

Article data	
Article no.	17230000
GTIN	4251433938163
Short description	LED power supply 24 V DC, dimmable
Material	Plastic
Length	145 mm
Width	50 mm
Height	22 mm
Weight	0.190 kg

LED power supply 24 V DC, dimmable  
Article no. 17230000

Light.  
For Generations.

Operating technology of driver	
AC nominal voltage max	230 V
Frequenz max.	50 Hz
Protection class	II
Degree of protection	IP20
Starting current	20 A (200 µs)
Power min	5 W
Power	30 W
Control	Trailing-edge phase, Leading edge phase
Environment temperature (ta)	-10 °C bis +45 °C
Measure point (tc)	max. +85 °C

Packing data	
Gross weight	0.21 kg
Length of packaging	150 mm
Packaging width	55 mm
Packaging height	30 mm
Disposal at end of life	This product must not be disposed of with household waste. You are obliged, to dispose of such electrical waste separately. By disposing of electrical waste and other old or defective electronics separately, you support recycling or other forms of re-use. In that way you help to take care and to avoid that harmful substances get into the environment.