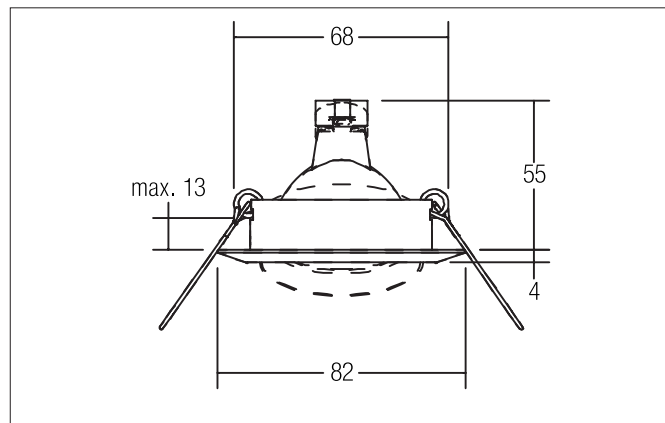


Recessed spot, GX5,3

Artikel-Nr. 2295.15

Licht.
Für Generationen.**Tender**

Recessed spot, GX5,3, nickel, round. In a compact design, for installation in tool-less rapid assembly systems Lamp holder: GX5.3, Mounting method: Recessed mounting, Place of installation: Ceiling-mounted, Material: Steel, Degree of protection: according to DIN EN 60529 IP20, Protection class: (EN 61140) III, Voltage: 12V, Power: 50W, Amount of light sources / fittings: 1.0 Qty, Adjustability: Pivoted, With control gear: No, Control: Dimming depending on driver.

Article data	
Artikel-Nr.	2295.15
GTIN	4250047740346
Kurzbeschreibung	Recessed spot, GX5,3
Material	Steel
Colour	Nickel
Type of surface	Matt
Shape	round
Outer diameter	82 mm
Built-in diameter	68 mm
Installation depth	55 mm
weight	0.075 kg

Recessed spot, GX5,3

Artikel-Nr. 2295.15

Licht.
Für Generationen.

Operating technology of the luminaires	
System output	50 W
Voltage type	AC/DC
AC nominal voltage max	12 V
Frequenz max.	50 Hz
Lamp	for LED-retrofill lamp
Lamp holder	GX5.3
Protection class	III
Degree of protection	IP20
Control	Dimming depending on driver
Leuchtmittelwechsel möglich	ja

Mounting technology	
Mounting method	Recessed mounting
Place of installation	Ceiling-mounted
Adjustability	Pivoted
Swivel angle	25°
Further references	No cover with thermal insulation material

Packing data	
Gross weight	0.096 kg
Length of packaging	85 mm
Packaging width	43 mm
Packaging height	84 mm

Recessed spot, GX5,3

Artikel-Nr. 2295.15

Licht.
Für Generationen.

Compatible LED-modules						
Artikel-Nr.	Power	Beam angle	Colour temperature	Luminous flux	Input	Height LED-Modul
12925003	3 W	38°	2700 K	290 lm	350 mA	40 mm
12926003	3 W	38°	3000 K	310 lm	350 mA	40 mm
12925004	3 W	38°	4000 K	340 lm	350 mA	40 mm
12923003	6 W	38°	2700 K	680 lm	350 mA	40 mm
12924003	6 W	38°	3000 K	680 lm	350 mA	40 mm
12924004	6 W	38°	3500 K	680 lm	350 mA	40 mm
12923004	6 W	38°	4000 K	720 lm	350 mA	40 mm
12923383	6 W	38°	2700 K	600 lm	350 mA	32 mm
12923603	6 W	60°	2700 K	570 lm	350 mA	32 mm
12924383	6 W	38°	3000 K	680 lm	350 mA	32 mm
12924603	6 W	60°	3000 K	660 lm	350 mA	32 mm
12924384	6 W	38°	3500 K	680 lm	350 mA	32 mm
12924604	6 W	60°	3500 K	660 lm	350 mA	32 mm
12923384	6 W	38°	4000 K	720 lm	350 mA	32 mm
12923604	6 W	60°	4000 K	700 lm	350 mA	32 mm
12920183	6 W	18°	3000 K	640 lm	350 mA	31 mm
12920243	6 W	24°	3000 K	690 lm	350 mA	31 mm
12920003	6 W	38°	3000 K	670 lm	350 mA	31 mm
12920603	6 W	60°	3000 K	620 lm	350 mA	31 mm
12920184	6 W	18°	4000 K	685 lm	350 mA	31 mm
12920244	6 W	24°	4000 K	740 lm	350 mA	31 mm
12920004	6 W	38°	4000 K	720 lm	350 mA	31 mm
12920604	6 W	60°	4000 K	660 lm	350 mA	31 mm
12963003	6 W	38°	3000 K - 1800 K	460 lm	350 mA	40 mm
12963383	6 W	38°	3000 K - 1800 K	460 lm	350 mA	32 mm
12963603	6 W	60°	3000 K - 1800 K	430 lm	350 mA	32 mm
12953003	12 W	38°	2700 K	1,120 lm	350 mA	70 mm
12954003	12 W	38°	3000 K	1,210 lm	350 mA	70 mm
12954004	12 W	38°	3500 K	1,240 lm	350 mA	70 mm
12953004	12 W	38°	4000 K	1,250 lm	350 mA	70 mm
12965003	12 W	38°	3000 K - 1800 K	930 lm	350 mA	70 mm
12983003	12.5 W	38°	3000 K	920 lm	350 mA	95 mm
18101001	13.8 W	45°	RGB		12.00 V	52 mm
12823003	8 W	60°	2850 K	900 lm	24.00 V	50 mm
12843004	8 W	60°	2000 K - 6500 K	700 lm	24.00 V	50 mm
18438002	8 W	60°	RGB+WW	400 lm	24.00 V	50 mm