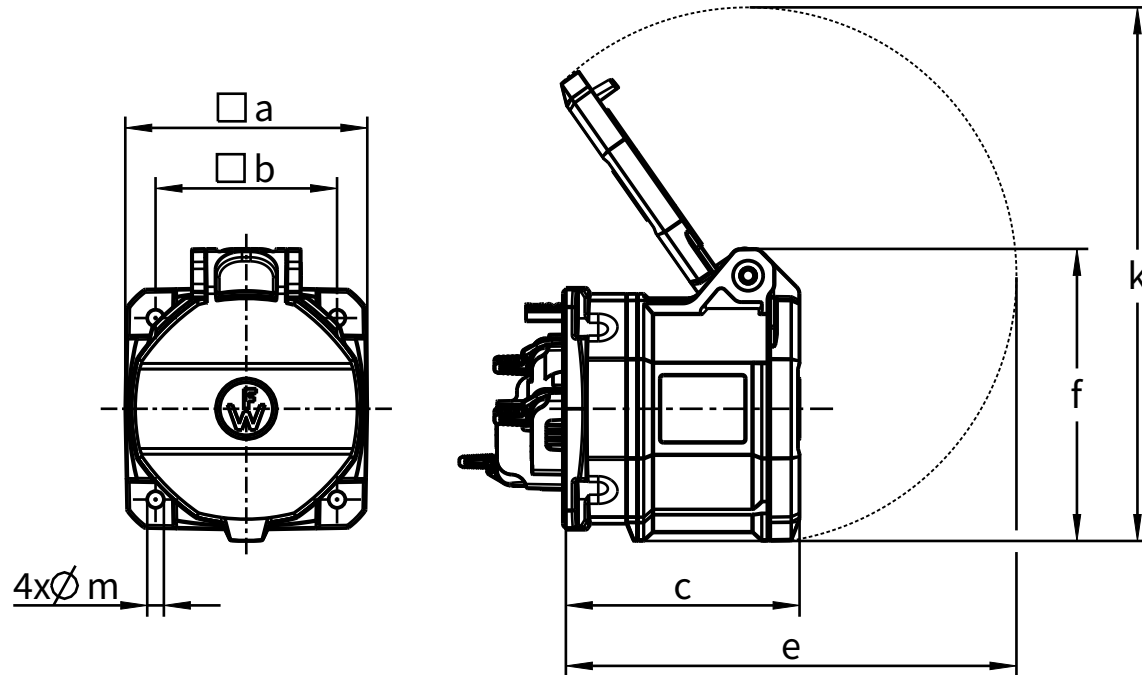
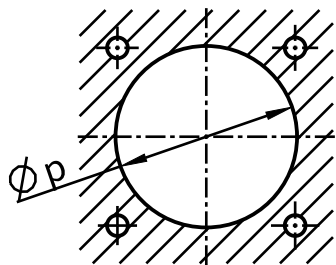


MAßZEICHNUNG

Dimensional drawing



Montageausschnitt
Mounting cutout



Amp.	16A			32A		
Pole	3	4	5	3	4	5
a	75	75	75	80	80	80
b	60	60	60	60	60	60
c	68	68	68	77	77	77
e	117	123	131	144	144	149
f	72	83	88	94	94	97
k	138	146	159	169	169	177
m	5,5	5,5	5,5	5,5	5,5	5,5
p	60	60	60	73	73	73

SK Schraubklemme/ screw terminal
 SN Schraubklemme vernickelt/ screw terminal nickel plated
 CC Cage clamp/ cage clamp
 CN Cage clamp vernickelt/ cage clamp nickel plated
 PH Phasenwender/ phase inverter
 PN Phasenwender vernickelt/ phase inverter nickel plated