

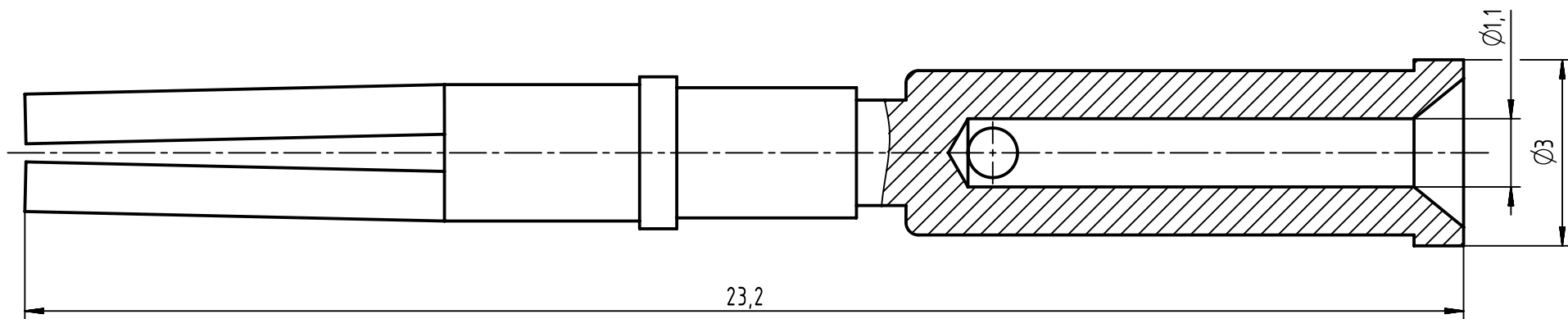
1 2 3 4 5 6

A

B

C

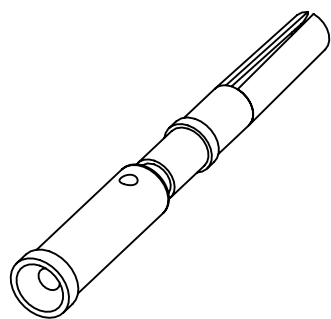
D




this crimp contact should be processed with:

locator 09990000638
 hand crimping tool 09990000509

surface			
pl	Ni (µm)	NiP (µm)	Au (µm)
1	min. 1,5	min. 1,5	min. 0,15



	All Dimensions in mm Original Size DIN A4		Scale 10:1	Free size tol.		Ref.	
	All rights reserved Department EL PD		Created by BALSAN	Inspected by 402602	Standardisation SCHREIER	Date 2020-08-05	State Final Release
HARTING Electronics GmbH D-32339 Espelkamp		Title M12 Power Female crimp contact for Plug 0.5 sqmm				Doc-Key / ECM-Nr. 100608157/UGD/001/D 500000175654	
		Type TB	Number 21011009931			Rev. D	Page 1/1