

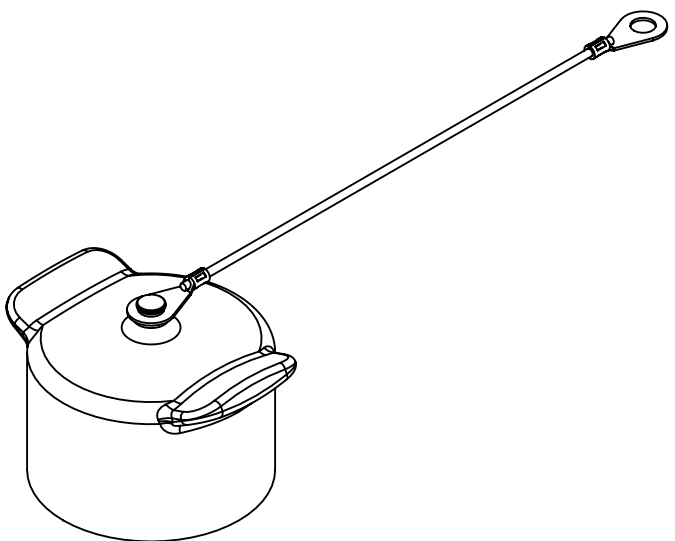
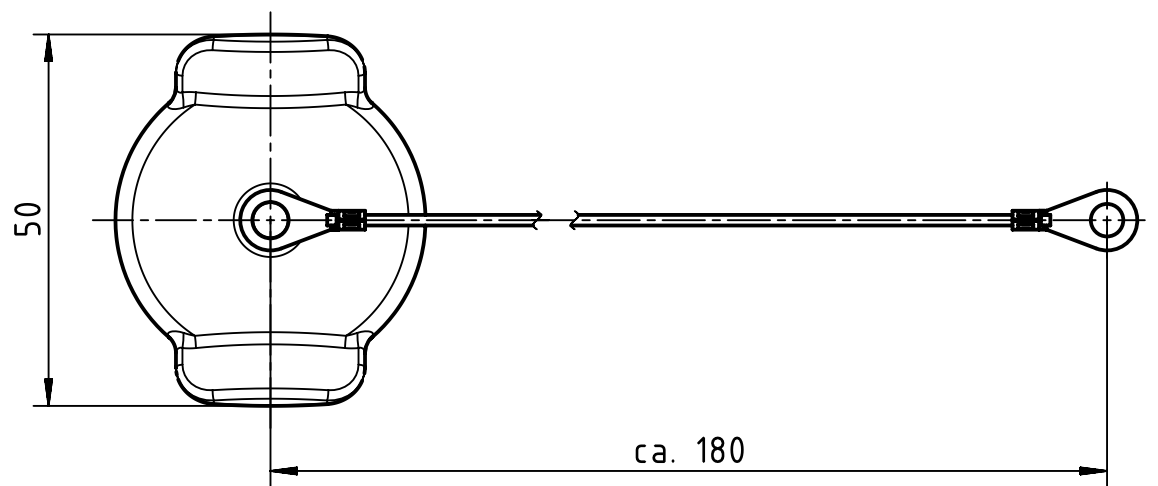
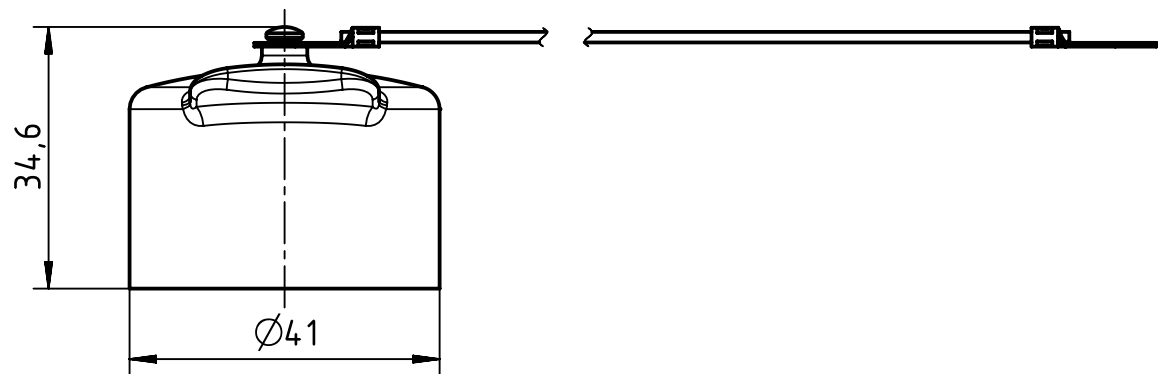
1 2 3 4 5 6


A

B

C

D



	All Dimensions in mm Original Size DIN A4		Scale 1:1		Free size tol.		Ref.			
	All rights reserved Department EL PD - DE		Created by HOLLERT		Inspected by RIEPE		Standardisation SCHMIDTM			
HARTING Electric GmbH & Co. KG D-32339 Espelkamp		Title Han F+B cover-agg blue					Date 2016-06-10		State Final Release	
		Type TB					Number 09 15 513 5401		Doc-Key / ECM-Nr. 100673962/UGD/001/A 500000105098	
							Rev. A		Page 1/1	