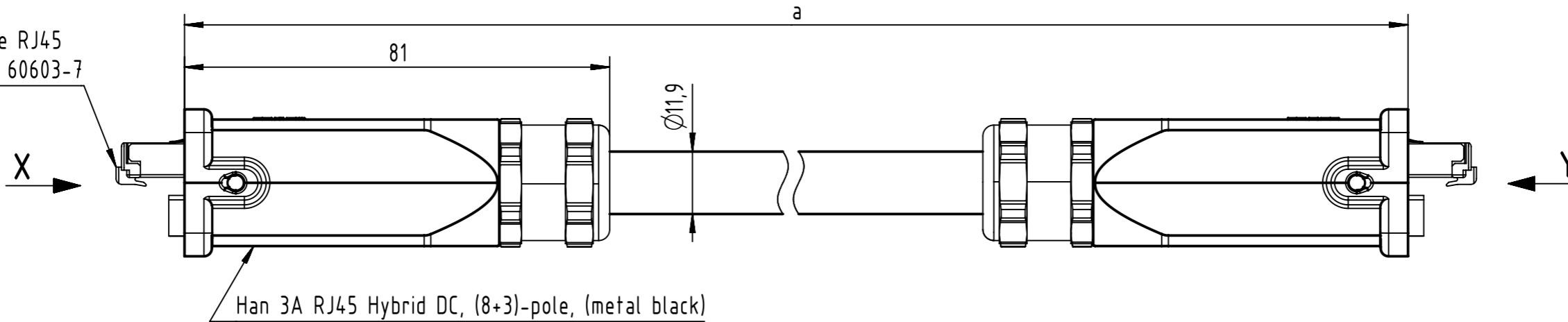


Connector Location A

Connector Location B

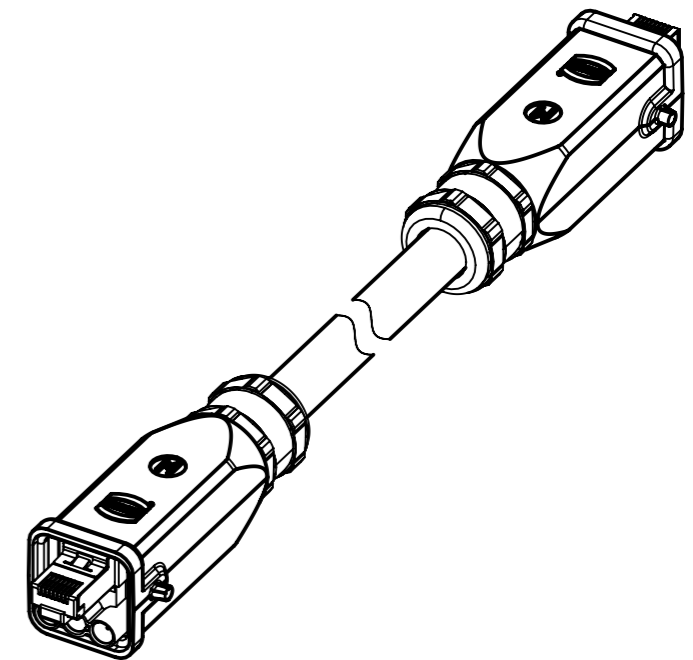
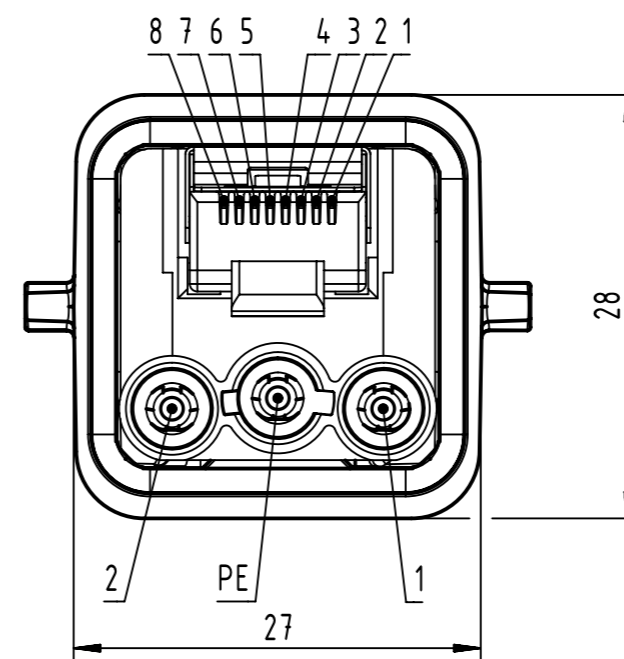
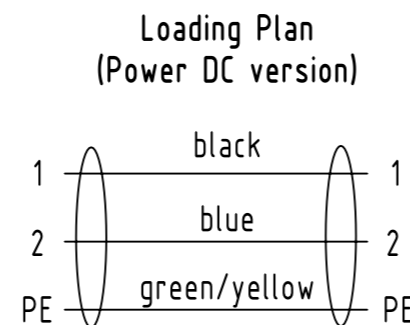
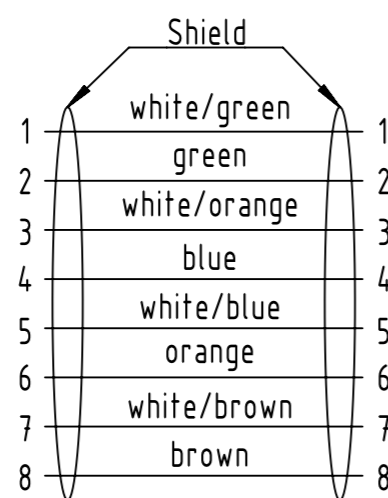
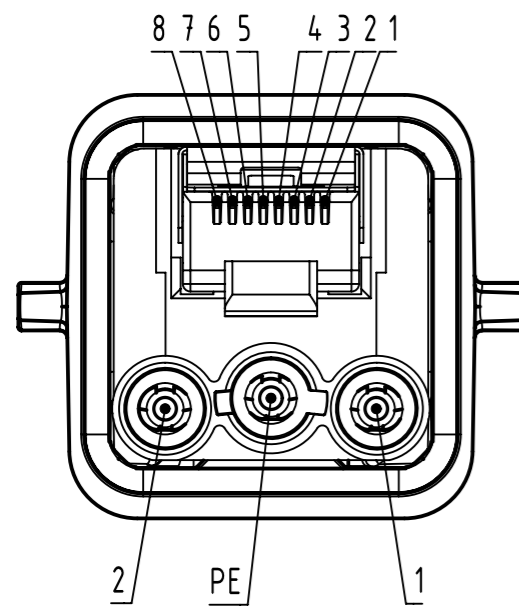
Mating face RJ45
acc. to IEC 60603-7



X
male

Loading plan
acc. to TIA/EIA 568A
(Data)

Y
male



7	3357211020002	Hybrid cable Cat5e 4x2xAWG 26/7 + 3x2.5qmm black	20 ±0.2
6	3357211010002		10 ±0.1
5	3357211006002		6 ±0.06
4	3357211005002		5 ±0.05
3	3357211003002		3 ±0.03
2	3357211002002		2 ±0.02
1	3357211001002		1 ±0.01
Cont. no.	Part no.		Type of cable

- Protection level: IP65/67
- Temperature range: -30°C ... +70°C

	All rights reserved Department HCS - RO	All Dimensions in mm		Tech. Character.		Free size tol.		According to production drawing	
		Created by BANCIUD Banciu	Inspected by COSTEA Costea	Standardisation MUNTEANV Muntean	Date 2023-09-13	State Final Release		Doc-Key / ECM-Nr. 100154019/UGD/013/D 50000248062	
HARTING Customised Solutions D-32339 Espelkamp		Title Han 3A RJ45 Hybrid Cable Assembly			Type TB	Number 33572110XX000X		Rev. D	Page 1/1