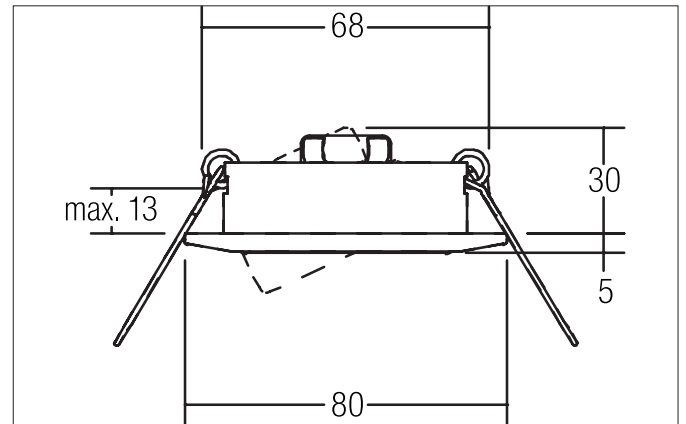


Ceiling recessed speaker, DA 68 mm
Article no. 3093.15

Licht.
Für Generationen.



IP20

Tender

Ceiling recessed speaker, DA 68 mm, nickel, Round. In a compact design, for installation in tool-less rapid assembly systems. Nominal / music load capacity: 3 / 4 W, impedance: 20 Ohm Up to 5 speakers can be connected in parallel to a channel of a Hifi amplifier. Sound pressure level: 1 W / 1 m: 82 dB (at nominal output of 87 dB), Transmission range (-3 db): 200 - 16,000 Hz, Transmission range (-10 db): 150 - 20,000 Hz, Model: Front ring (steel) and perforated plate cover in white (.07) or chrome-metal-plated (.02 / .15), Net weight: 0.14 kg. Installation with built-in springs. Connection using 2-core cable with connecting terminals. Material: Steel Mounting method: Recessed mounting, Place of installation: Ceiling-mounted, Material: Steel / Plastic, Degree of protection: according to DIN EN 60529 IP20, Adjustability: Pivoted.

Article data	
Article no.	3093.15
GTIN	4250047728146
Kurzbeschreibung	Ceiling recessed speaker, DA 68 mm
Material	Steel
Colour	Nickel
Type of surface	Matt
Shape	Round
Outer diameter	80 mm
Built-in diameter	68 mm
Installation depth	30 mm
Width	80 mm
weight	0.270 kg

Ceiling recessed speaker, DA 68 mm
Article no. 3093.15

Licht.
Für Generationen.

Packing data	
Gross weight	0.34 kg
Length of packaging	85 mm
Packaging width	43 mm
Packaging height	84 mm