

Wall mounting socket outlet - housing dimensions 460x276, with electrical interlocking PSK



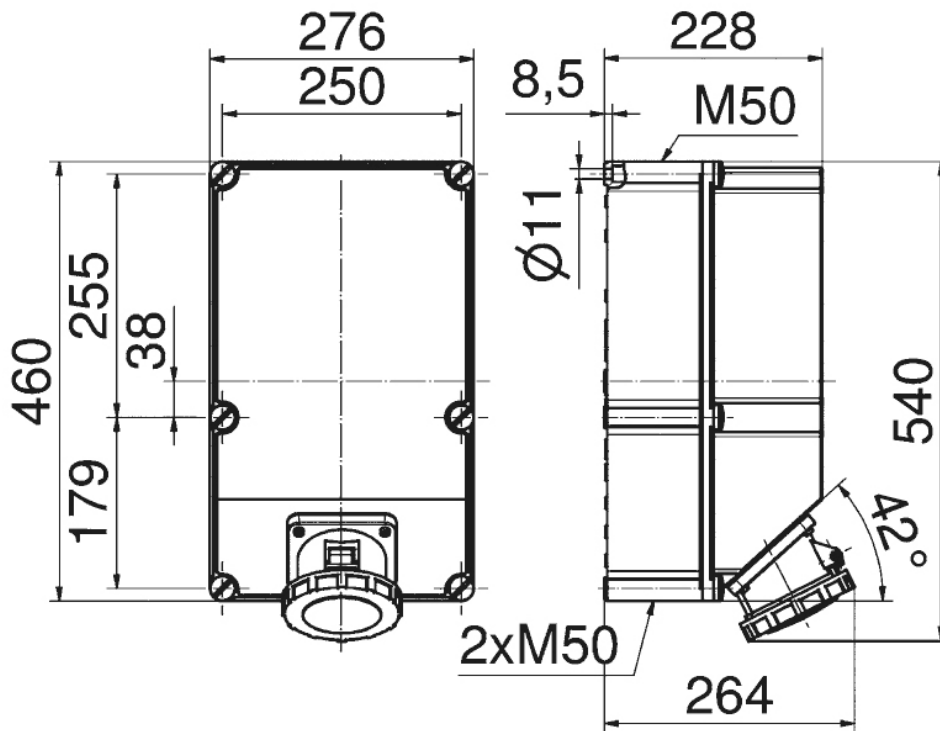
Product description	
BALS-Prd.-Nr	1675
EAN	4024941016759
Product category	TE wall mounting socket outlet, switched, interlocked
Current	125A
Number of poles	4p
Poles	3P+PE
Position of earth contact	7 h
Voltage	480 up to 500V

Product description	
Frequency	50 and 60Hz
Protection degree	IP67
Colour code	black RAL 9005
Colour of appliance	Hinged lid black RAL 9005, Bayonet ring grey RAL 7035, Housing screws grey RAL 7035, Housing bottom grey RAL 7035, Housing top grey RAL 7035
Connection design	kontex contact
Maximum conductor size	70.0 qmm
Cable entry	top entry M50 bottom entry M50 0
Height	502mm
Width	276mm
Depth	264mm
Dimension of enclosure	460x276 mm (HxW)
Material of enclosure	Polyester RAL 7035
Contact	The contact carrier is made of high temperature resistant material, the contacts are brass nickel plated

Additional technical properties	
	Electrically interlocked with pilot contact, cable entry two at top and two at bottom (open), With DIL contactor

Logistics data	
Weight/pcs	9.1 kg / Piece
Packaging	Carton

Logistics data	
Content amount	1 ST
EAN	4024941016759
Length	610 mm
Width	410 mm
Height	430 mm
Weight	10.206 kg
Volume	98,400 ccm



30 MB 104