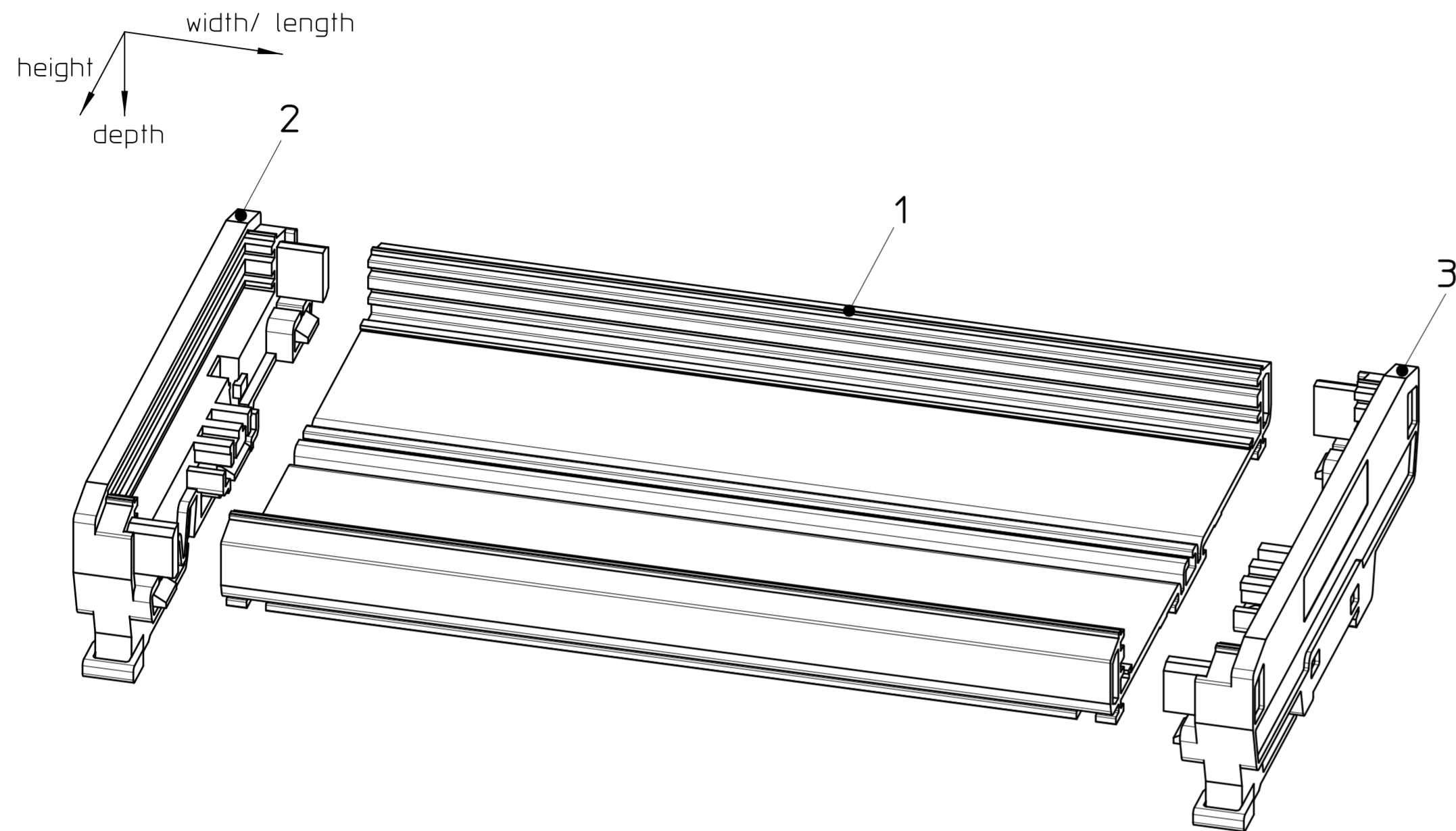
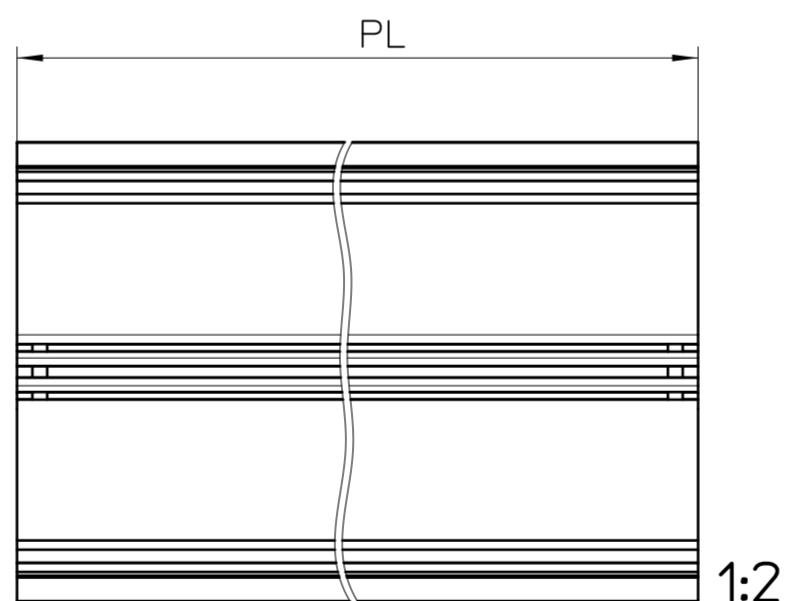


# UM-PRO-KIT-B108-L....

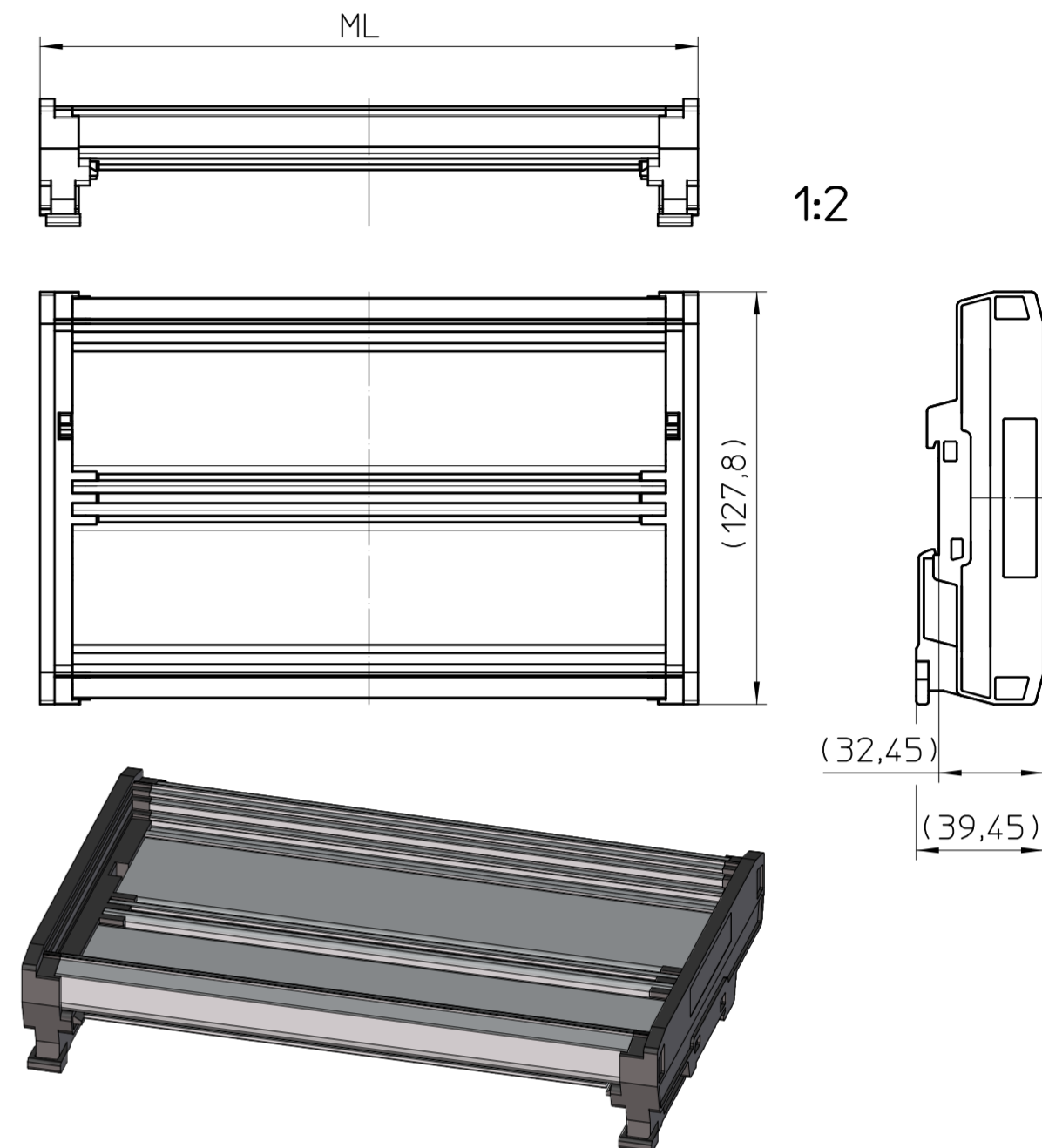
Assembly example UM-PRO-KIT-B108-L200



## Profile



## Assembly example (UM-PRO-KIT-B108-L200)



article	prolife length PL	modul length ML
UM-PRO-KIT-B...-L60	(43,8)	(63,8)
UM-PRO-KIT-B...-L80	(63,8)	(83,8)
UM-PRO-KIT-B...-L100	(83,8)	(103,8)
UM-PRO-KIT-B...-L120	(103,8)	(123,8)
UM-PRO-KIT-B...-L150	(133,8)	(153,8)
UM-PRO-KIT-B...-L180	(163,8)	(183,8)
UM-PRO-KIT-B...-L200	(183,8)	(203,8)
UM-PRO-KIT-B...-L250	(233,8)	(253,8)

### General Information:

- Simplified representation.
- Document excluded from change process
- Units are in millimeters [mm] and degrees [°]
- Tolerances apply in a normal climate according to DIN EN ISO 291-23/50-2, PA plastic parts with about 2% (% by weight) moisture content.
- Web: [www.phoenixcontact.com](http://www.phoenixcontact.com) webcode: #0314
- PCB configurator web: [www.phoenixcontact.com](http://www.phoenixcontact.com) webcode:#0512

KIT (not mounted)			
Pos.	QTY	Description	Material
1	1	UM-PRO PROFIL	PA
2	1	SIDE ELEMENT LEFT	PA
3	1	SIDE ELEMENT RIGHT	PA

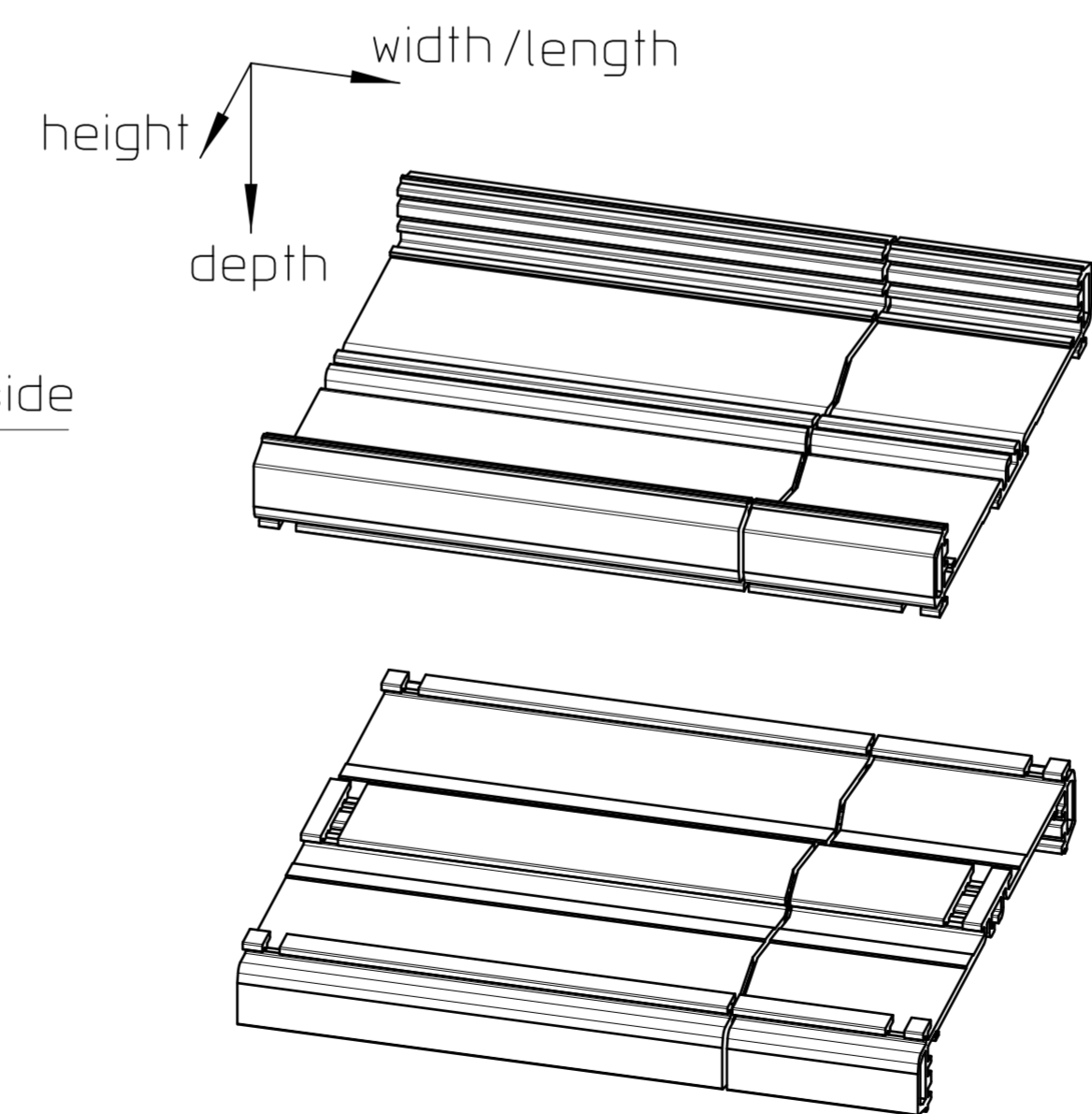
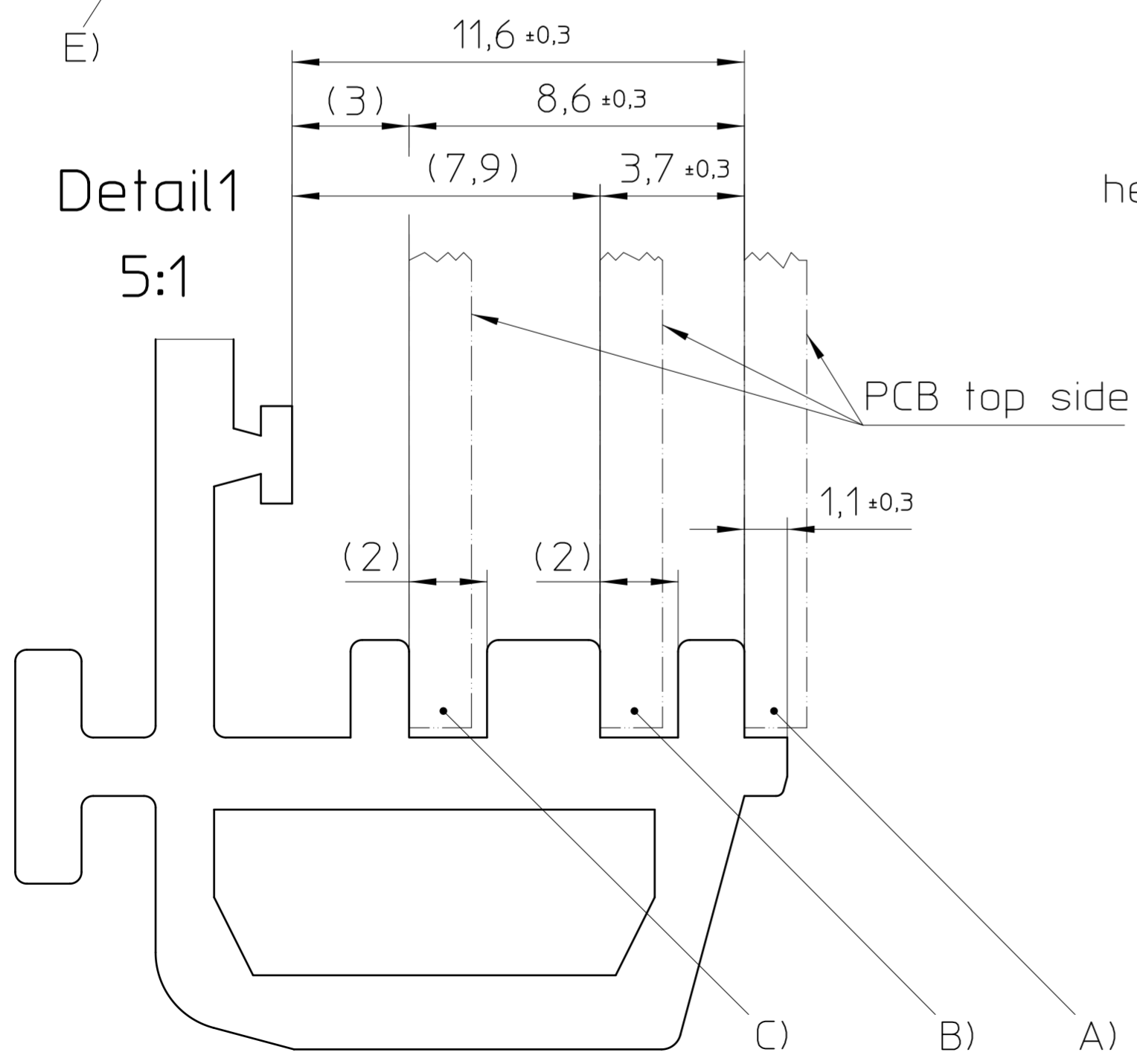
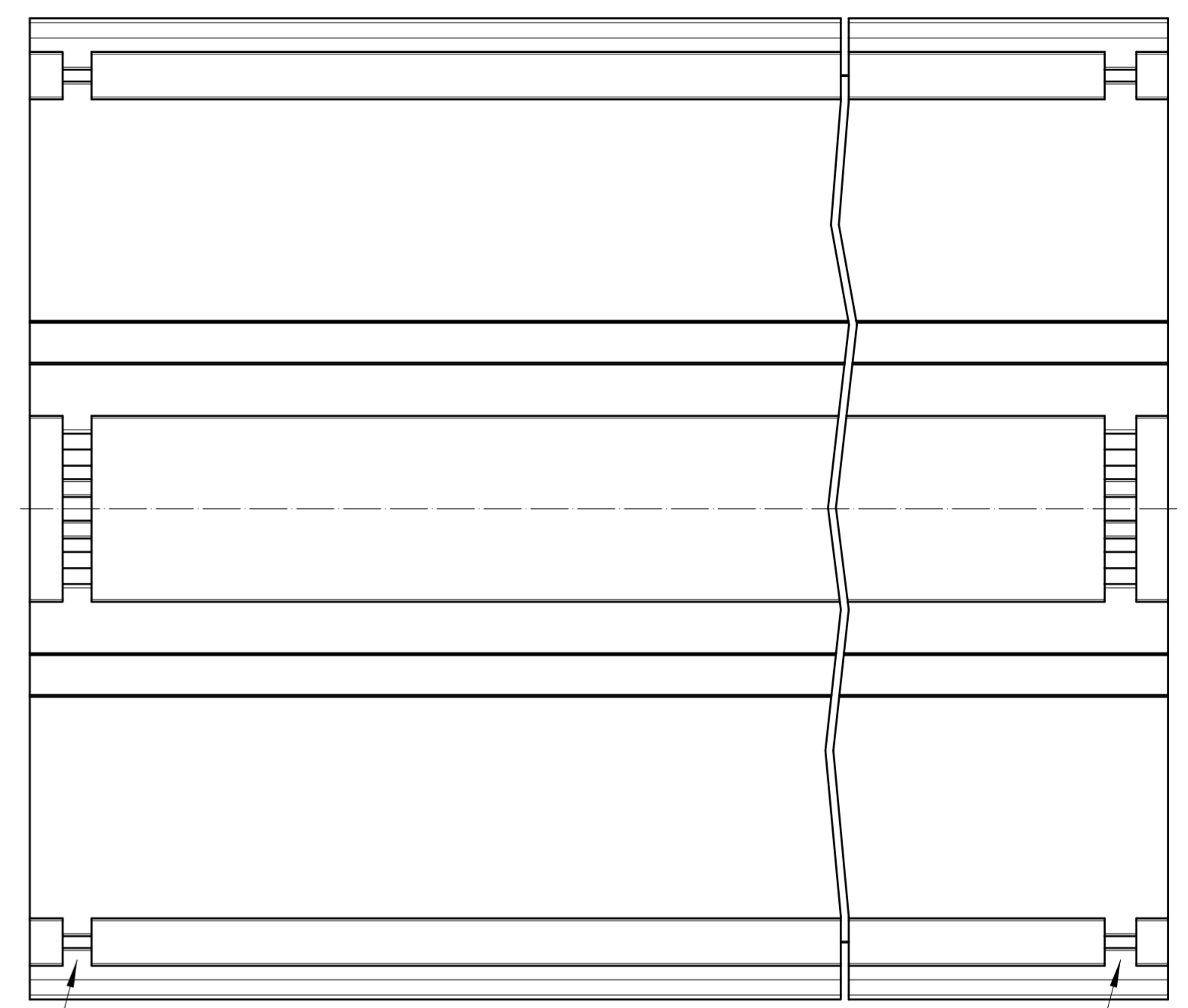
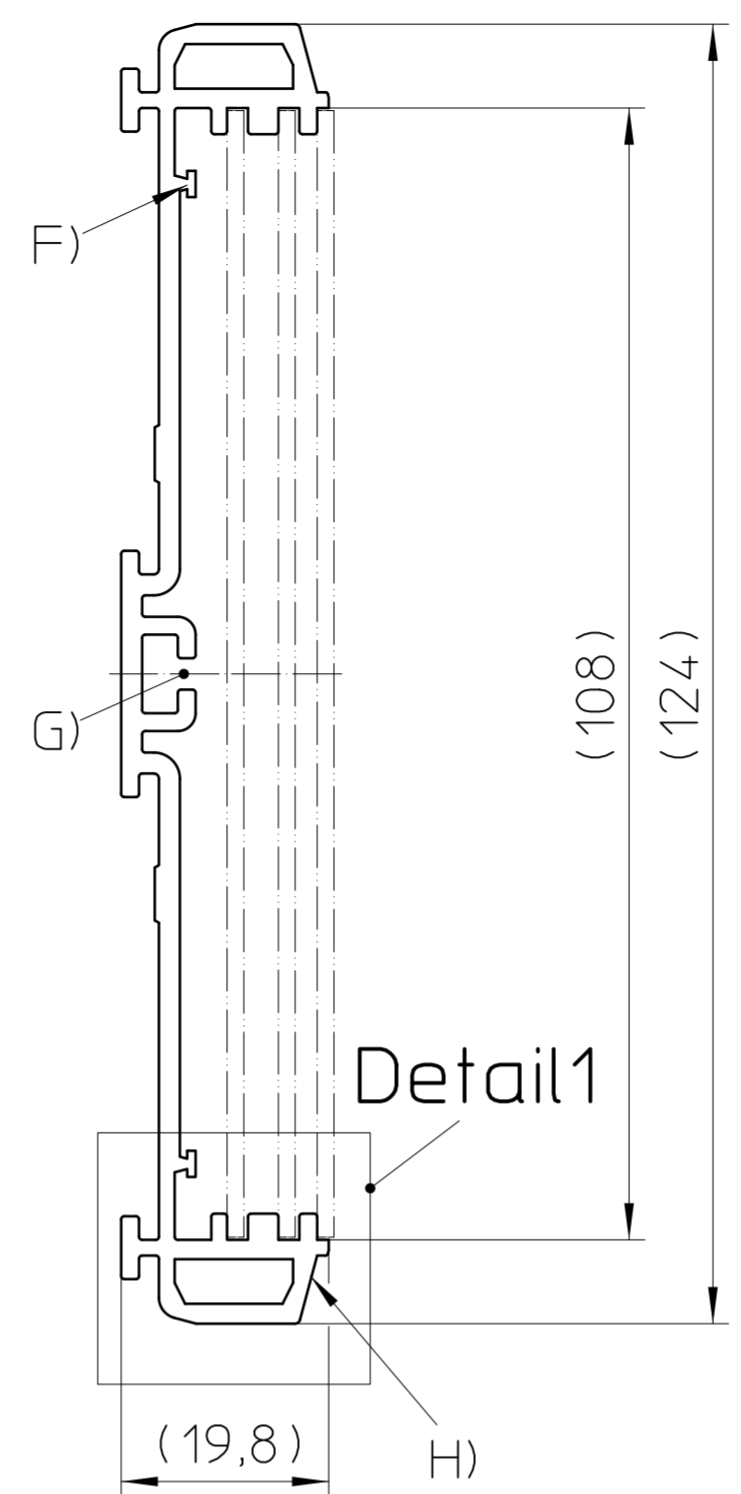
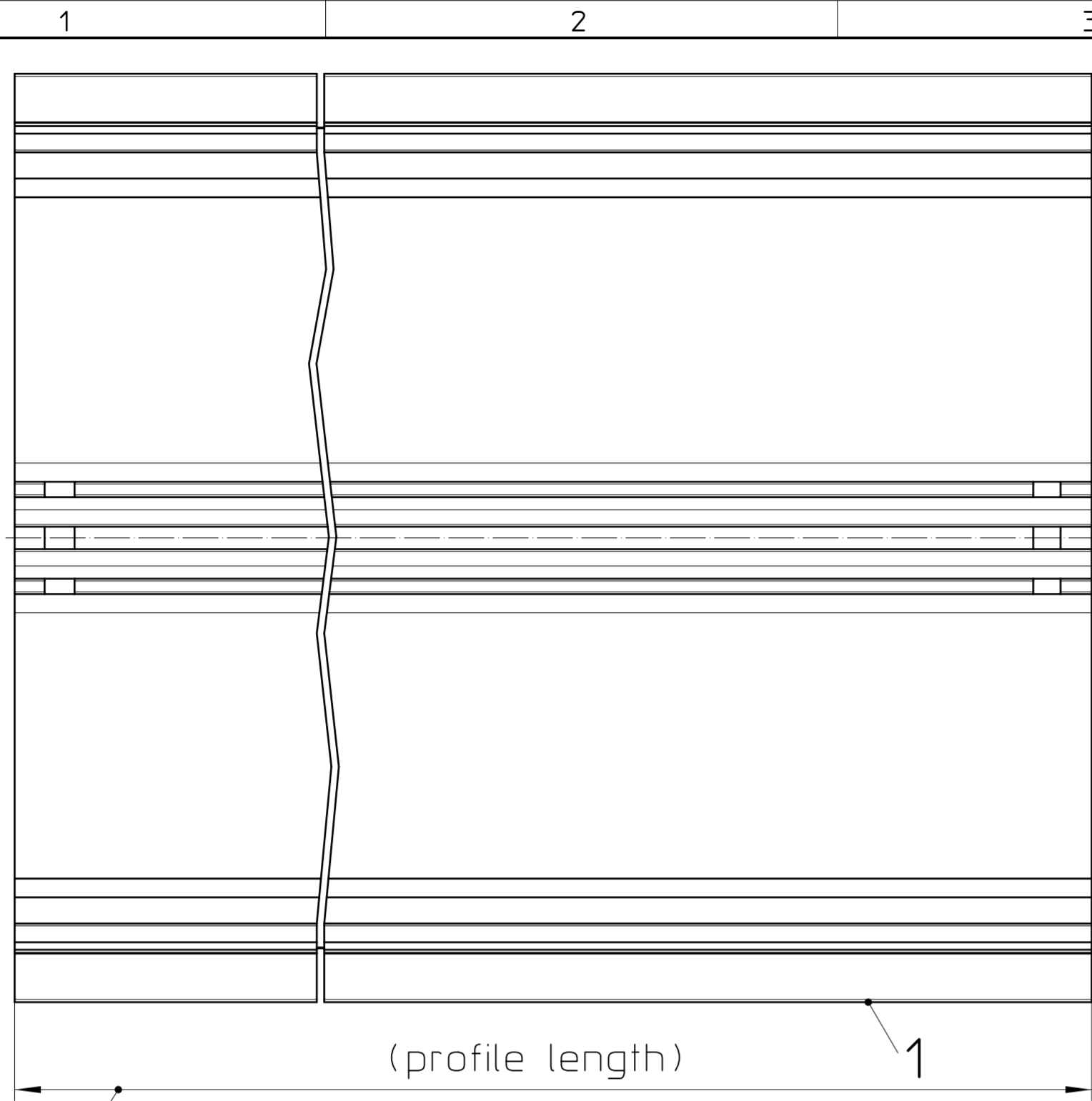
DIN A2	document-No. / RI 01370802 / 00	date 02.08.2021	scale 1:1
	ident.-No. 1456980	document-type TECDOC 2D_Productdrawing	
	description UM-PRO-SKT-B108-L120-7035		
page 1	of 6		

Transfer or duplication of this document as well as the utilisation or communication of its content are not permitted unless express consent is granted. Violations give rise to claims for damages. All rights reserved in case of patent, utility model or design patent registrations.

Weitergabe sowie Vervielfältigung dieses Dokuments, Verwertung und Mitteilung seines Inhalts sind verboten, soweit nicht ausdrücklich gestattet. Zuwiderhandlungen verpflichten zu Schadensersatz. Alle Rechte für den Fall der Patent-, Gebrauchsmuster- oder Designeintragung vorbehalten.

Transfer or duplication of this document as well as the utilisation or communication of its content are not permitted unless express consent is granted. Violations give rise to claims for damages. All rights reserved in case of patent, utility model or design patent registrations.

Weitergabe sowie Vervielfältigung dieses Dokuments, Verwertung und Mitteilung seines Inhalts sind verboten, soweit nicht ausdrücklich gestattet. Zuwiderhandlungen verpflichten zu Schadensersatz. Alle Rechte für den Fall der Patent-, Gebrauchsmuster- oder Designeintragung vorbehalten.



General Information

- Simplified representation
- Document excluded from change process
- Linear dimensions [mm]
- Tolerances, apply in a normal climate according to DIN EN ISO 291-23/50-2, PA plastic parts with about 2% (% by weight) moisture content.
- Web: [www.phoenixcontact.com](http://www.phoenixcontact.com) webcode: #0313

Additional Information:

- A) PCB L1
- B) PCB L2
- C) PCB L3
- D) Groove to fix the lateral element, UM-PRO COVER L/R
- E) Length of profile according to customer specification. Profil length min. 30mm up to max. 1000mm
- F) Fixing for optional PCB S-LOCK
- G) Fixing for optional PCB C-LOCK L ...
- H) Area for optional marking strip SK 5,0...

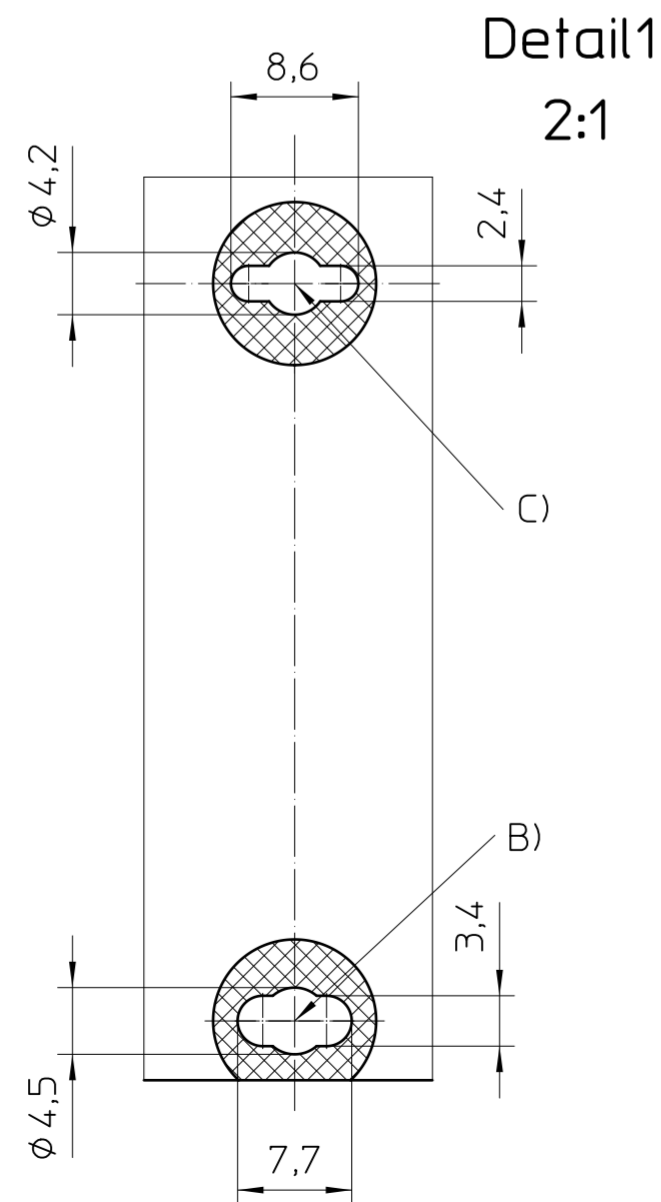
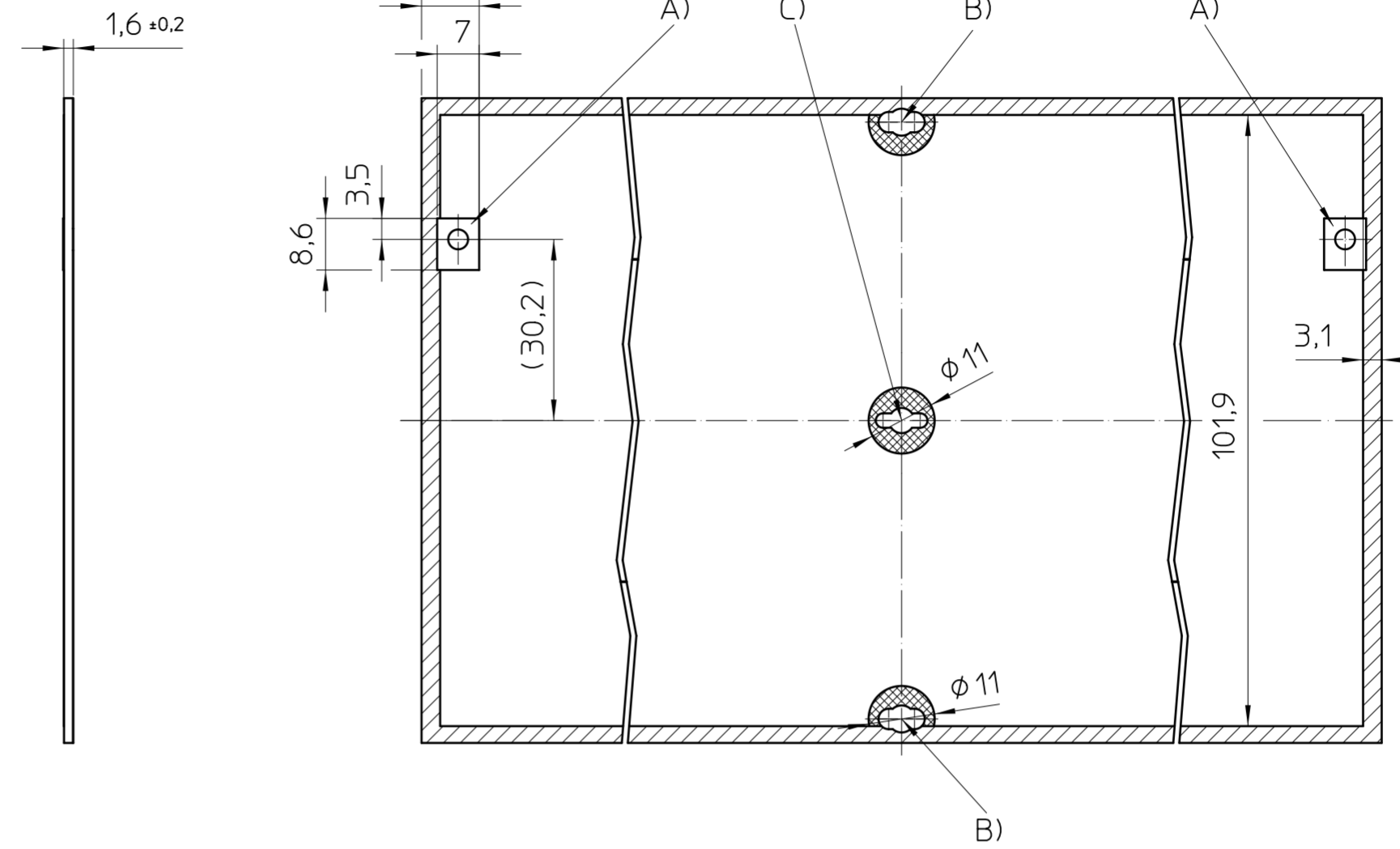
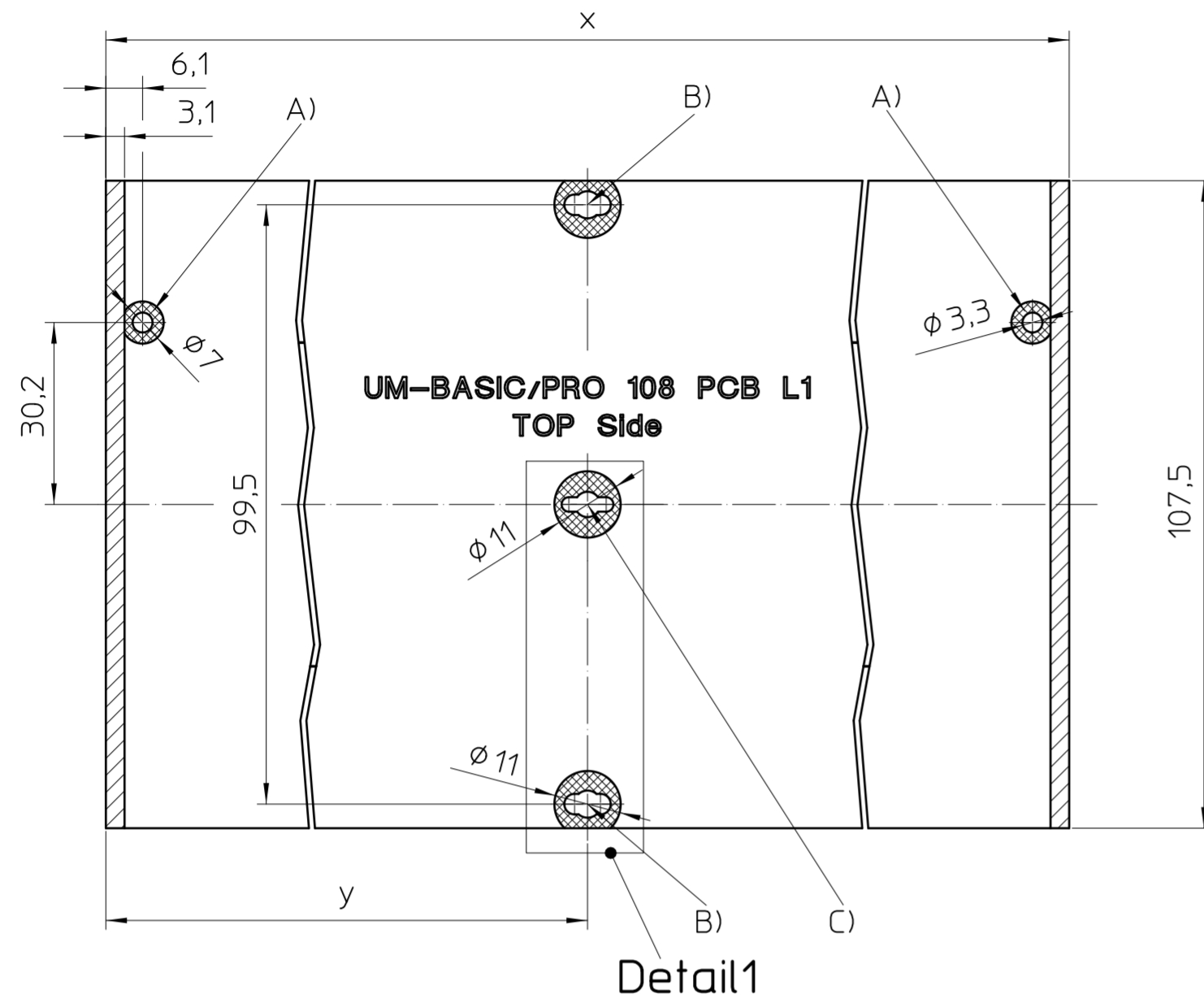
- Recommended PCB-outline see further documentation

Pos.	QTY	description	material
1	1	PROFILE	PA

	DIN A3	document-No. / Rl	date	scale
		01370802 / 00	02.08.2021	1:1
	ident.-No.	document-type		
	1456980	TECDCOC 2D_Productdrawing		
description		UM-PRO-SKT-B108-L120-7035		
page 2	of 6			

# Recommended PCB for: UM-PRO 108 and UM-BASIC 108



### General Information:

- Simplified representation
- Document excluded from change process
- Linear dimensions [mm]
- Web: [www.phoenixcontact.com](http://www.phoenixcontact.com) webcode: #0314 / #0313

### Addition Information

- General tolerances for PCB: dimensions  $\leq 30$ :  $\pm 0,1/R \pm 0,2/\pm 1^\circ$   
dimensions  $> 30$ :  $\pm 0,15/R \pm 0,2/\pm 1^\circ$   
symmetry: 0,2

-  Restricted area, no components



-  Restricted area, optional

### Additional Information:

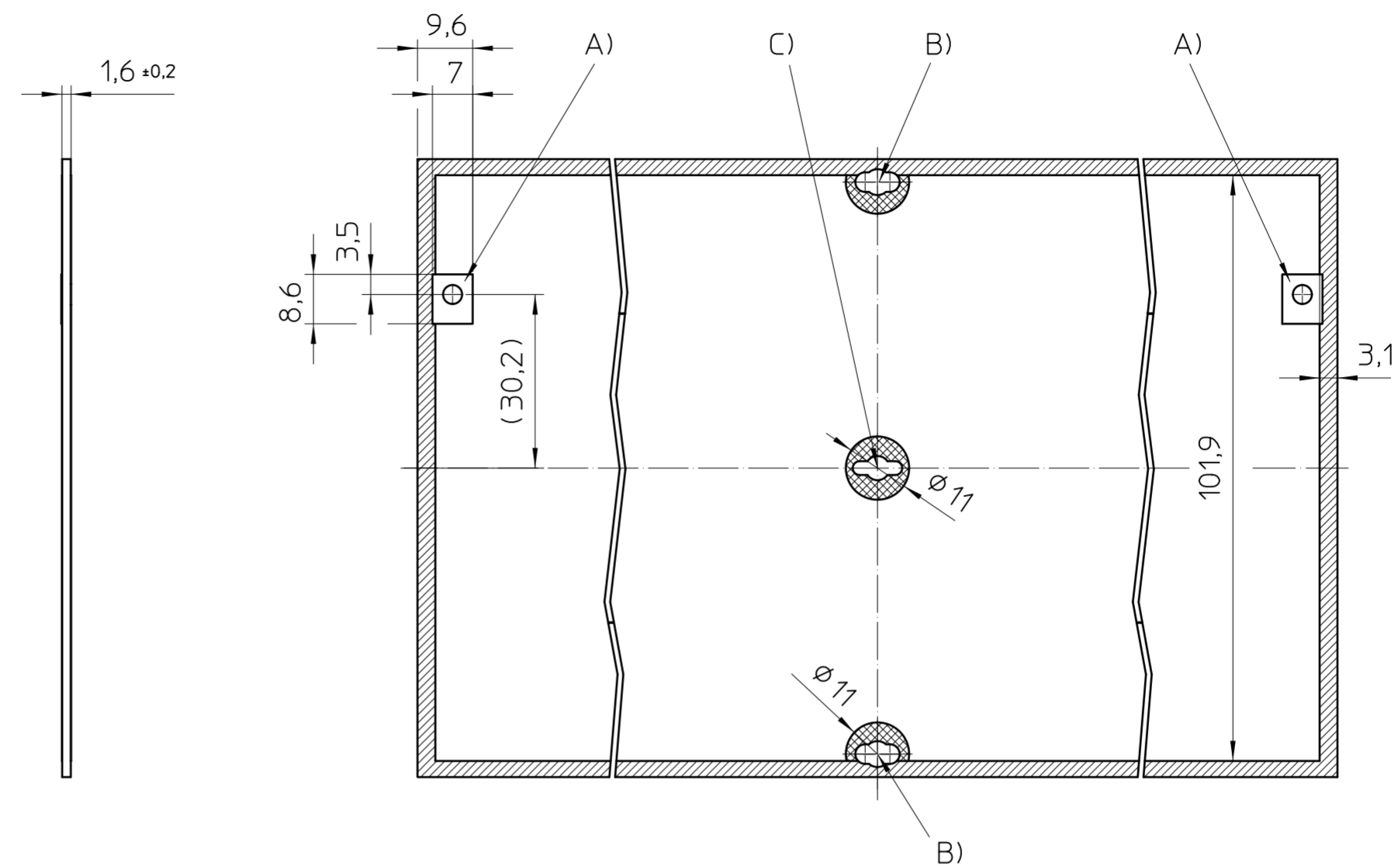
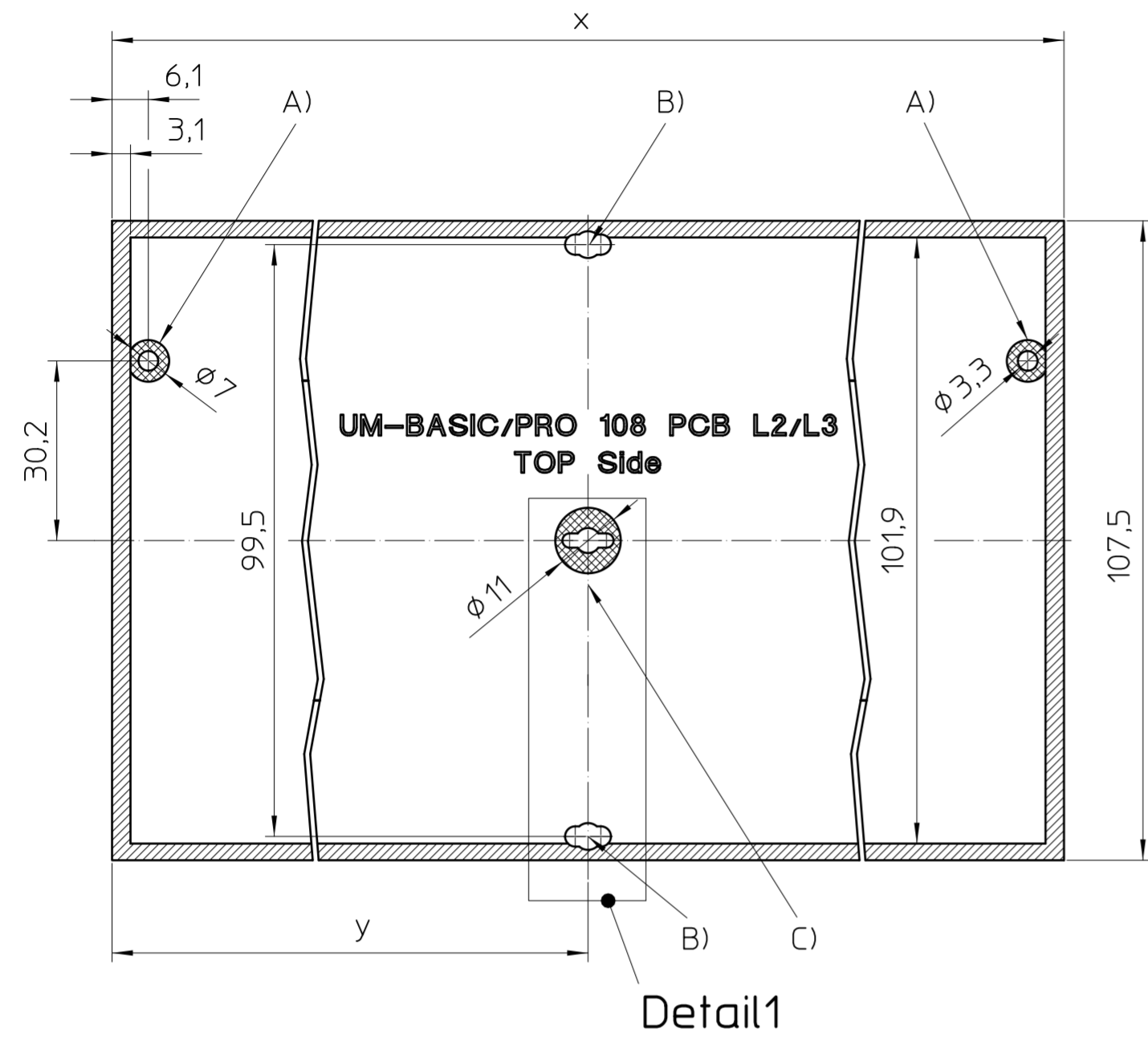
- A) Optional drilling hole, restricted area and recommended Sn-plated pad for UM-PRO PE CONTACT L1
- B) Optional cutout and restricted area for UM-PRO PCB S-LOCK
- C) Optional cutout and restricted area for UM-PRO PCB C-LOCK L1
- X: PCB length (profile length=X-16,2 ; module length=X+3,8)
- Y: Position of optional cutouts with restricted areas ; Range:  $Y=8,6...(X-8,6)$

Transfer or duplication of this document as well as the utilisation or communication of its content are not permitted unless express consent is granted. Violations give rise to claims for damages. All rights reserved in case of patent, utility model or design patent registrations.

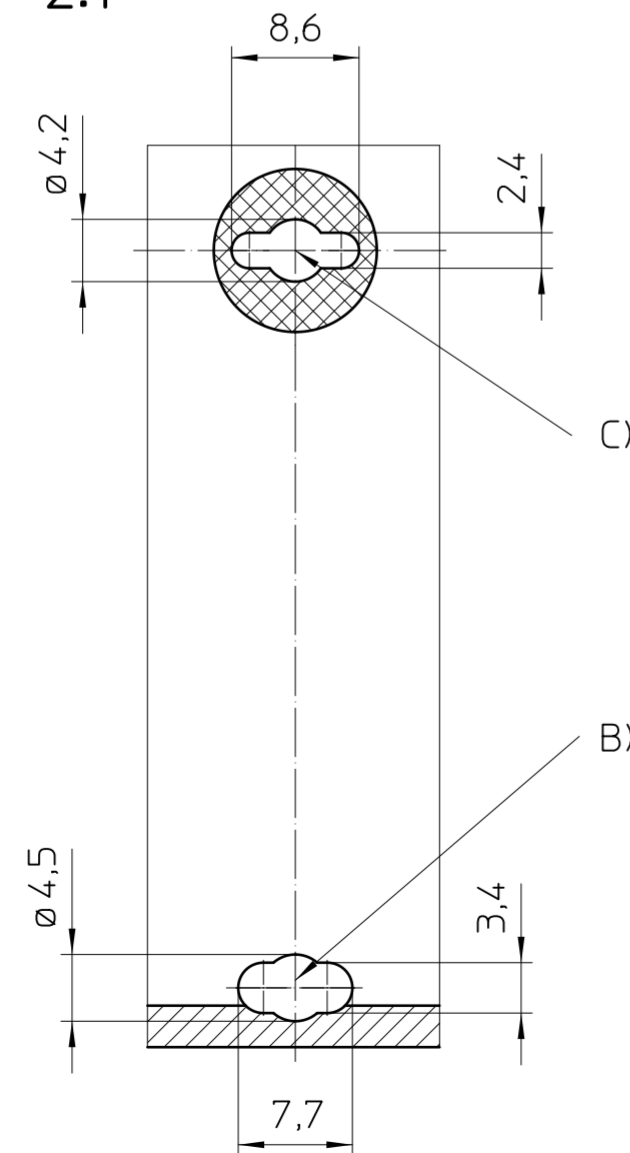
Weitergabe sowie Vervielfältigung dieses Dokuments, Verwertung und Mitteilung seines Inhalts sind verboten, soweit nicht ausdrücklich gestattet. Zuwiderhandlungen verpflichten zu Schadensersatz. Alle Rechte für den Fall der Patent-, Gebrauchsmuster- oder Designeintragung vorbehalten.

	document-No. / RI	date	scale
	01370802 / 00	02.08.2021	1:1
	ident.-No.	document-type	
	1456980	TECDOC 2D_Productdrawing	
page 3 of 6	description UM-PRO-SKT-B108-L120-7035		

# Recommended PCB for: UM-PRO 108 and UM-BASIC 108





Detail1  
2:1



## General Information:

- Simplified representation
- Document excluded from change process
- Linear dimensions [mm]
- Web: [www.phoenixcontact.com](http://www.phoenixcontact.com) webcode: #0313 / #0314

## Addition Information



- General tolerances for PCB: dimensions  $\leq 30$ :  $\pm 0,1/R \pm 0,2/\pm 1^\circ$   
dimensions  $> 30$ :  $\pm 0,15/R \pm 0,2/\pm 1^\circ$   
symmetry: 0,2
-  Restricted area, no components
-  Restricted area, optional

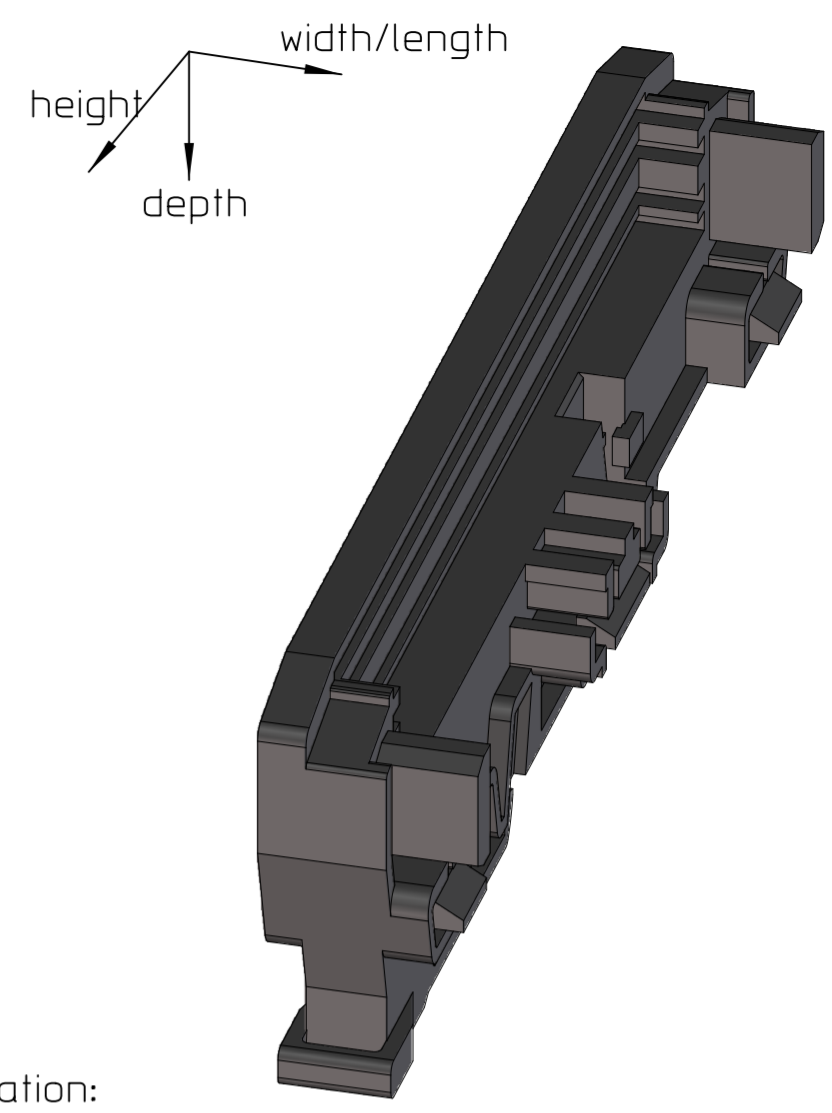
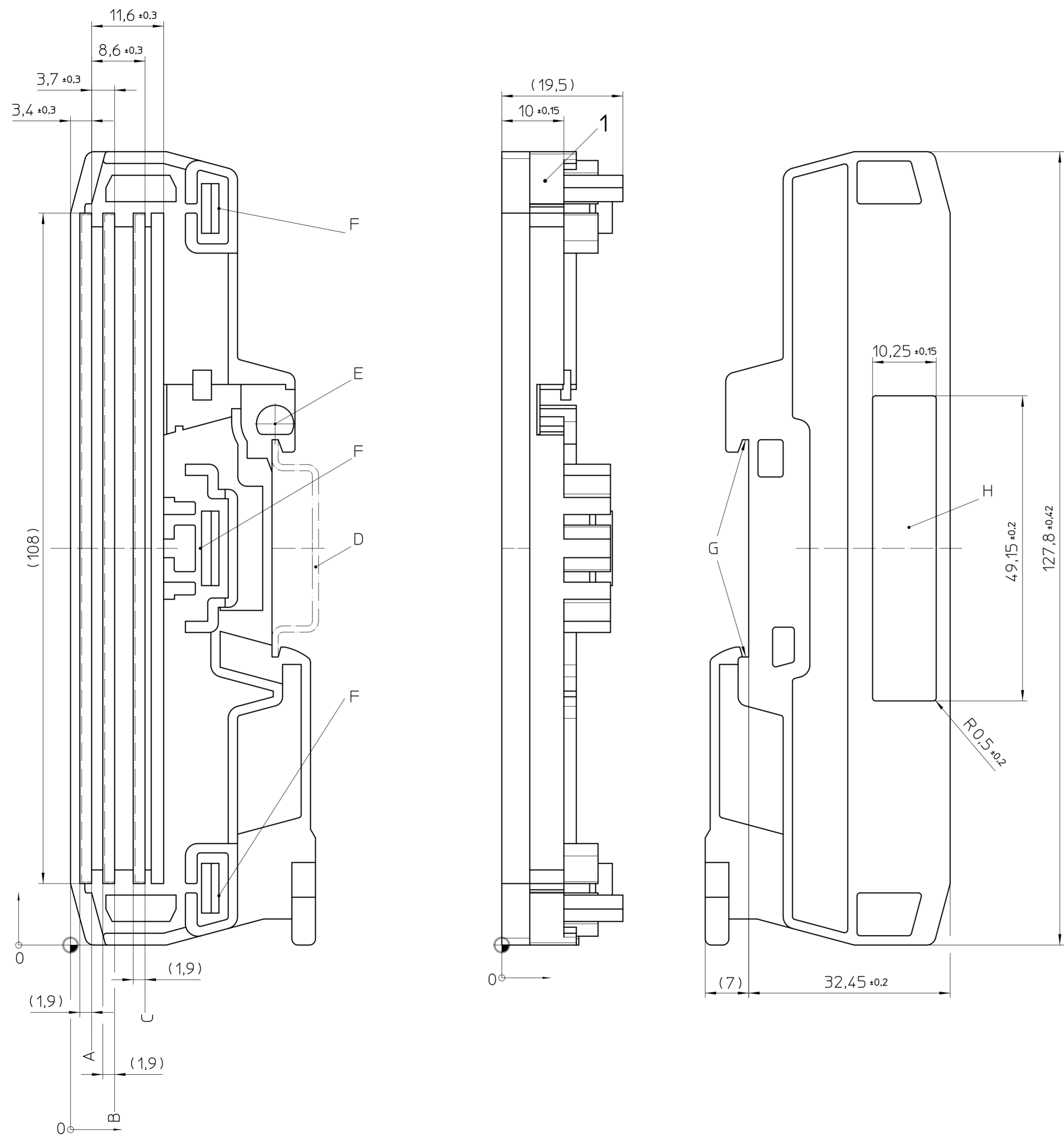
## Additional Information:

- A) optional drilling hole, restricted area and recommended Sn-plated pad for UM-PRO PE CONTACT L2/L3
- B) optional cutout and restricted area for UM-PRO PCB S-LOCK
- C) optional cutout and restricted area for UM-PRO PCB C-LOCK L2/L3
- X: PCB length (profile length= $x-16,2$  ; module length= $x+3,8$ )
- Y: Position of optional cutouts with restricted areas ; Range:  $y=8,6 \dots (x-8,6)$

Transfer or duplication of this document as well as the utilisation or communication of its content are not permitted unless express consent is granted. Violations give rise to claims for damages. All rights reserved in case of patent, utility model or design patent registrations.

Weitergabe sowie Vervielfältigung dieses Dokuments, Verwertung und Mitteilung seines Inhalts sind verboten, soweit nicht ausdrücklich gestattet. Zuwiderhandlungen verpflichten zu Schadensersatz. Alle Rechte für den Fall der Patent-, Gebrauchsmuster- oder Designeintragung vorbehalten.

 DIN A2 	document-No. / RI 01370802 / 00	date 02.08.2021	scale 1:1
	ident.-No. 1456980	document-type TECDOC 2D_Productdrawing	
page 4 of 6	description UM-PRO-SKT-B108-L120-7035		



- General Information:
- Simplified representation
  - Document excluded from change process
  - Linear dimensions [mm]
  - Tolerances apply in a normal climate according to DIN EN ISO 291-23/50-2, PA plastic parts with about 2% (% by weight) moisture content.
  - Workpiece zero point for mechanical processing
  - Tolerances for mechanical processing are ISO 2768-mK
  - Machining radii min. R1, further on request
  - Web: [www.phoenixcontact.com](http://www.phoenixcontact.com) webcode: #0313 / #0314

- Additional Information:
- A) PCB L1
  - B) PCB L2
  - C) PCB L3
  - D) Mounting rail according to DIN EN 60715: TH 35-7,5 or Mounting rail similar to DIN EN 60715: TH 35-15x1,5
  - E) Fix point for UM-PRO PE CONTACT
  - F) Fix point for UM-PRO 108 PROFILE
  - G) Fix point for UM-PRO MOUNT
  - H) Marking area

- Recommended PCB-outline see further documentation

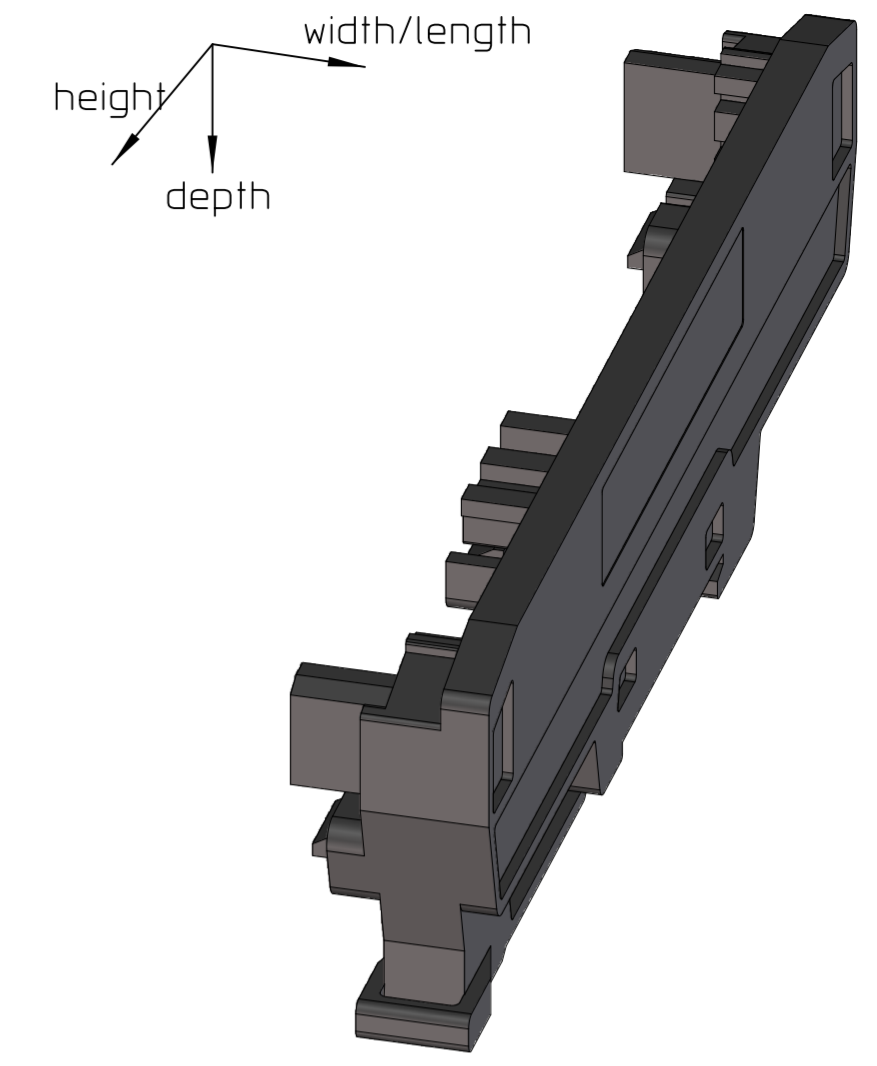
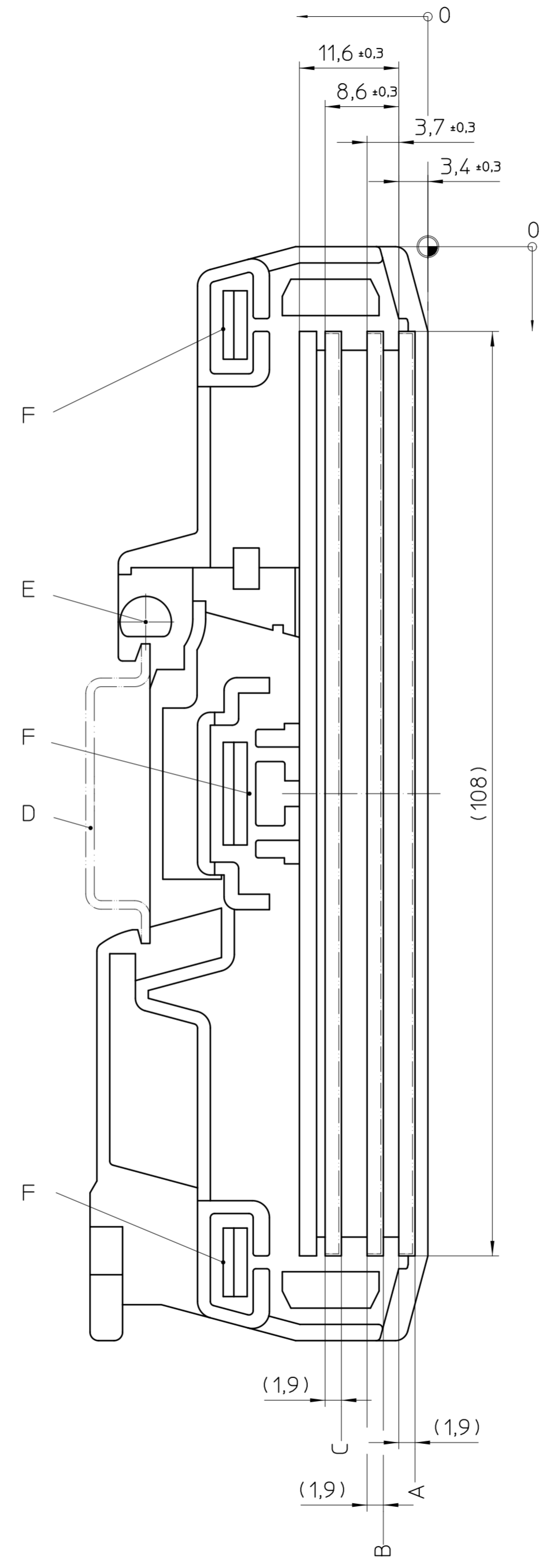
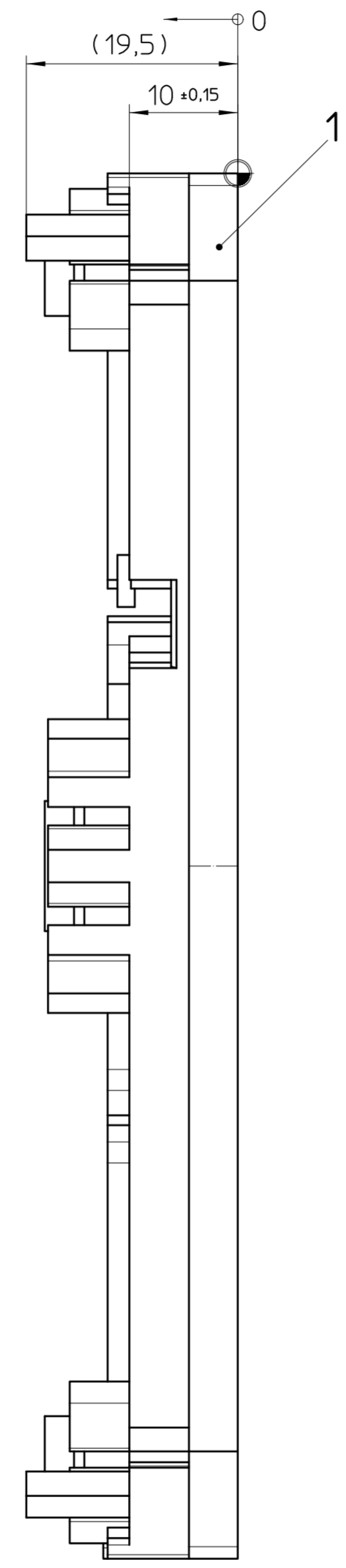
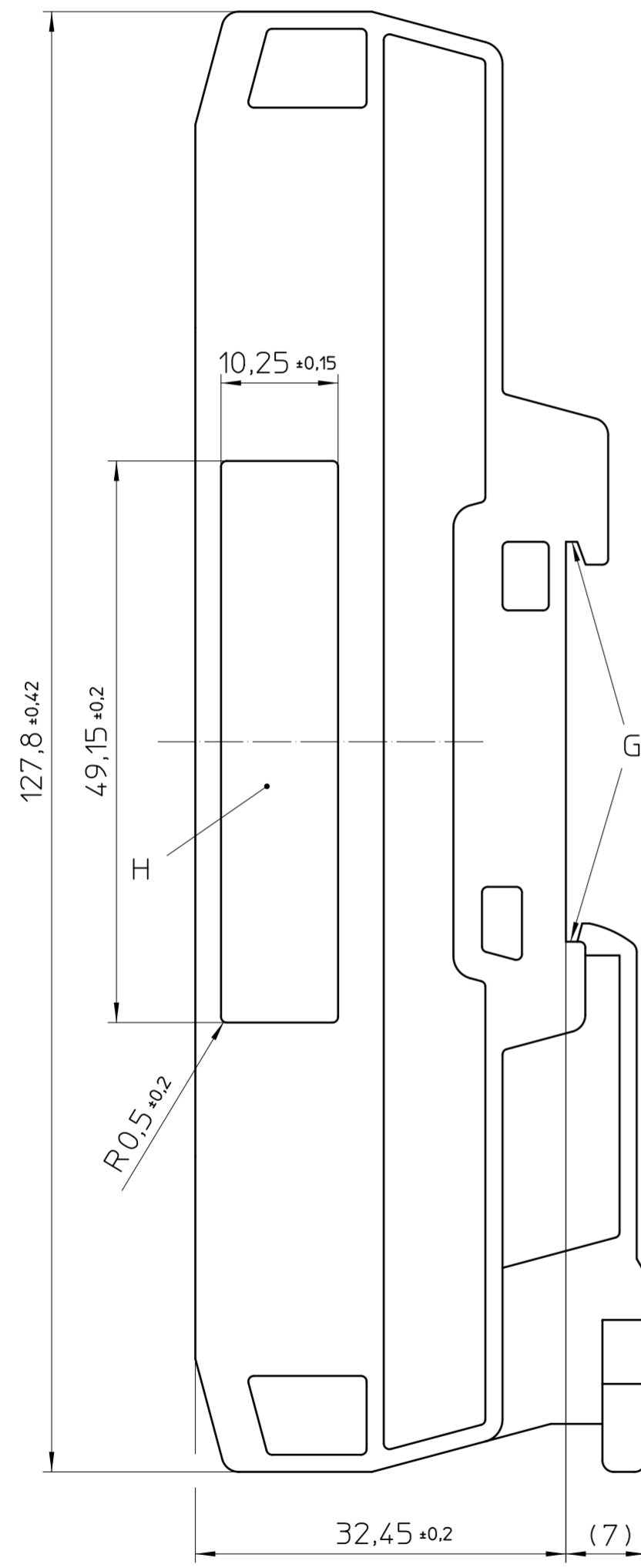
Transfer or duplication of this document as well as the utilisation or communication of its content are not permitted unless express consent is granted. Violations give rise to claims for damages. All rights reserved in case of patent, utility model or design patent registrations.

Weitergabe sowie Vervielfältigung dieses Dokuments, Verwertung und Mitteilung seines Inhalts sind verboten, soweit nicht ausdrücklich gestattet. Zuwiderhandlungen verpflichten zu Schadensersatz. Alle Rechte für den Fall der Patent-, Gebrauchsmuster- oder Designeintragung vorbehalten.

Pos.	QTY	description	material
1	1	LATERAL ELEMENT LEFT	PA
		document-No. / RI	date
DIN A2		01370802 / 00	02.08.2021
		ident.-No.	document-type
		1456980	TECDCO 2D_Productdrawing
		description	
		UM-PRO-SKT-B108-L120-7035	
page 5	of 6		

Transfer or duplication of this document as well as the utilisation or communication of its content are not permitted unless express consent is granted. Violations give rise to claims for damages. All rights reserved in case of patent, utility model or design patent registrations.

Weitergabe sowie Vervielfältigung dieses Dokuments, Verwertung und Mitteilung seines Inhalts sind verboten, soweit nicht ausdrücklich gestattet. Zuwiderhandlungen verpflichten zu Schadensersatz. Alle Rechte für den Fall der Patent-, Gebrauchsmuster- oder Designanmeldung vorbehalten.



General Information:

- Simplified representation
- Document excluded from change process
- Linear dimensions [mm]
- Tolerances apply in a normal climate according to DIN EN ISO 291-23/50-2, PA plastic parts with about 2% (% by weight) moisture content.
- $\oplus$  Workpiece zero point for mechanical processing
- Tolerances for mechanical processing are ISO 2768-mK
- Machining radii min. R1, further on request
- Web: [www.phoenixcontact.com](http://www.phoenixcontact.com) webcode: #0313 / #0314

Additional Information:

- A) PCB L1
  - B) PCB L2
  - C) PCB L3
  - D) Mounting rail according to DIN EN 60715: TH 35-7,5 or Mounting rail similar to DIN EN 60715: TH 35-15x1,5
  - E) Fix point for UM-PRO PE CONTACT
  - F) Fix point for UM-PRO 108 PROFILE
  - G) Fix point for UM-PRO MOUNT
  - H) Marking area
- Recommended PCB-outline see further documentation

Pos.	QTY	Description	Material
1	1	LATERAL ELEMENT RIGHT	PA
		document-No. / RI	date
DIN A2		01370802 / 00	02.08.2021
		ident.-No.	document-type
		1456980	TECDCOC 2D_Productdrawing
		description	
		UM-PRO-SKT-B108-L120-7035	
page 6	of 6		