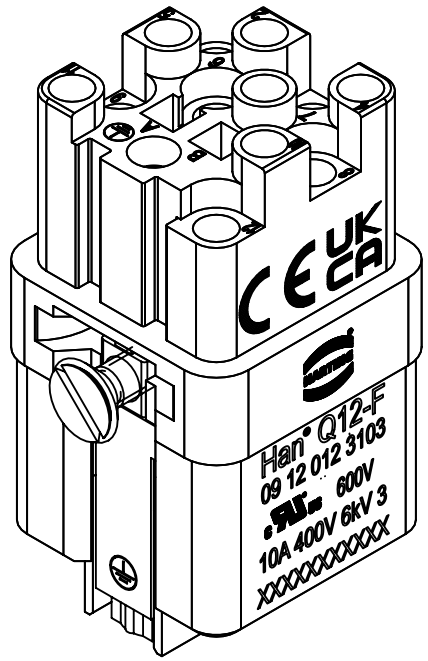


insert fixing screw M3 (IP 65/67)
separately enclosed



Coating	A=	mm ²	V=	mm ³	m=	g	Mat.
	All Dimensions in mm Original Size DIN A4		Scale 2:1	Free size tol.			Ref.
	All rights reserved Department EL PD		Created by 100887	Inspected by SUNDERMEIER	Standardisation	Date 2022-10-28	State Final Release
HARTING D-32339 Espelkamp			Title Han Q 12/0 FEMALE W. SCREW F. IP65/67			Doc-Key / ECM-Nr. 100196643/UGD/003/C 500000225850	
			Type TB	Number 09 12 012 3103			Rev. C
						Page 1/1	