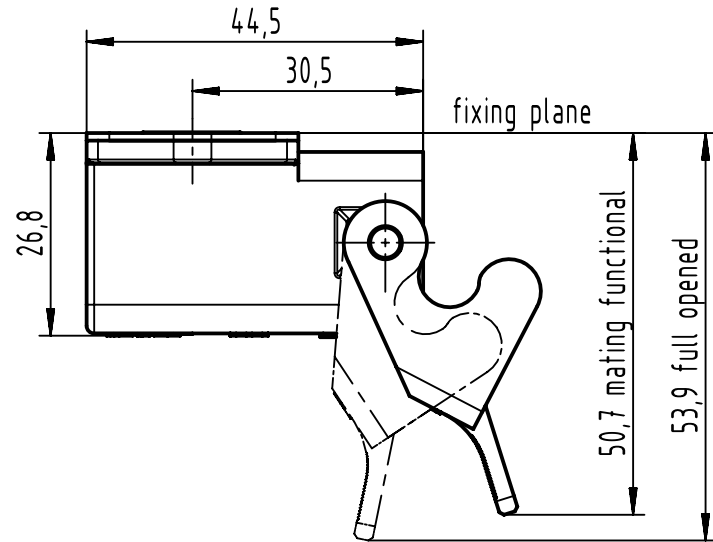
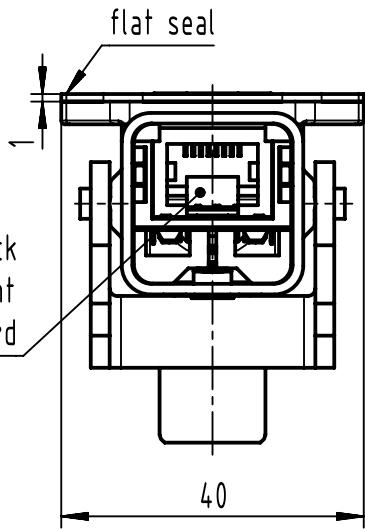
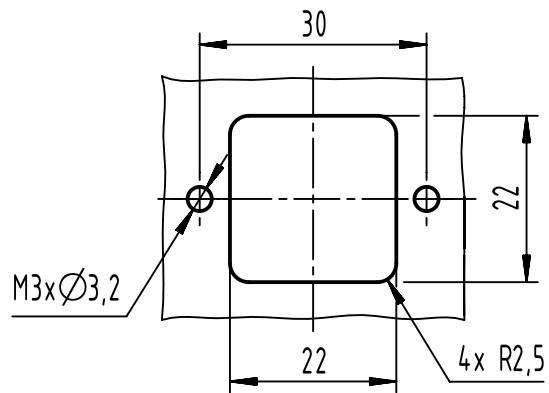


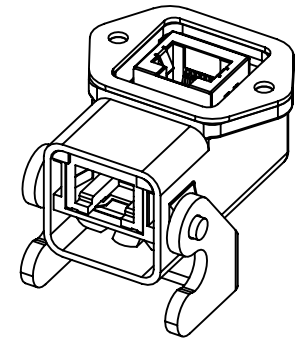
IEC 60603-7
SMC modular jack
12mm max. height
above PCB-Board




recommended panel
cutout dimension



Matable with IEC 61076-3-106 variant 05
Panel feed through pitch on panel = 41mm



| | | | | | | | |
|---|---|--|--------------------------|---------------------------|--------------------|--|-------------|
|  | All rights reserved Department EL PD | All Dimensions in mm Original Size DIN A4 | | Scale 1:1 | Free size tol. | Ref. Sub. | |
| | | Created by BALSAN | Inspected by PRIESTER | Standardisation 302077 | Date 2021-02-15 | State Final Release | |
| HARTING D-32339 Espelkamp | | Title Han3A RJ45 Cat5 PFT 8p angled plastic | | | | Doc-Key / ECM-Nr. 100229083/UGD/002/B 500000188678 | |
| | | Type TB | Number 09452251108 | | | Rev. B | Page 1/1 |