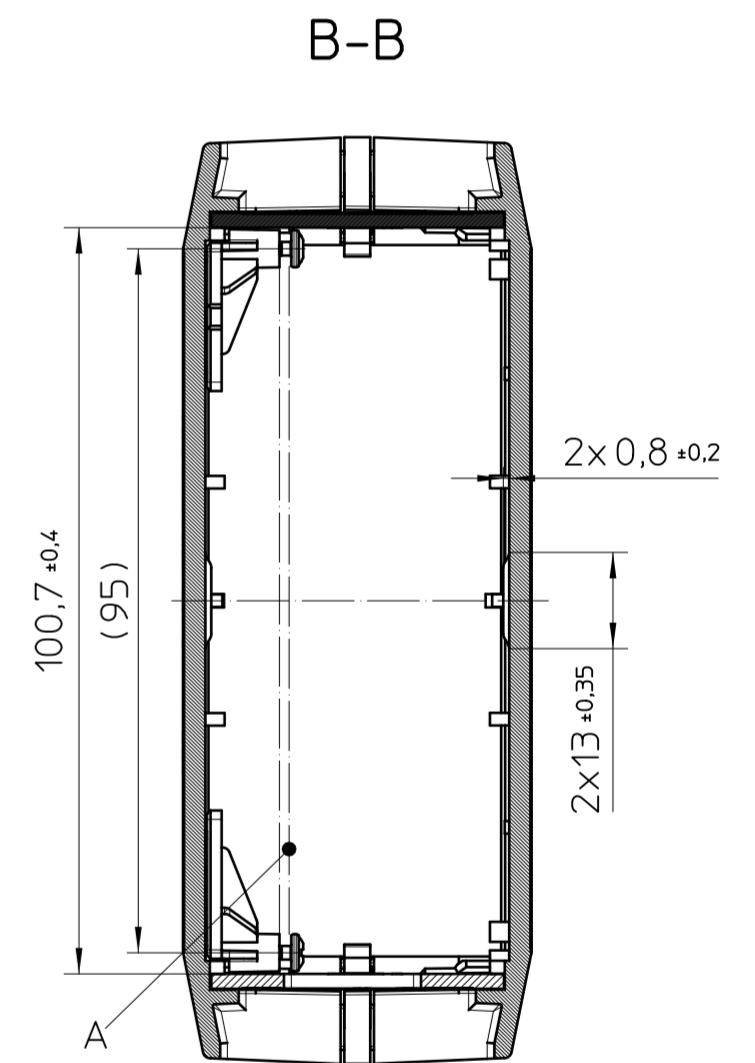
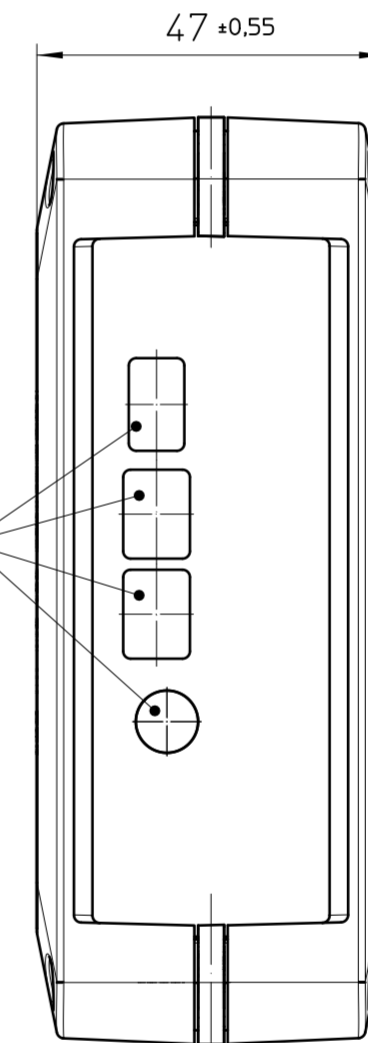
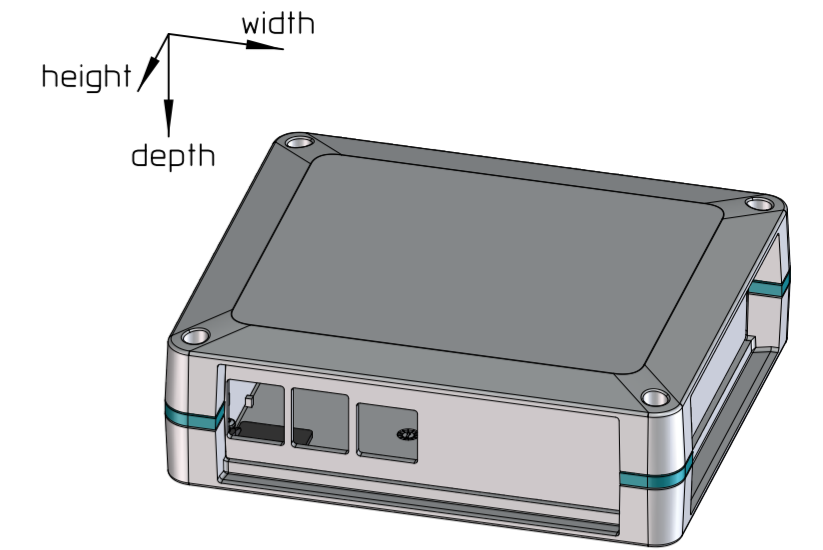
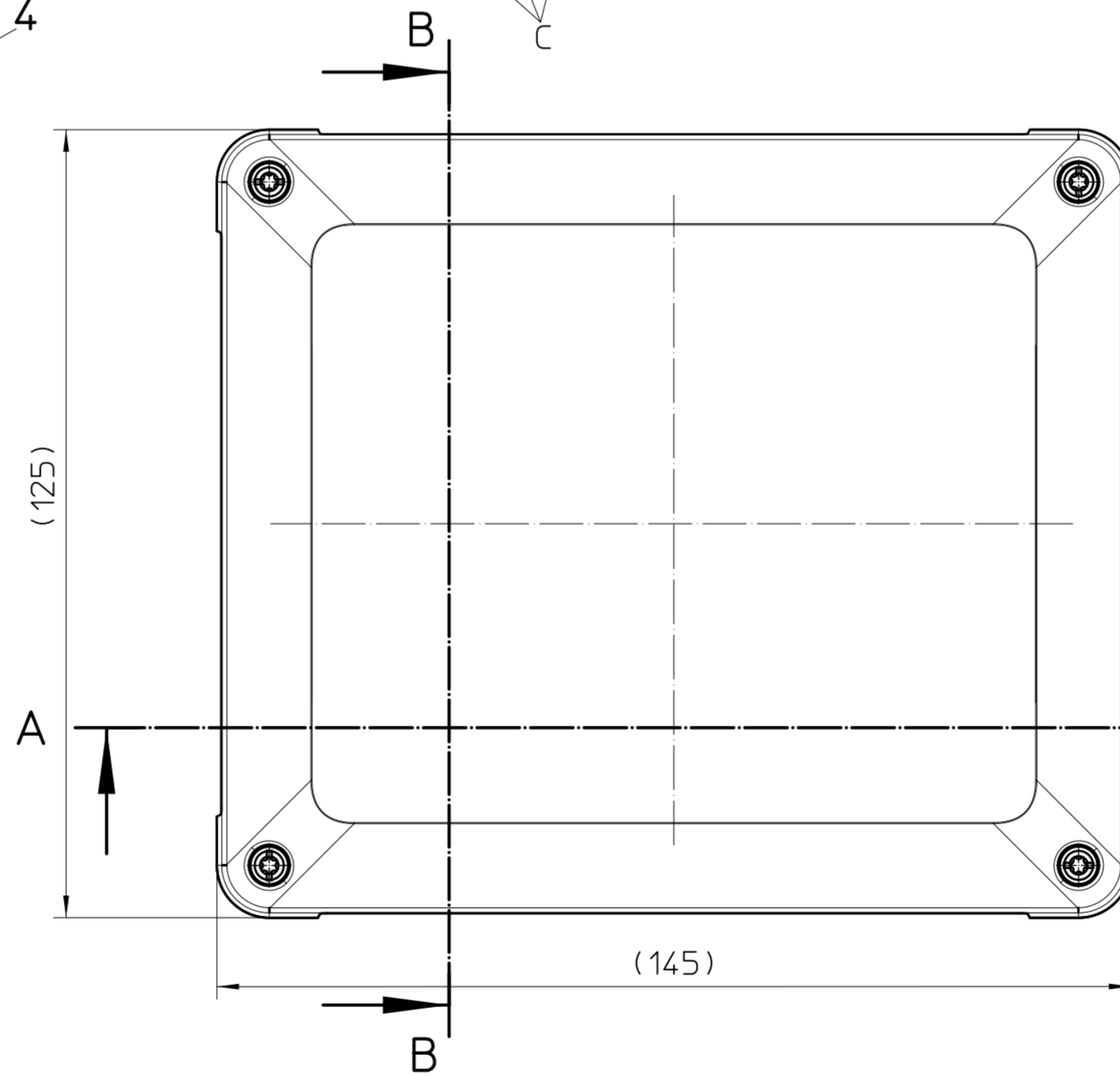
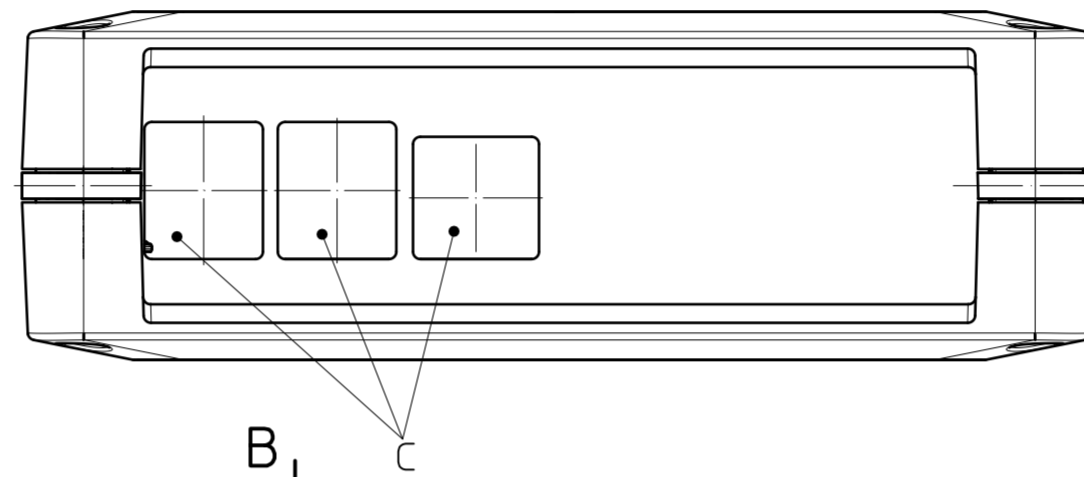
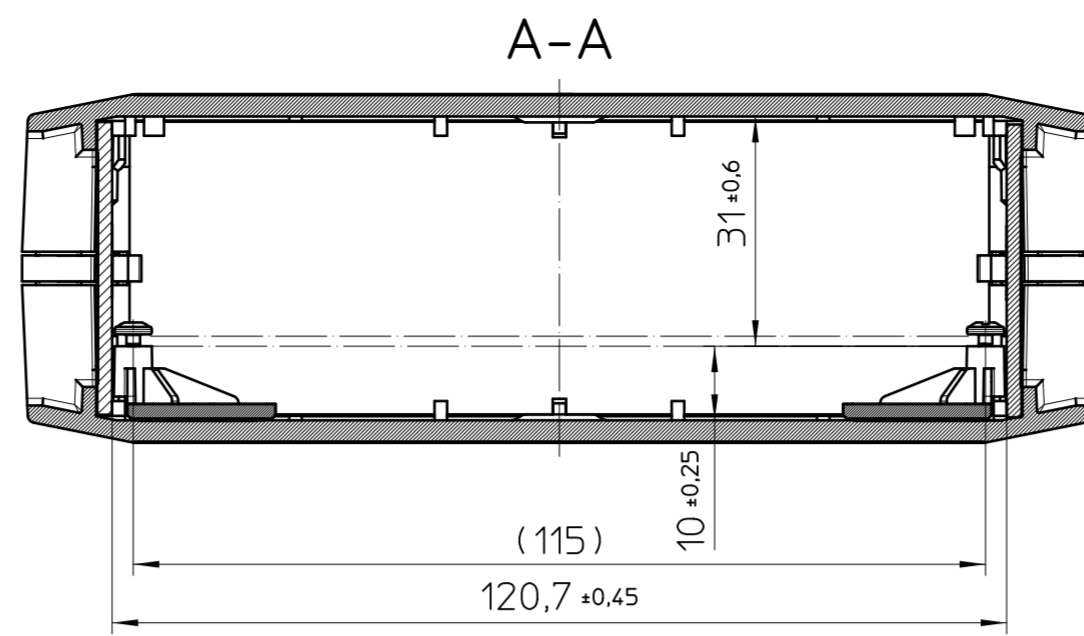
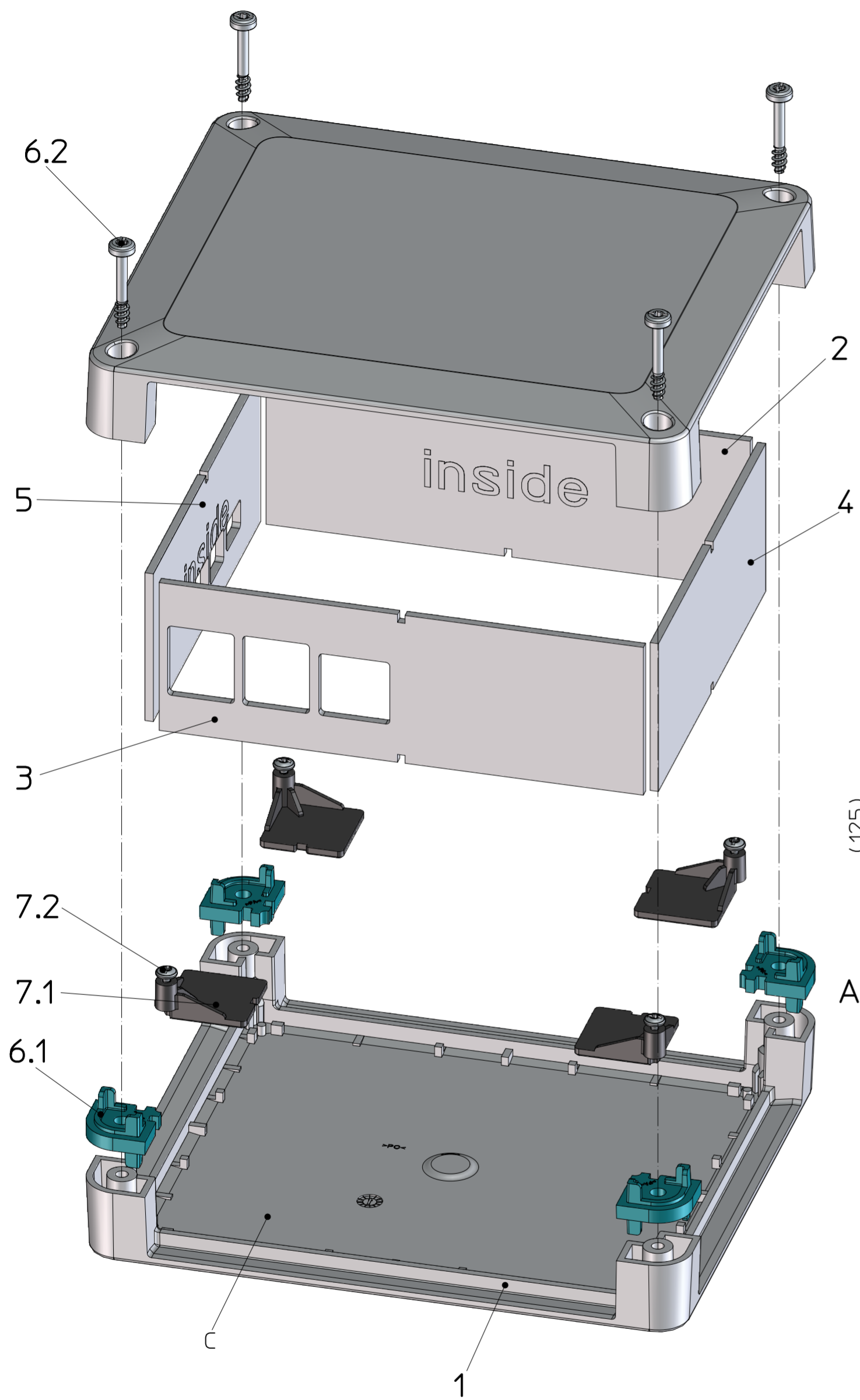


Transfer or duplication of this document as well as the utilisation or communication of its content are not permitted unless express consent is granted. Violations give rise to claims for damages. All rights reserved in case of patent, utility model or design patent registrations. Tolerance specifications do not include clearances inherent in the design.

Weitergabe sowie Vervielfältigung dieses Dokuments, Verwertung und Mitteilung seines Inhalts sind verboten, soweit nicht ausdrücklich gestattet. Zuwiderhandlungen verpflichten zu Schadensersatz. Alle Rechte für den Fall der Patent-, Gebrauchsmuster- oder Designeintragung vorbehalten. Bauartbedingtes Spiel ist in den Toleranzangaben nicht berücksichtigt.



General Information:

- Simplified representation, exemplary shown in gray and for Corner Connector (6.1) turquoise and for Glue Dome (7.1) black
- Tolerances apply in a normal climate according to DIN EN ISO 291-23/50-2, PA plastic parts with about 2% (% by weight) moisture content.
- Web: www.phoenixcontact.com webcode: #0853

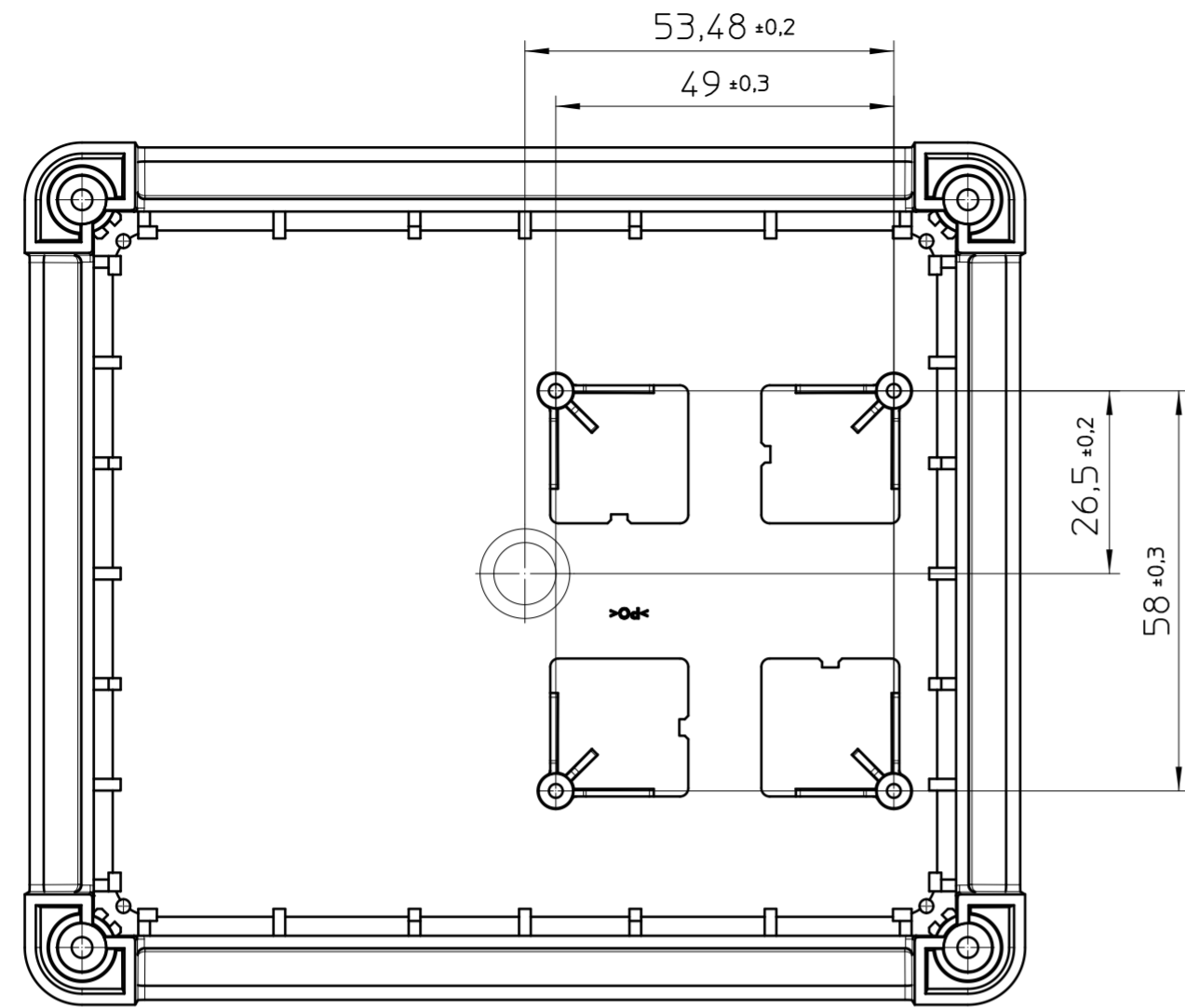
Additional Information:

- A. PCB t=0,8-3mm
- B. Free position for UCS GD (Pos.7.1+7.2) example position for max. PCB
- C. Cut-out RPI4B

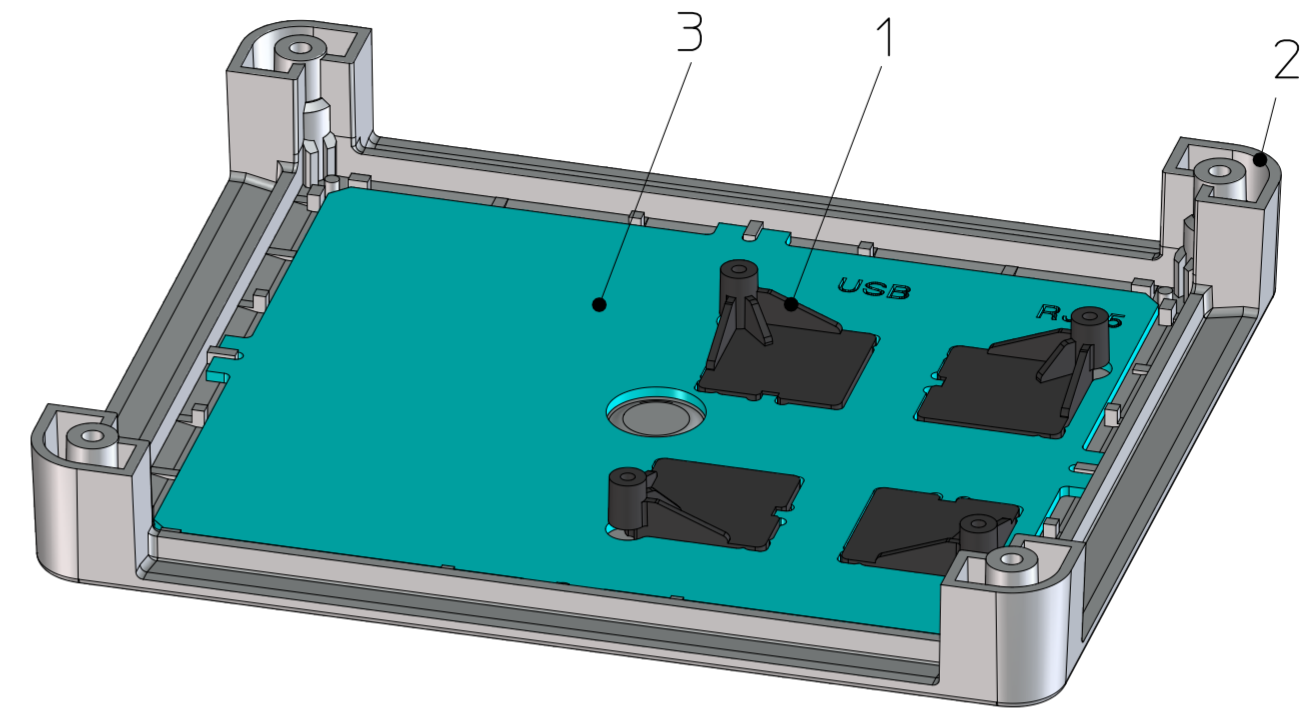
KIT (not mounted)			
Pos.	QTY	Description	Item number
1	2	HALF HOUSING 145-125	2203351
2	1	SIDE WALL 145 FLAT	2203372
3	1	SIDE WALL 145 FLAT-RPI4B-RJ45-USB	
4	1	SIDE WALL 125 FLAT	2203364
5	1	SIDE WALL 125 FLAT RPI4B-HDMI	
6	1	CORNER CONNECTOR KIT	2203404
6.1	4	CORNER CONNECTOR	
6.2	4	SCREW PT 3,4X40 TORX	
7	1	GLUE DOME KIT	2203401
7.1	4	GLUE DOME	
7.2	4	SCREW PT 2,5X8 TORX	

	document-no. / ri	article-no.	scale	- Simplified representation - Document excluded from change process - Linear dimensions (mm)
	01234847 / 02	1139240	1:1	
	date	document-type	description UCS 145-125-F-GD-RPI4B 7035	
	14.03.2024	TECDOC 2D_Productdrawing		
page 1	of 4			

Positioning UCS GD in UCS HH 145-125 (pre-stage)



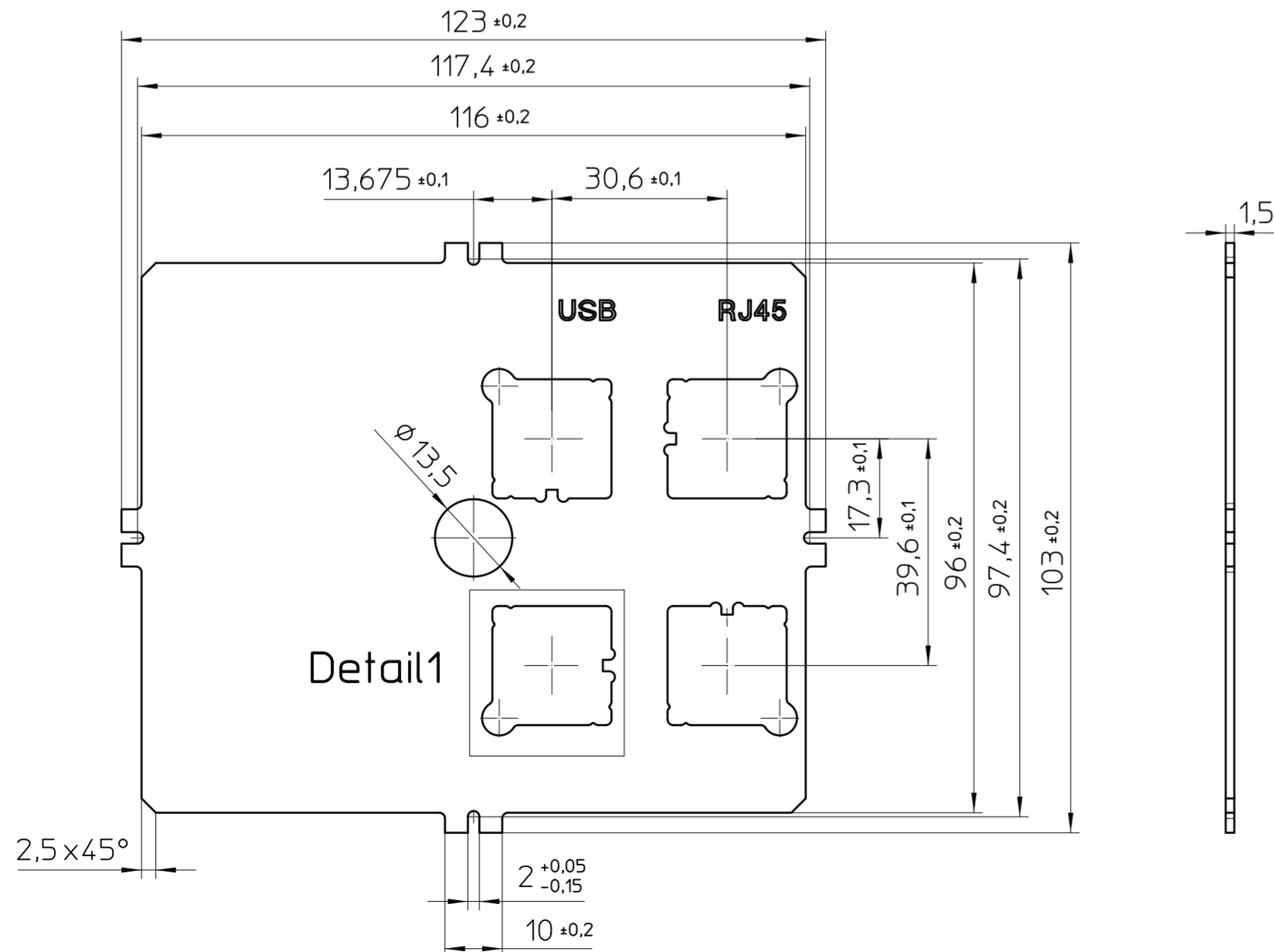
Mounting information for UCS GD



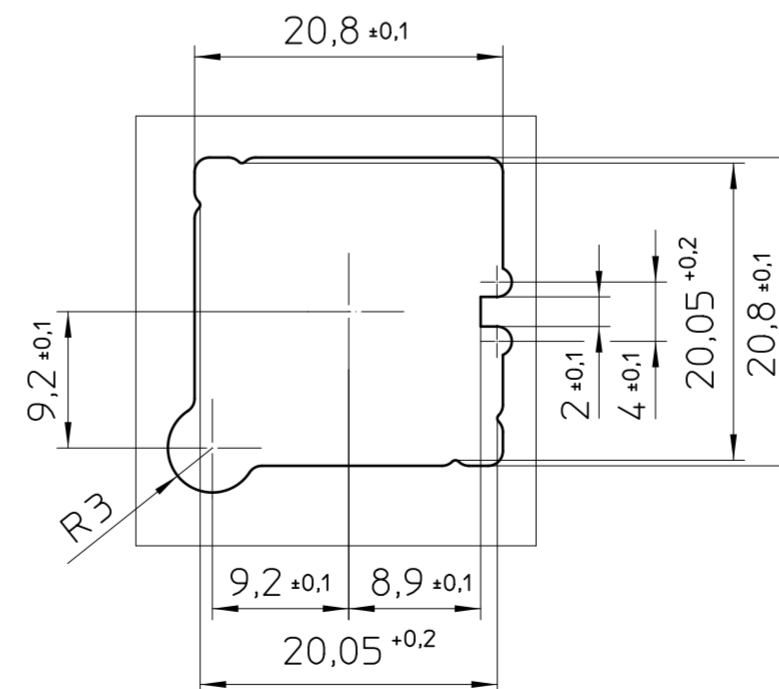
Transfer or duplication of this document as well as the utilisation or communication of its content are not permitted unless express consent is granted. Violations give rise to claims for damages. All rights reserved in case of patent, utility model, or design patent registrations. Tolerance specifications do not include clearances inherent in the design.

Weitergabe sowie Vervielfältigung dieses Dokuments, Verwertung und Mitteilung seines Inhalts sind verboten, soweit nicht ausdrücklich gestattet. Zuwiderhandlungen verpflichten zu Schadensersatz. Alle Rechte für den Fall der Patent-, Gebrauchsmuster- oder Designeintragung vorbehalten. Bauabfertigungsspiel ist in den Toleranzangaben nicht berücksichtigt.

Recommended template for UCS GD RPI 2B/3B/4B



Detail1 2:1



General Information:

- Tolerances and dimensions apply in a normal climate according to DIN EN ISO 291-23/50-2.
- Tolerances for mechanical processing are ISO 2768-m
- Symmetry: 0,2
- Machining radii min. R1

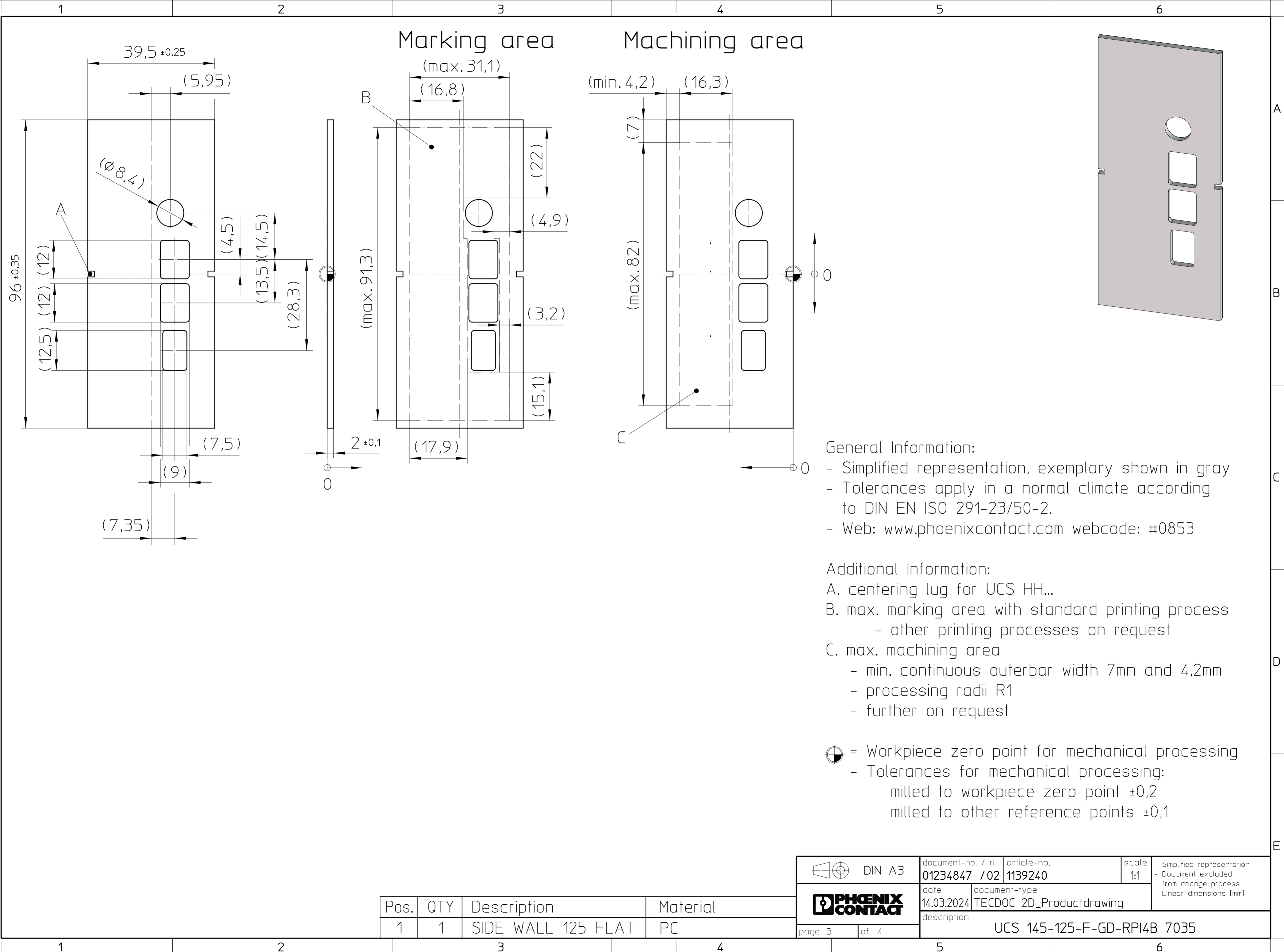
3. recommended template for UCS HH 145-125

KIT (not mounted)		
Pos.	QTY	Description
1	4	UCS GD
2	1	UCS HH 145-125

	document-no. / ri	article-no.	scale	- Simplified representation - Document excluded from change process - Linear dimensions (mm)
	01234847 / 02	1139240	1:1	
	date	document-type	description UCS 145-125-F-GD-RPI4B 7035	
	14.03.2024	TECDOC 2D_Productdrawing		
page 2	of 4			

Transfer or duplication of this document as well as the utilisation or communication of its content are not permitted unless express consent is granted. Violations give rise to claims for damages. All rights reserved in case of patent, utility model or design patent registrations. Tolerance specifications do not include clearances inherent in the design.

Weitergabe sowie Vervielfältigung dieses Dokuments, Verwertung und Mitteilung seines Inhalts sind verboten, soweit nicht ausdrücklich gestattet. Zuwiderhandlungen verpflichten zu Schadensersatz. Alle Rechte für den Fall der Patent-, Gebrauchsmuster- oder Designeintragung vorbehalten. Bauartbedingtes Spiel ist in den Toleranzangaben nicht berücksichtigt.



General Information:

- Simplified representation, exemplary shown in gray
- Tolerances apply in a normal climate according to DIN EN ISO 291-23/50-2.
- Web: www.phoenixcontact.com webcode: #0853

Additional Information:

- A. centering lug for UCS HH...
- B. max. marking area with standard printing process
 - other printing processes on request
- C. max. machining area
 - min. continuous outerbar width 7mm and 4,2mm
 - processing radii R1
 - further on request

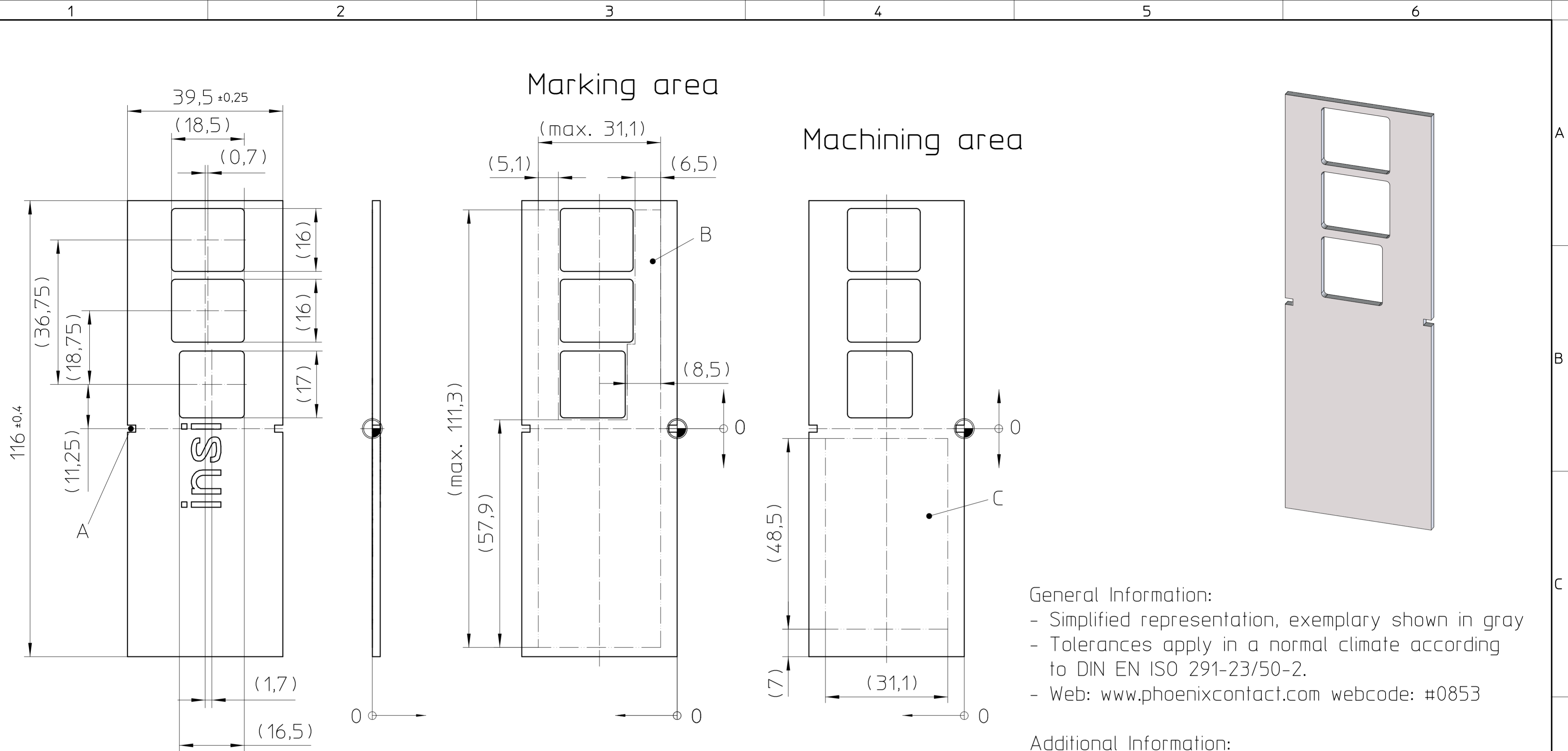
- ⊕ = Workpiece zero point for mechanical processing
- Tolerances for mechanical processing:
 - milled to workpiece zero point ±0,2
 - milled to other reference points ±0,1

	document-no. / ri	article-no.	scale	- Simplified representation - Document excluded from change process - Linear dimensions [mm]
	01234847 / 02	1139240	1:1	
	date	document-type	UCS 145-125-F-GD-RPI4B 7035	
	14.03.2024	TECDCOC 2D_Productdrawing		
page 3	of 4	description		

Pos.	QTY	Description	Material
1	1	SIDE WALL 125 FLAT	PC

Transfer or duplication of this document as well as the utilisation or communication of its content are not permitted unless express consent is granted. Violations give rise to claims for damages. All rights reserved in case of patent, utility model or design patent registrations. Tolerance specifications do not include clearances inherent in the design.

Weitergabe sowie Vervielfältigung dieses Dokuments, Verwertung und Mitteilung seines Inhalts sind verboten, soweit nicht ausdrücklich gestattet. Zuwiderhandlungen verpflichten zu Schadenersatz. Alle Rechte für den Fall der Patent-, Gebrauchsmuster- oder Designeintragung vorbehalten. Bauartbedingtes Spiel ist in den Toleranzangaben nicht berücksichtigt.



General Information:

- Simplified representation, exemplary shown in gray
- Tolerances apply in a normal climate according to DIN EN ISO 291-23/50-2.
- Web: www.phoenixcontact.com webcode: #0853

Additional Information:

- A. centering lug for UCS HH...
- B. max. marking area with standard printing process
 - other printing processes on request
- C. max. machining area
 - processing radii R1
 - further on request

⊕ = Workpiece zero point for mechanical processing
 - Tolerances for mechanical processing:
 milled to workpiece zero point ±0,2
 milled to other reference points ±0,1

Pos.	QTY	description	material
1	1	SIDE WALL 145 FLAT	PC

	document-no. / ri	article-no.	scale	- Simplified representation - Document excluded from change process - Linear dimensions [mm]
	01234847 / 02	1139240	1:1	
	date	document-type		
	14.03.2024	TECDCOC 2D_Productdrawing		
page 4 of 4	description UCS 145-125-F-GD-RPI4B 7035			