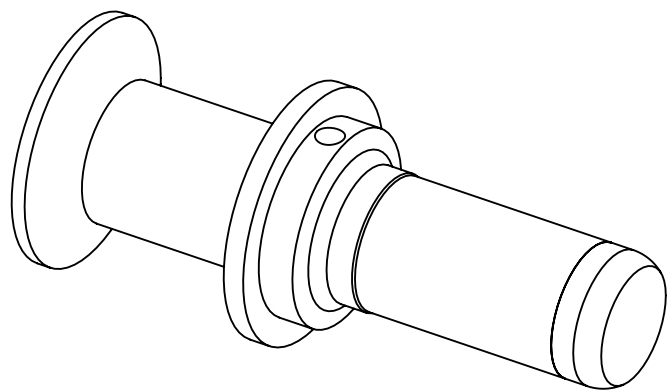
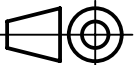



assembly notes see catalog
 crimp zone acc. to DIN EN 46235, indicator 10
 for stranded fine wire acc. to BDE 0295 class 5/ IEC 60228 class 5
 wire gauge: 25 mm²
 stripping length: 20 mm



	All Dimensions in mm Original Size DIN A4	Scale	Free size tol.		Ref.	
		2:1			Sub.	
	All rights reserved Department EL PD	Created by	Inspected by	Standardisation	Date	State
		HELLMANN	100219		2023-10-17	Final Release
HARTING D-32339 Espelkamp		Title			Doc-Key / ECM-Nr.	
		Han TC200 M-contact 25mm ² protected			100576204/UGD/001/C 500000255546	
		Type	Number		Rev.	Page
		TB	09 11 000 7120		C	1/1